



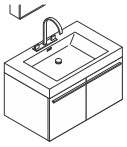
FVN8090

VISTA

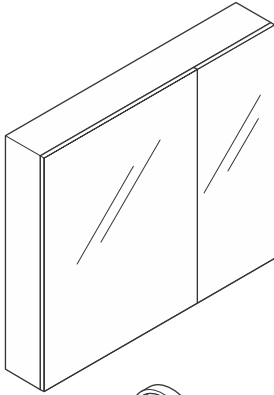
INSTALLATION GUIDE

CONTENTS:

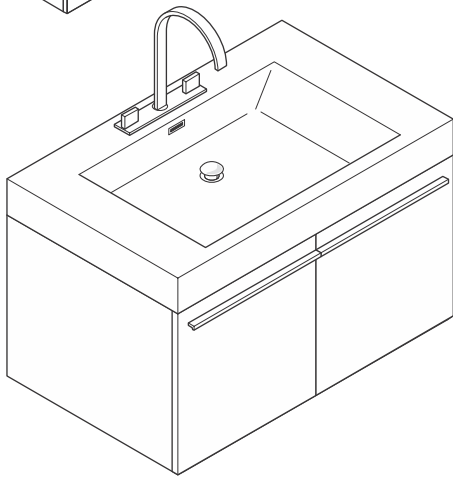
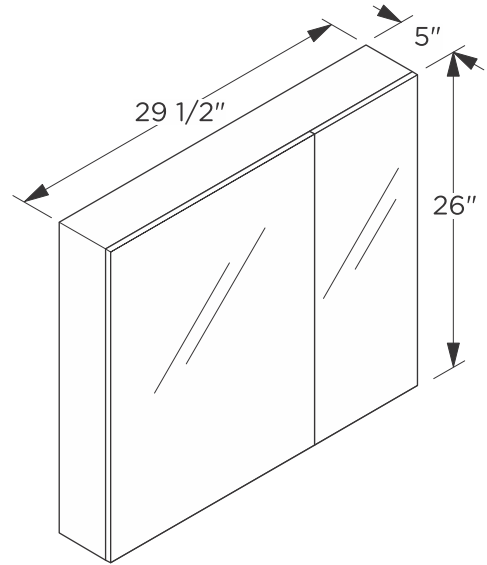
Cabinet.....	(FCB8090).....	PAGE 3
Sink.....	(FVS8090).....	PAGE 3
Med. Cabinet.....	(FMC8090).....	PAGE 4



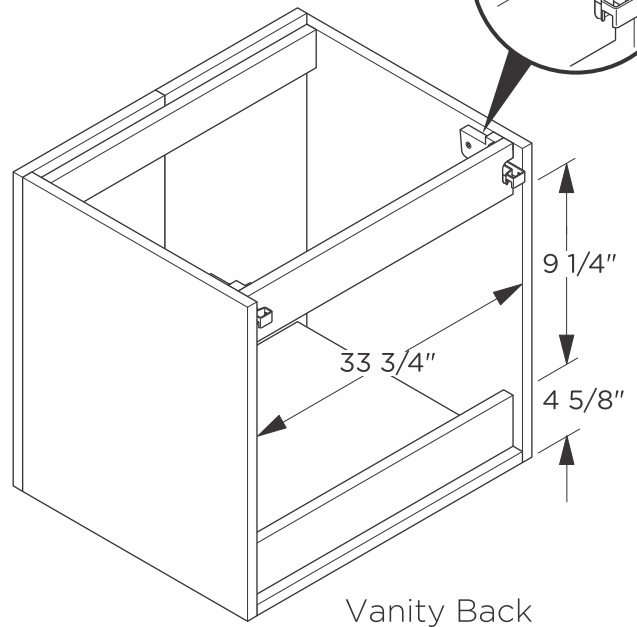
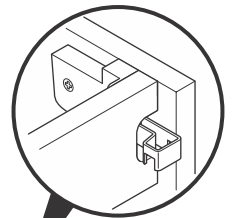
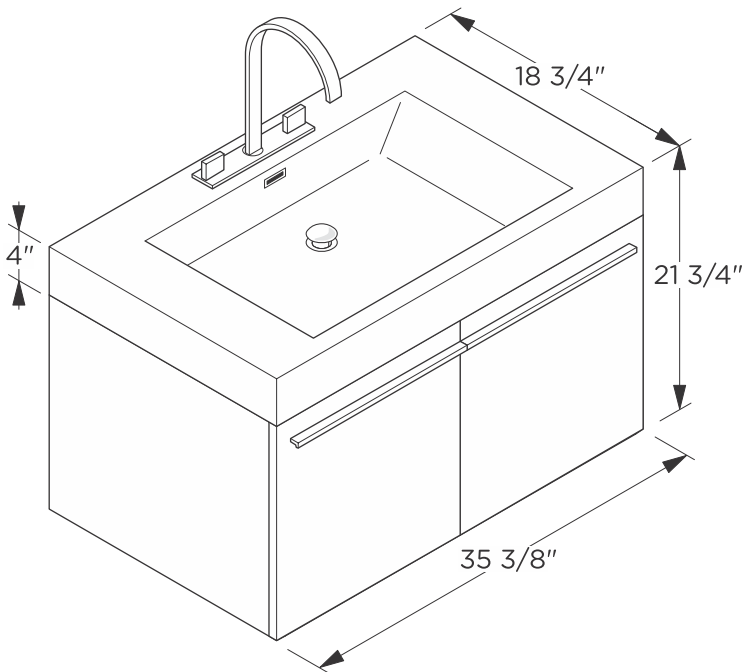
FVN8090
VISTA
INSTALLATION GUIDE



Medicine Cabinet



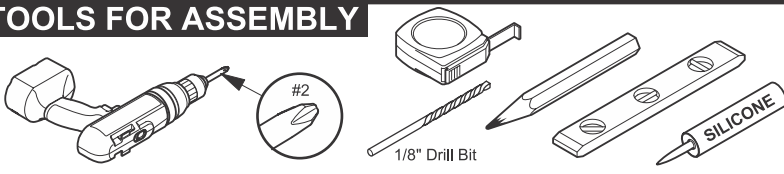
Vanity Front



Vanity Back

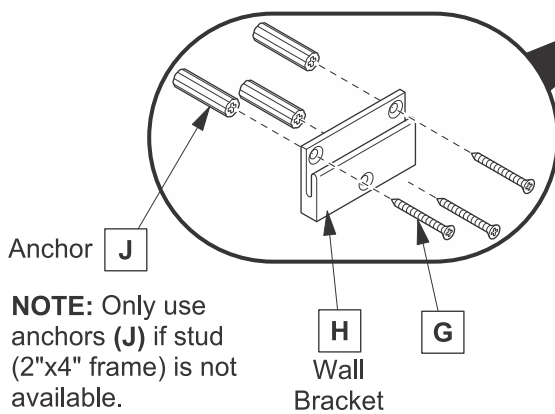
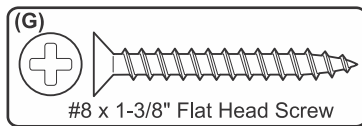
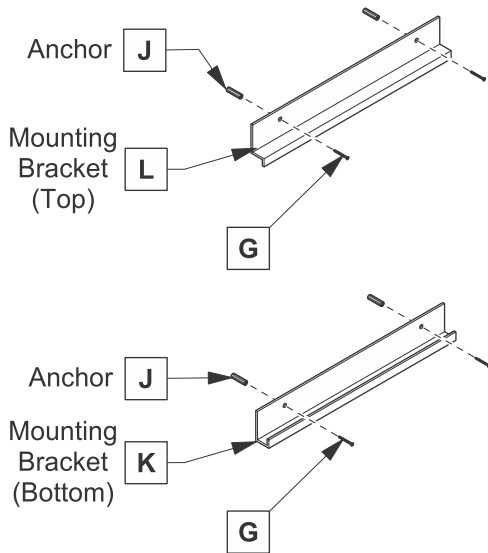
NOTE: ALL DIMENSIONS & SPECIFICATIONS ARE APPROXIMATE AND SUBJECT TO CHANGE WITHOUT NOTICE.

TOOLS FOR ASSEMBLY

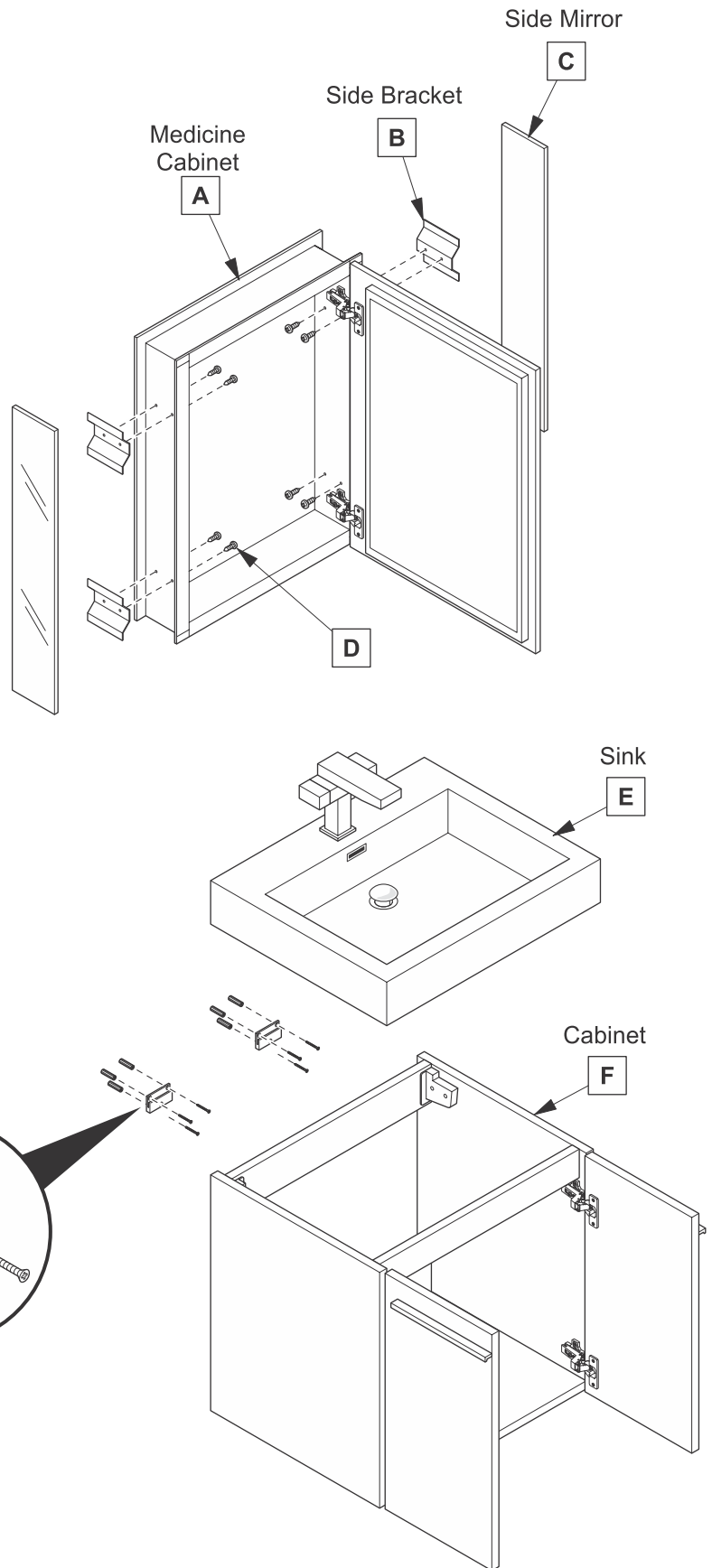


PARTS

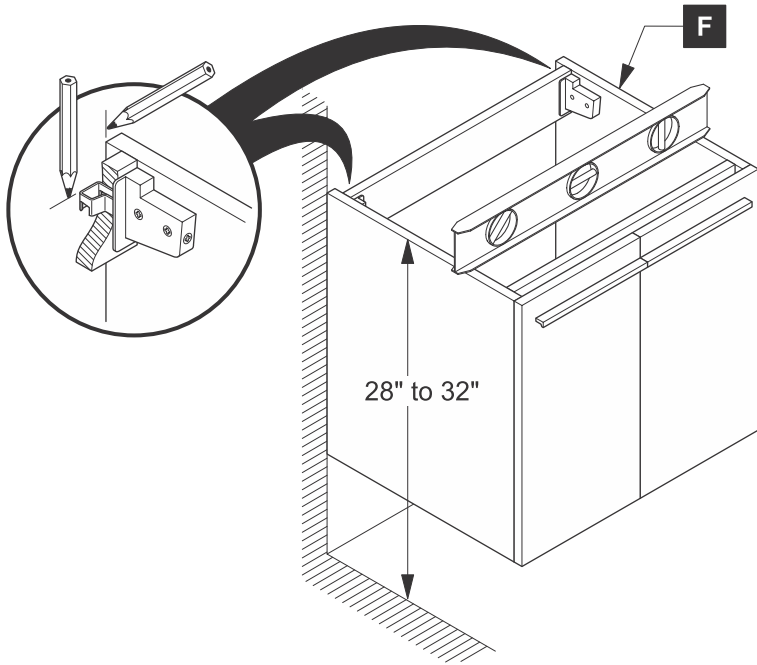
PARTS



NOTE: Only use anchors (**J**) if stud (2"x4" frame) is not available.

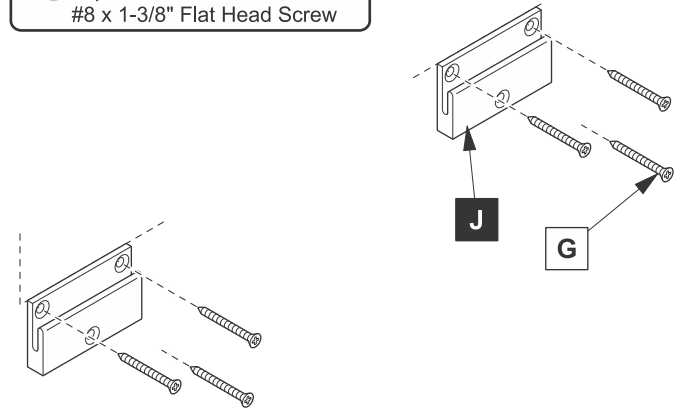
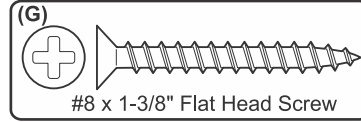


1 Locate cabinet (C) & mark location

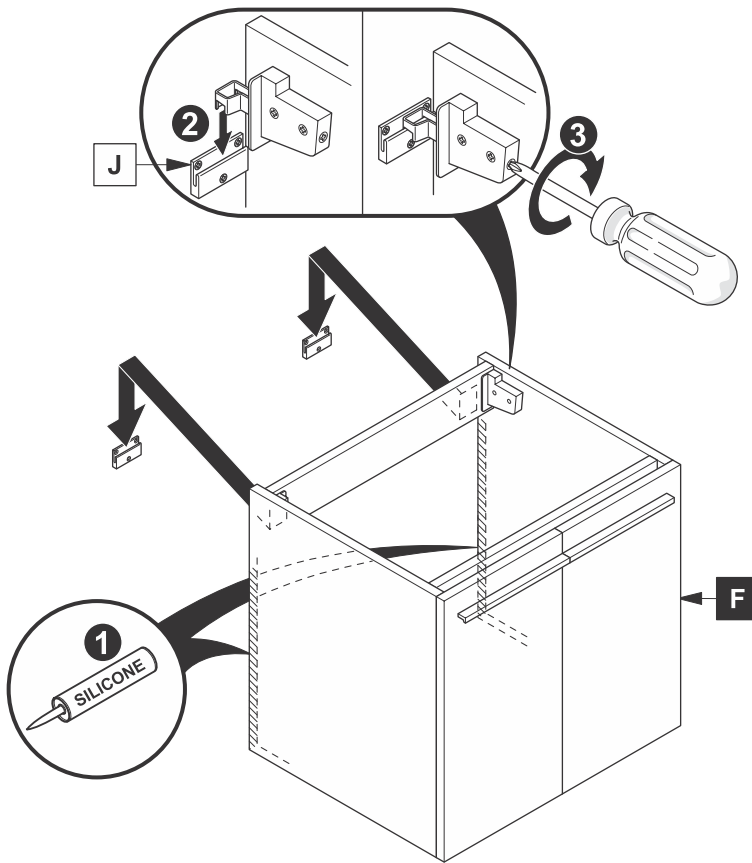


2 Install wall brackets (J)

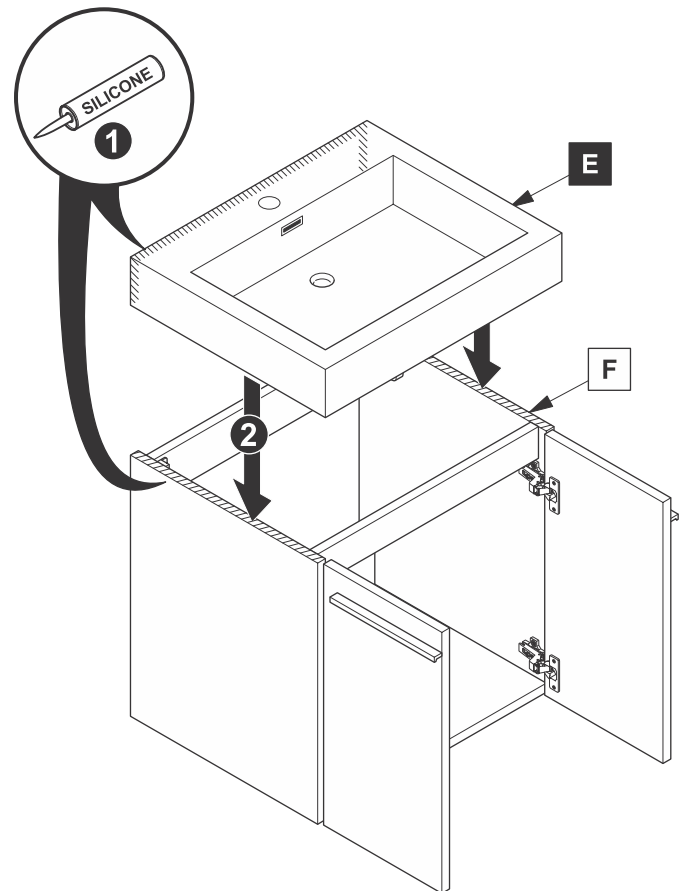
IMPORTANT: Consult an expert for the proper screws / bolts to use when attaching to various wall constructions. Screws provided *do not* attach to all wall construction types.



3 Apply silicone and install cabinet (F)



4 Apply silicone and install sink (E)

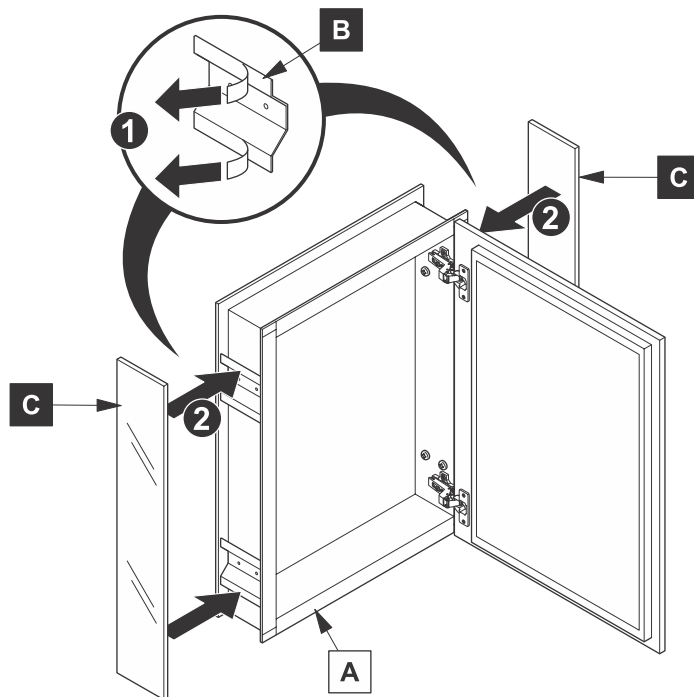
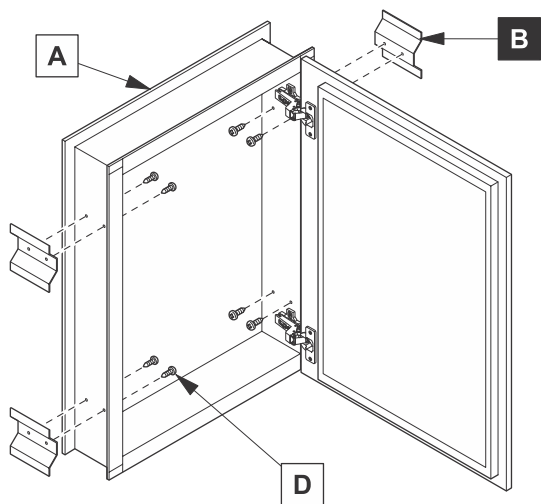


MEDICINE CABINET INSTALLATION

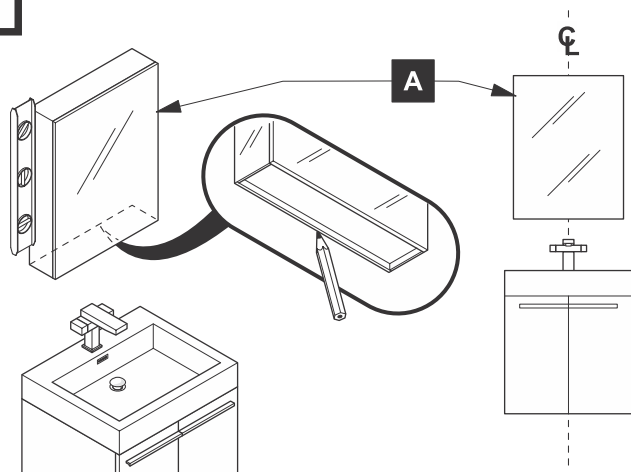
2

Install side mirrors (C)

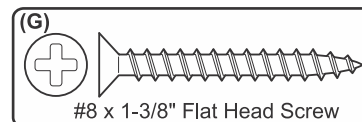
1 Install side brackets (B)



3 Mark cabinet (A) location

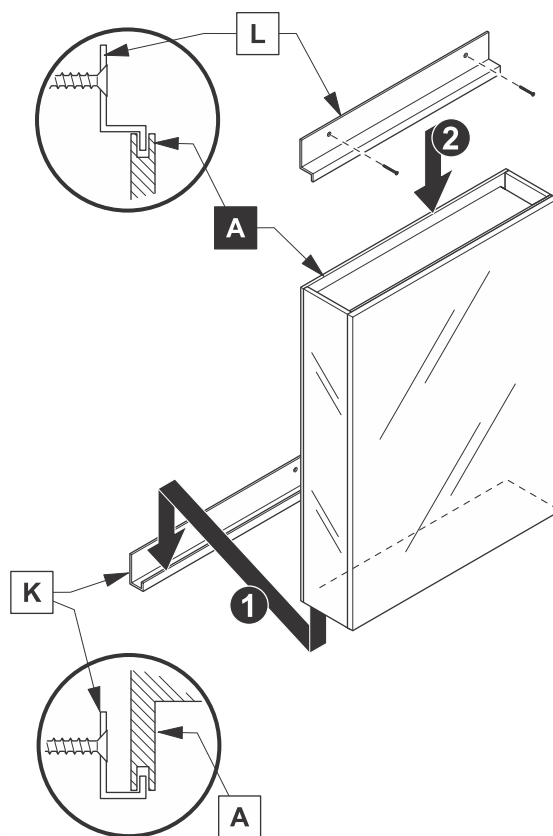
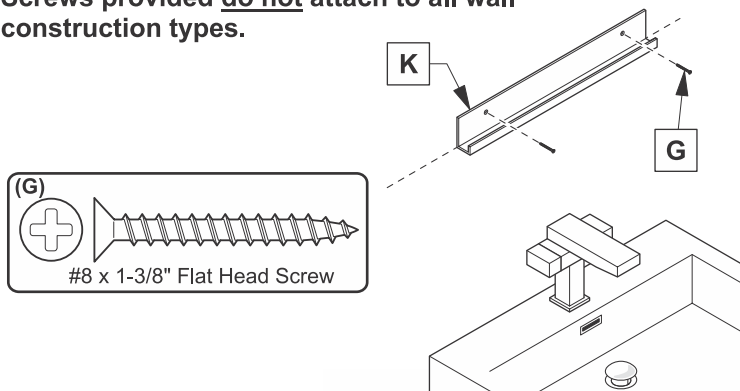


5 Install cabinet (A)



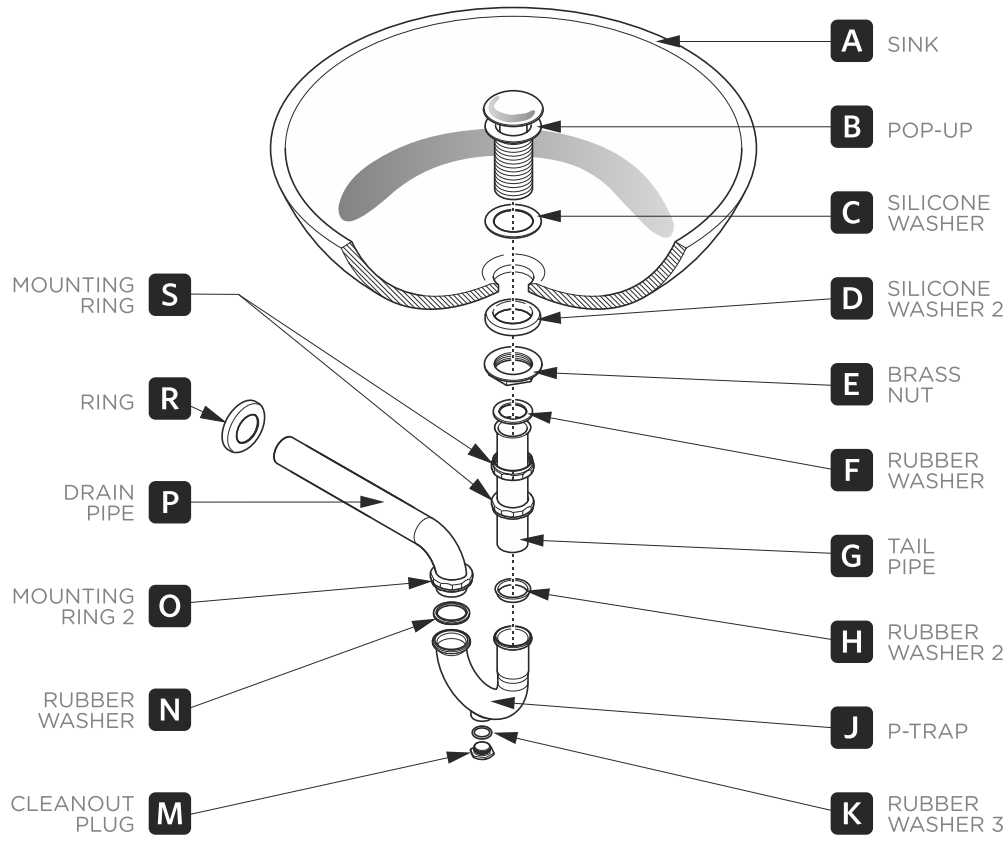
4 Install bottom bracket (K)

IMPORTANT: Consult an expert for the proper screws/bolts to use when attaching to various wall constructions. Screws provided do not attach to all wall construction types.



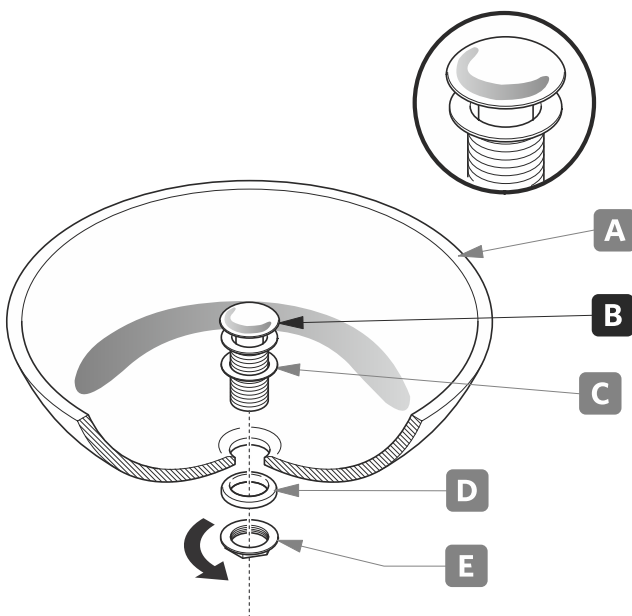
P-TRAP & POP-UP INSTALLATION INSTRUCTIONS

Your item may appear slightly different from the illustration.



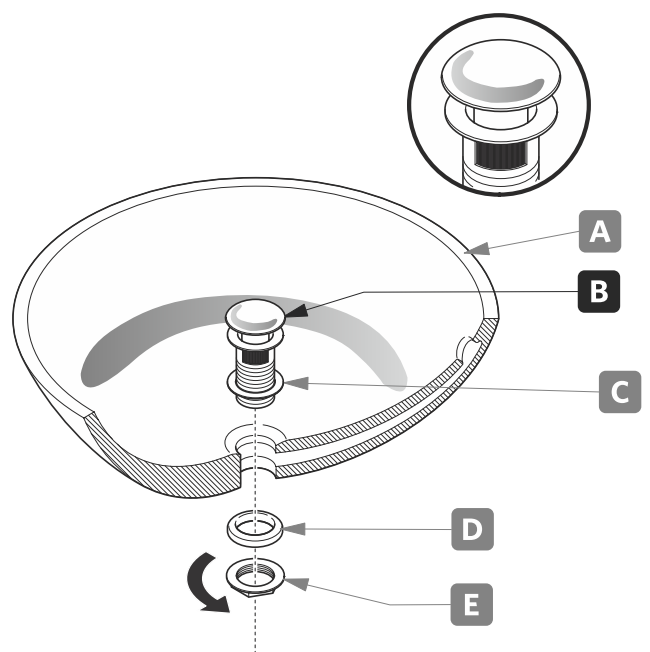
POP-UP INSTALLATION

**FOR SINKS
WITHOUT OVERFLOW**



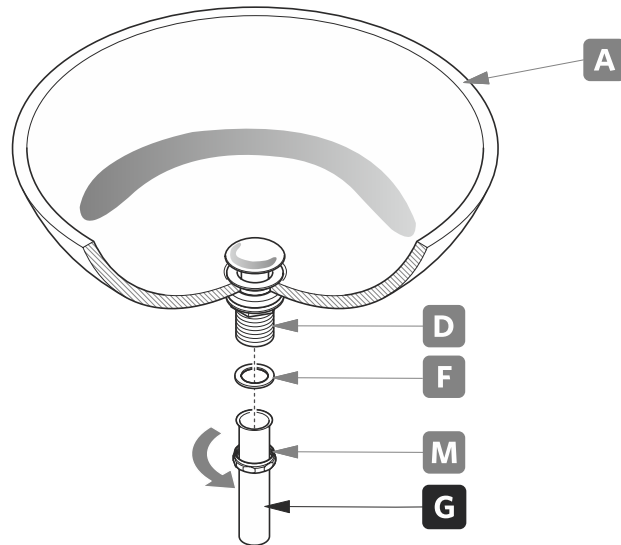
OR

**FOR SINKS
WITH OVERFLOW**



P-TRAP INSTALLATION

1. Install tail pipe (G).



2. Install P-trap (J).

