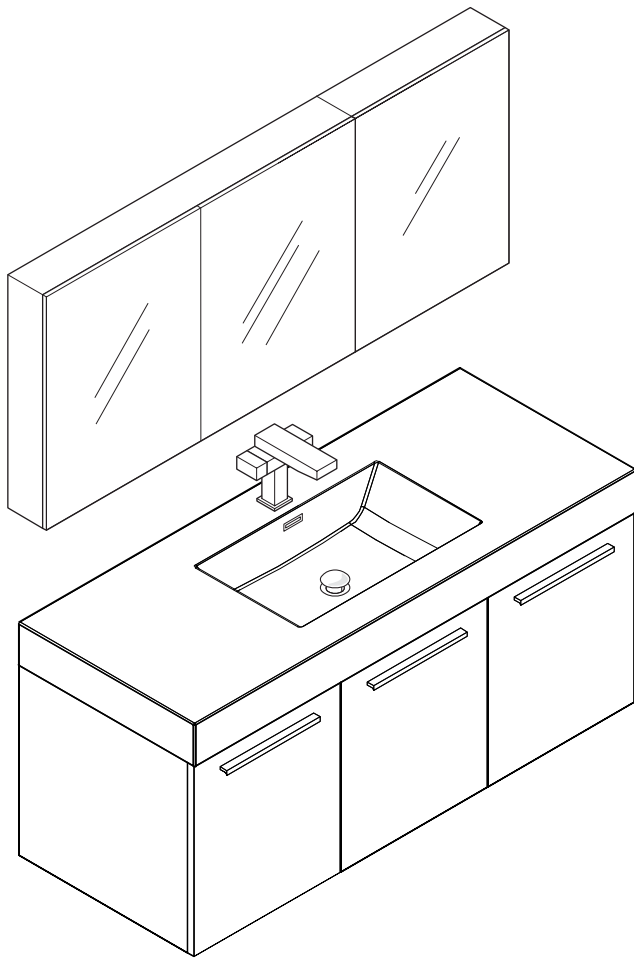
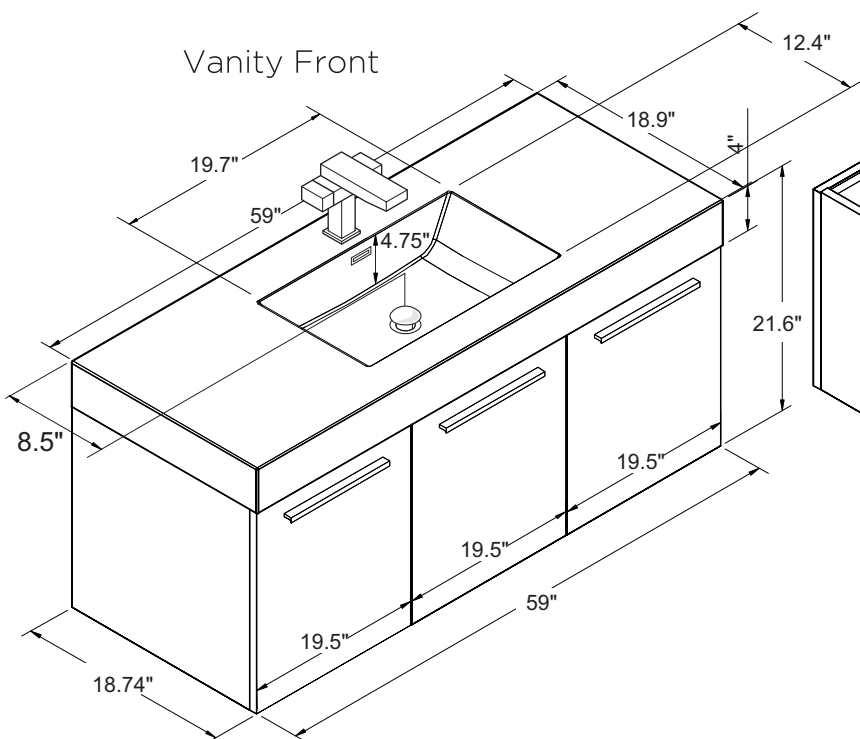
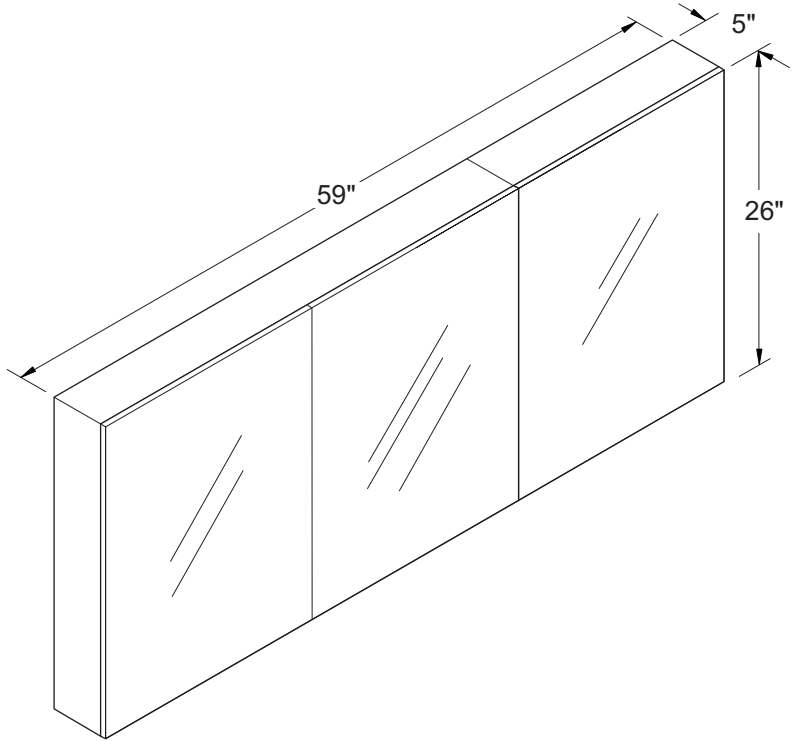




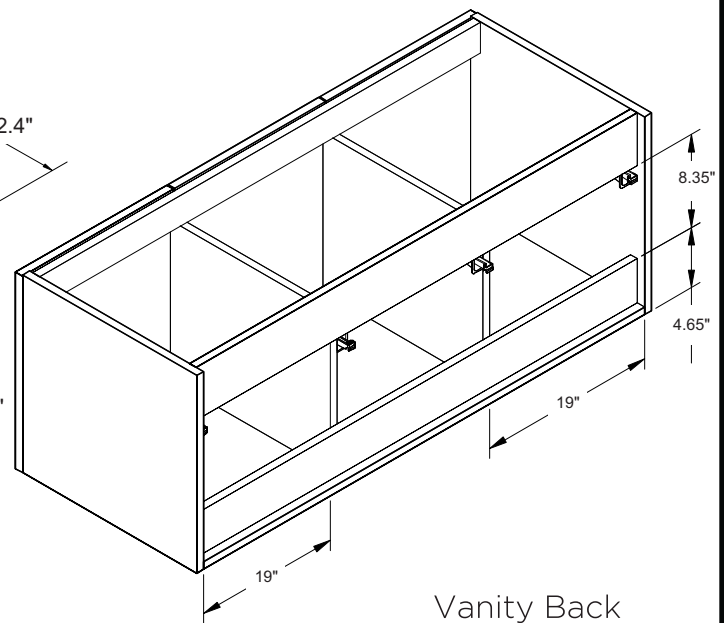
FVN8093
VISTA
INSTALLATION GUIDE



Medicine Cabinet



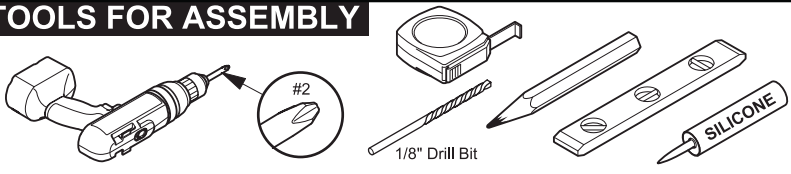
Vanity Front



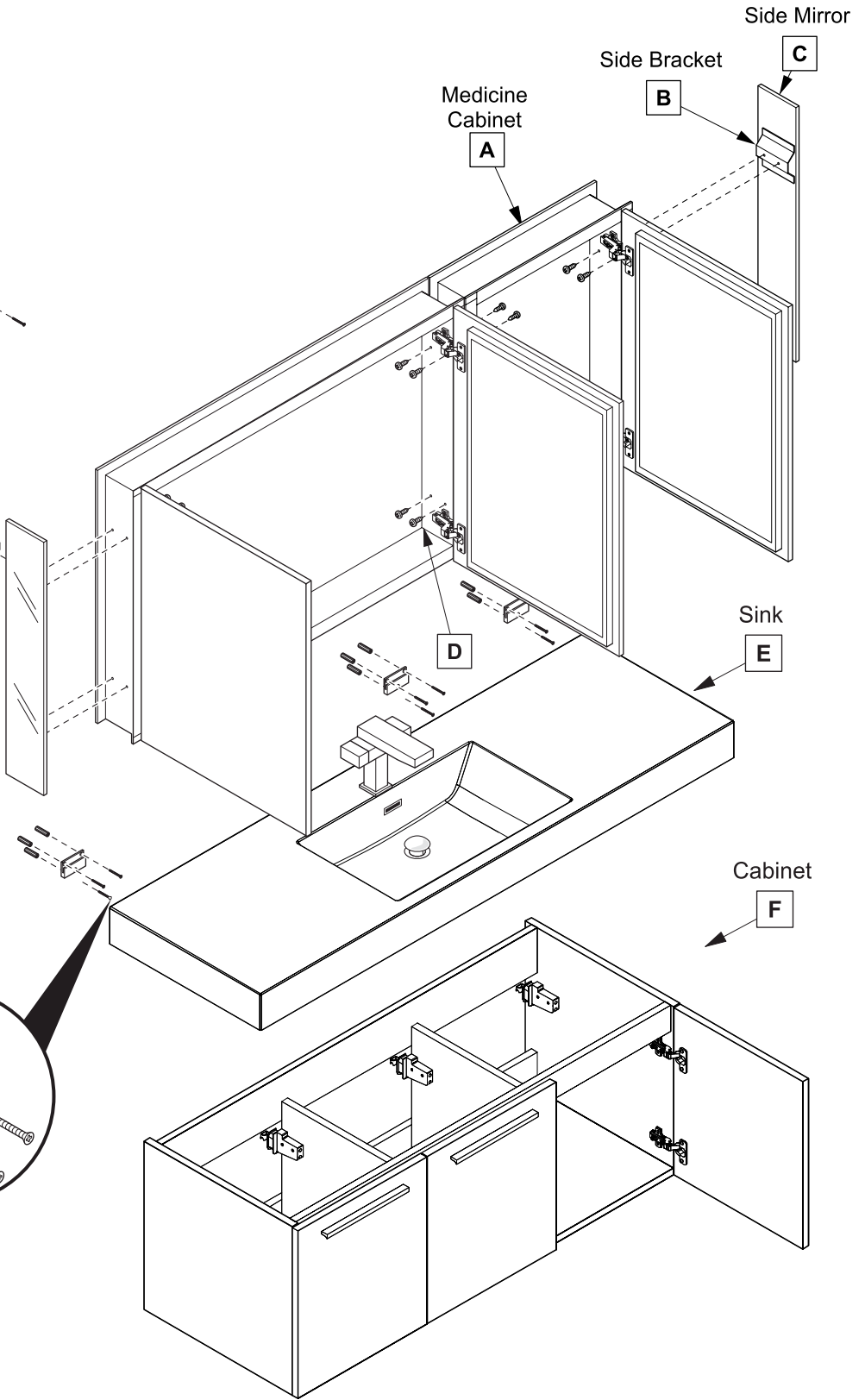
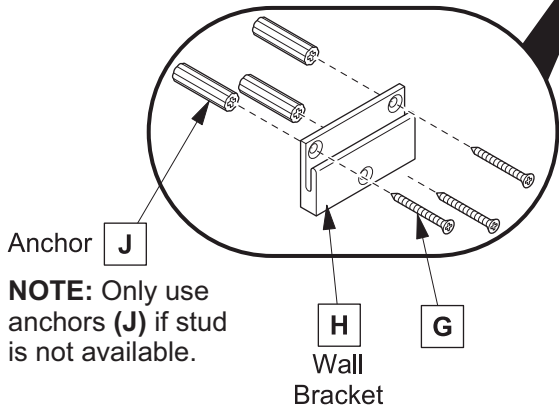
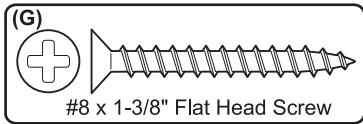
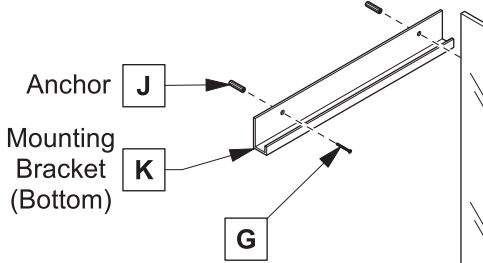
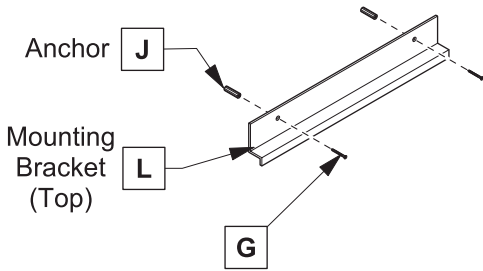
Vanity Back

 ALL DIMENSIONS & SPECIFICATIONS ARE APPROXIMATE AND SUBJECT TO CHANGE WITHOUT NOTICE.

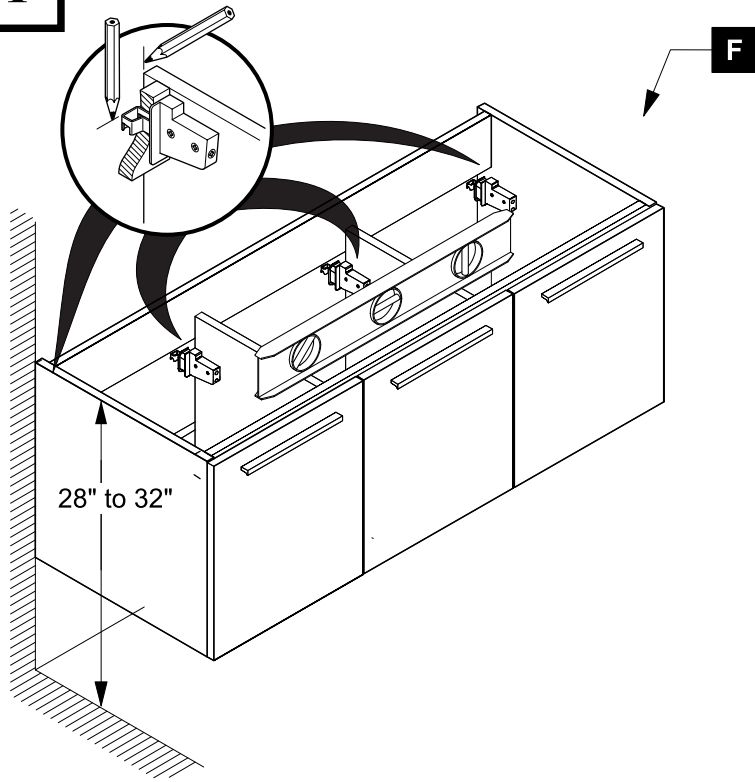
TOOLS FOR ASSEMBLY



PARTS

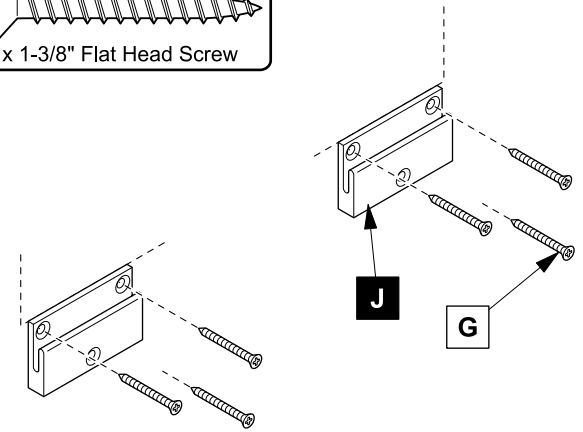
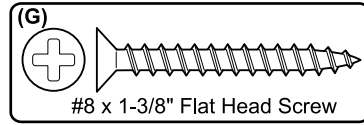


1 Locate cabinet (F) & mark location on the wall

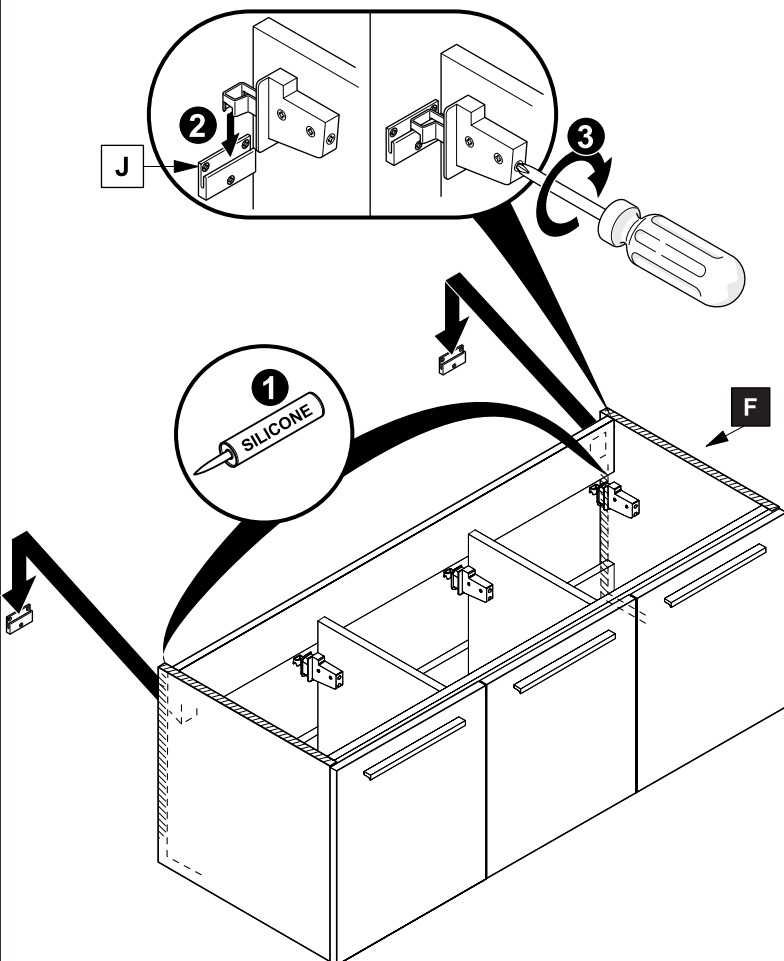


2 Install wall brackets (J)

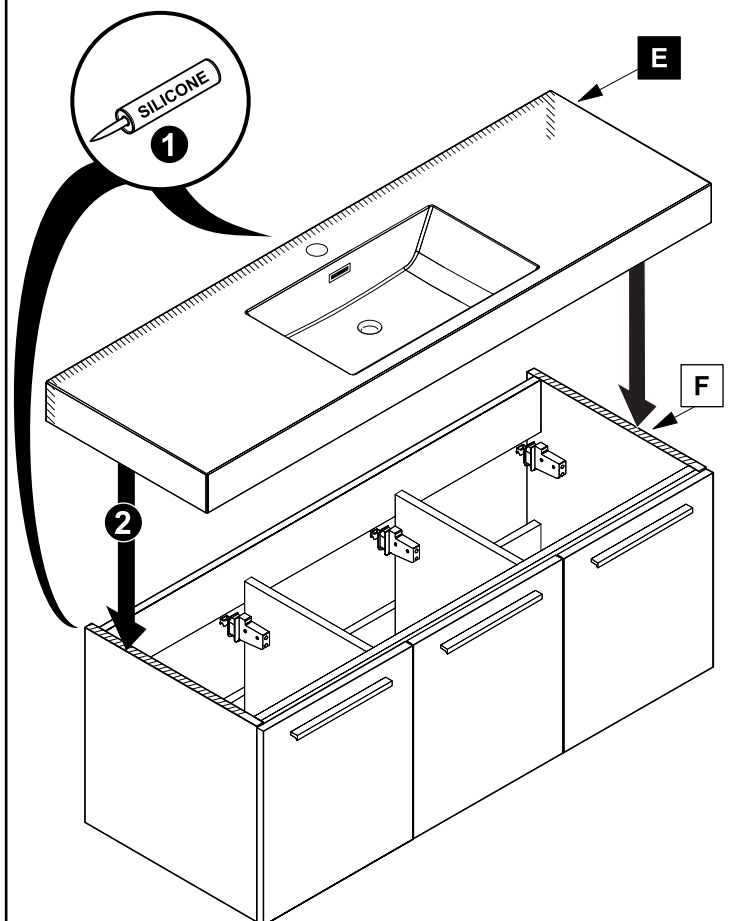
IMPORTANT: Consult an expert for the proper screws/bolts to use when attaching to various wall constructions. Screws provided **do not** attach to all wall construction types.



3 NOTE: If necessary remove drawers to access connection mechanism.

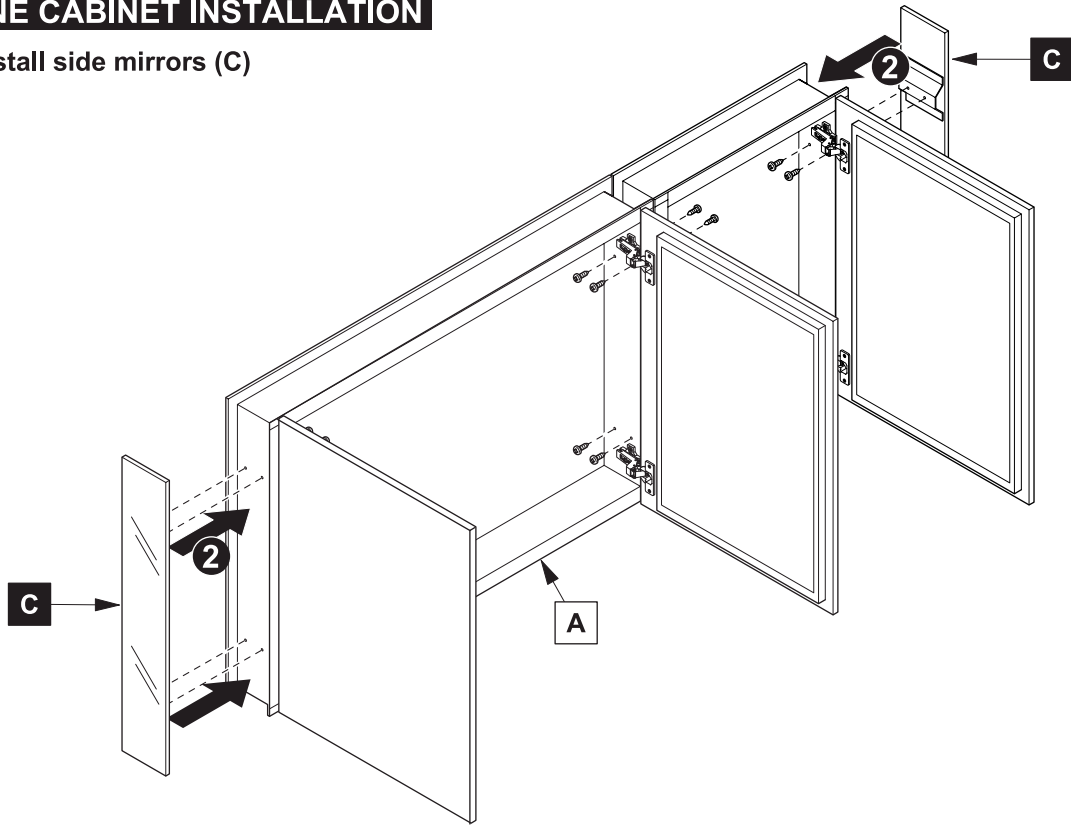


4 Apply silicone and install sink (E)

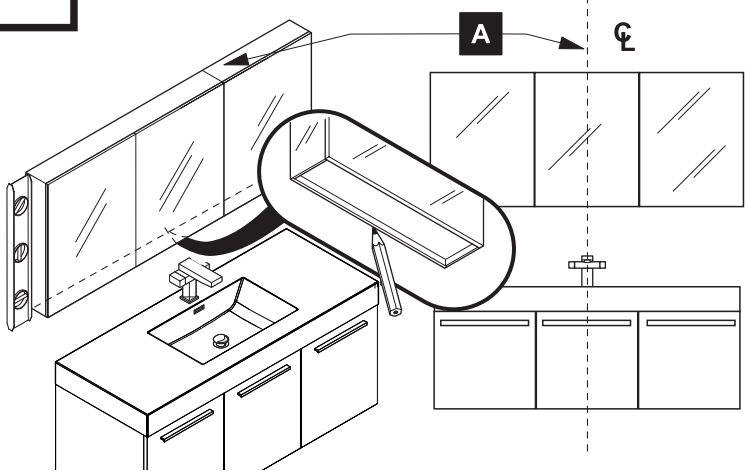


MEDICINE CABINET INSTALLATION

1 Install side mirrors (C)

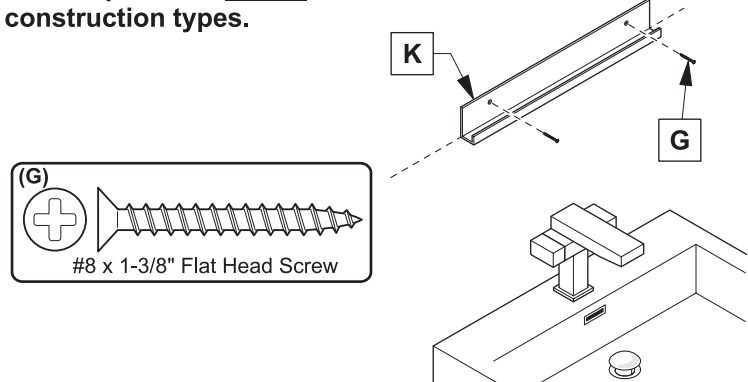


2 Mark cabinet (A) location

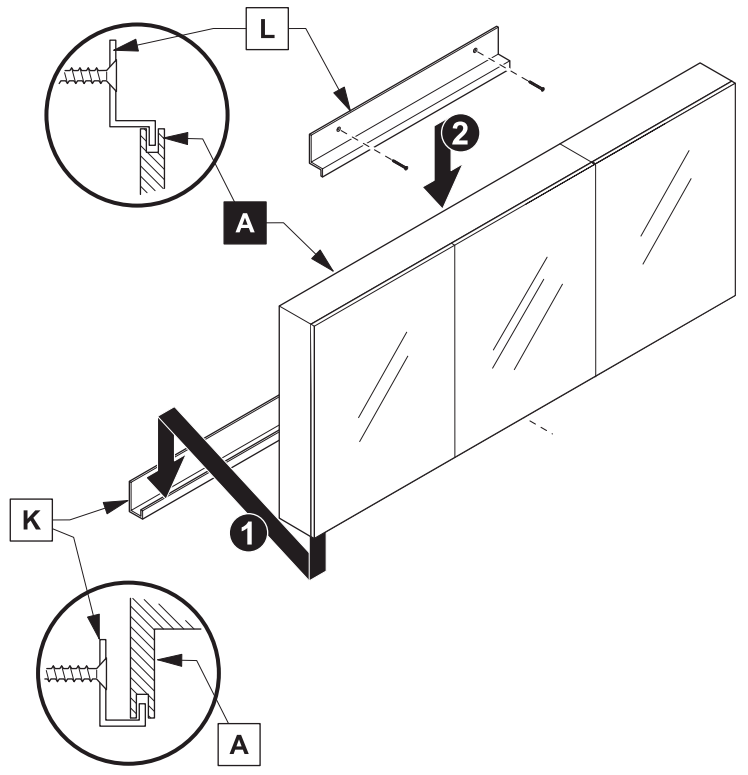
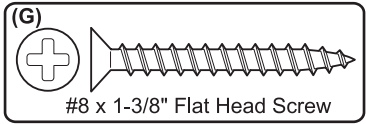


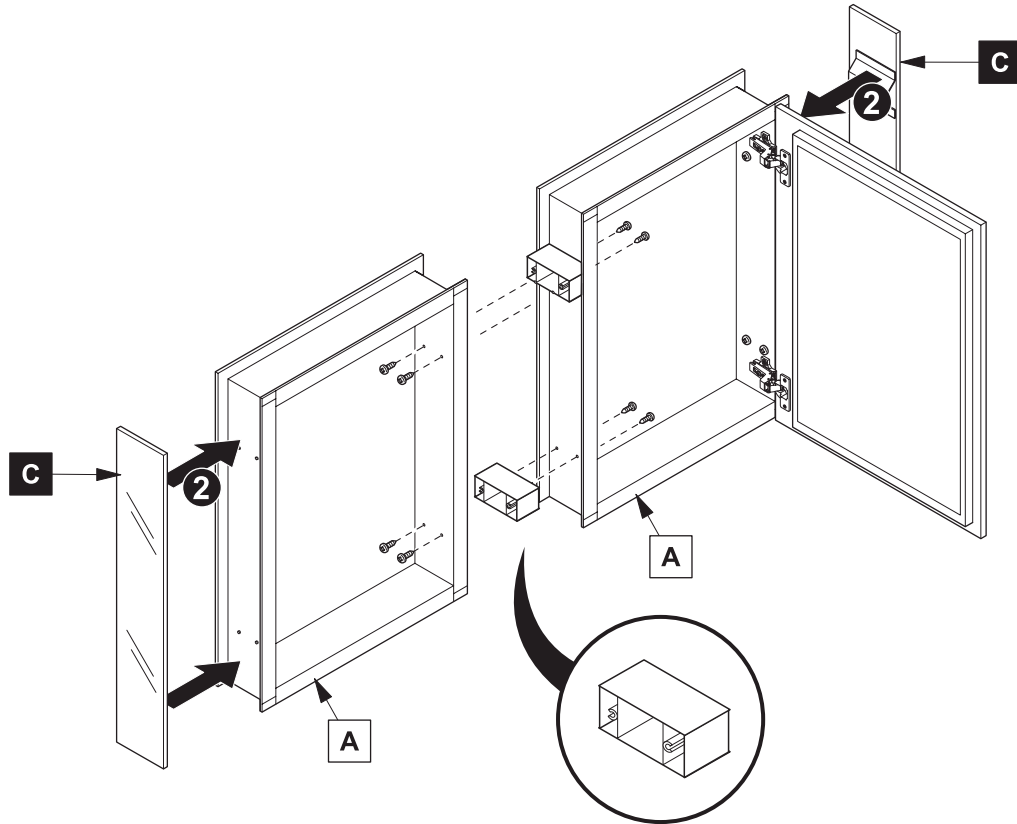
3 Install bottom bracket (K)

IMPORTANT: Consult an expert for the proper screws/bolts to use when attaching to various wall constructions. Screws provided do not attach to all wall construction types.



4 Install cabinet (A) and top bracket (L)

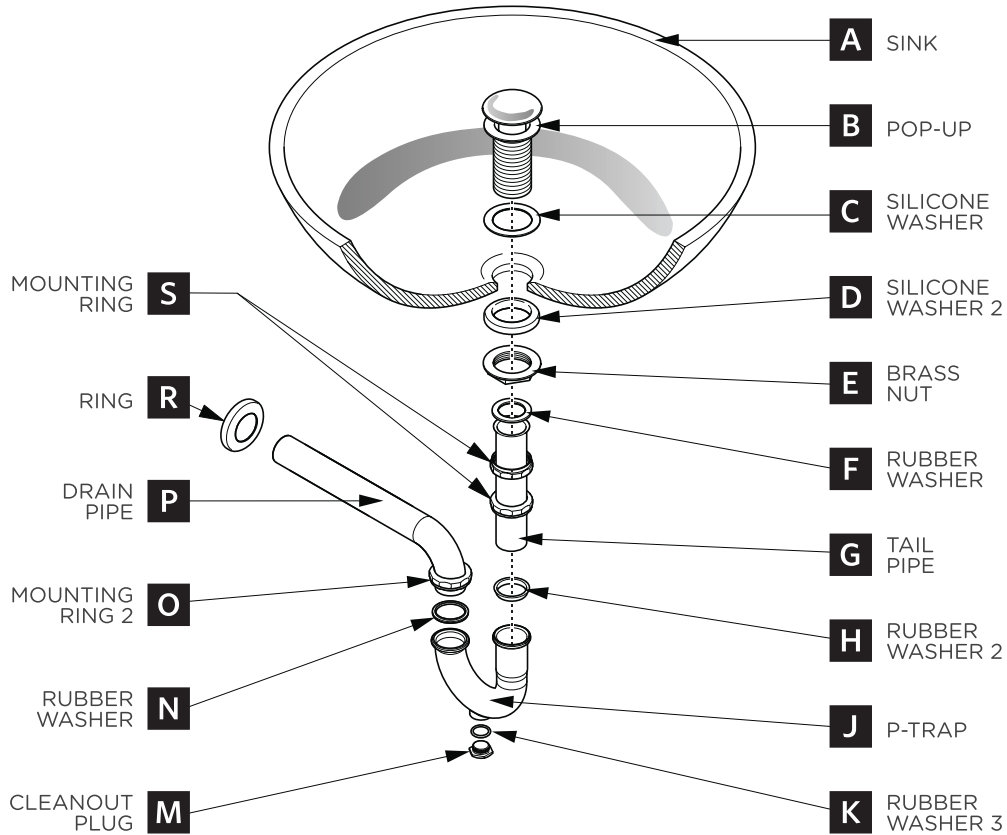




P-TRAP & POP-UP

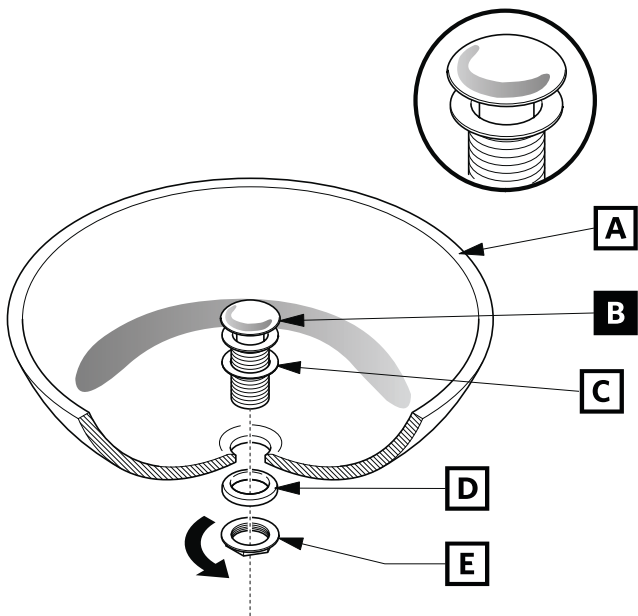
INSTALLATION INSTRUCTIONS

Your item may appear slightly different from the illustration.



POP-UP INSTALLATION

FOR SINKS WITHOUT OVERFLOW



OR

FOR SINKS WITH OVERFLOW

