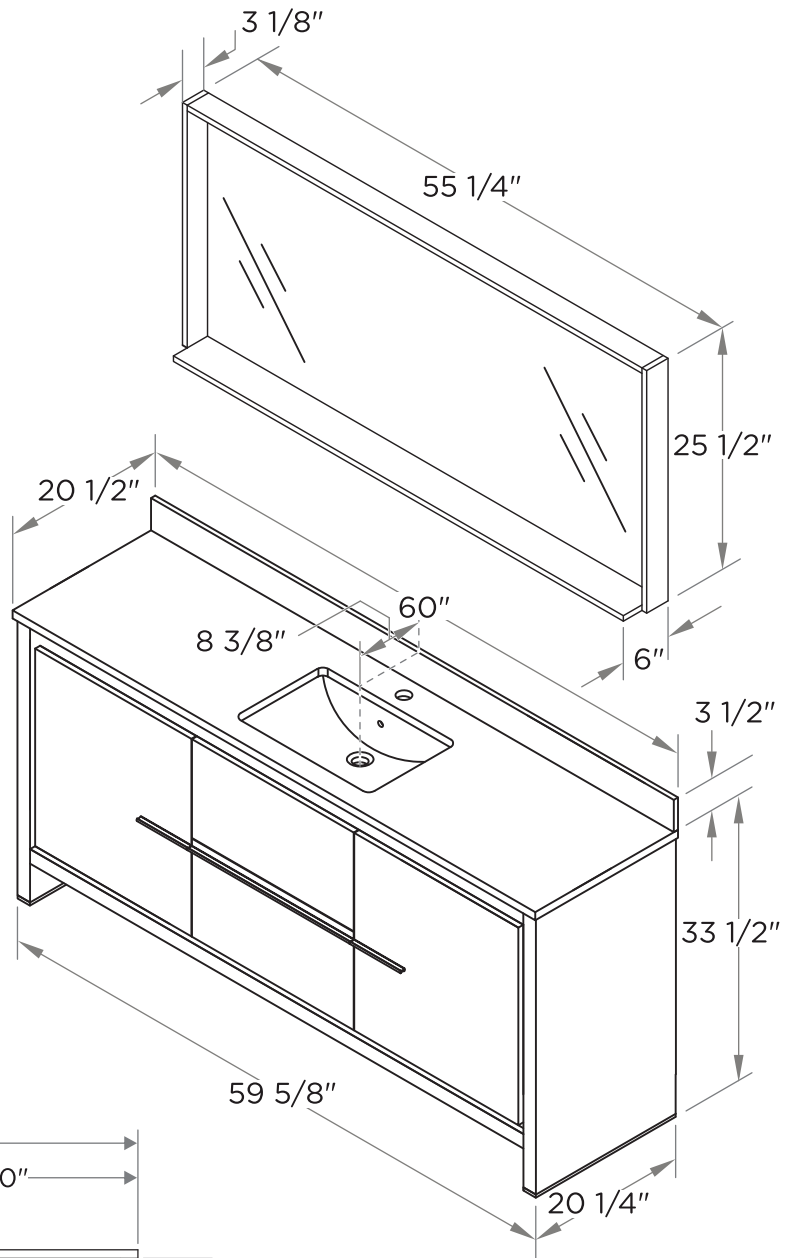


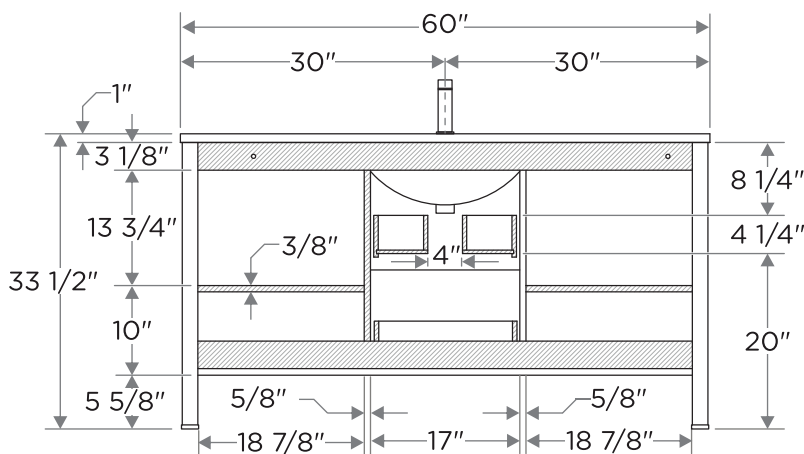
FVN8119-S ALLIER INSTALLATION GUIDE



DIMENSIONS



VANITY
front view

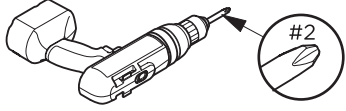


CABINET
rear view



ALL DIMENSIONS & SPECIFICATIONS
ARE APPROXIMATE AND SUBJECT TO
CHANGE WITHOUT NOTICE.

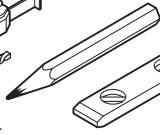
TOOLS FOR ASSEMBLY



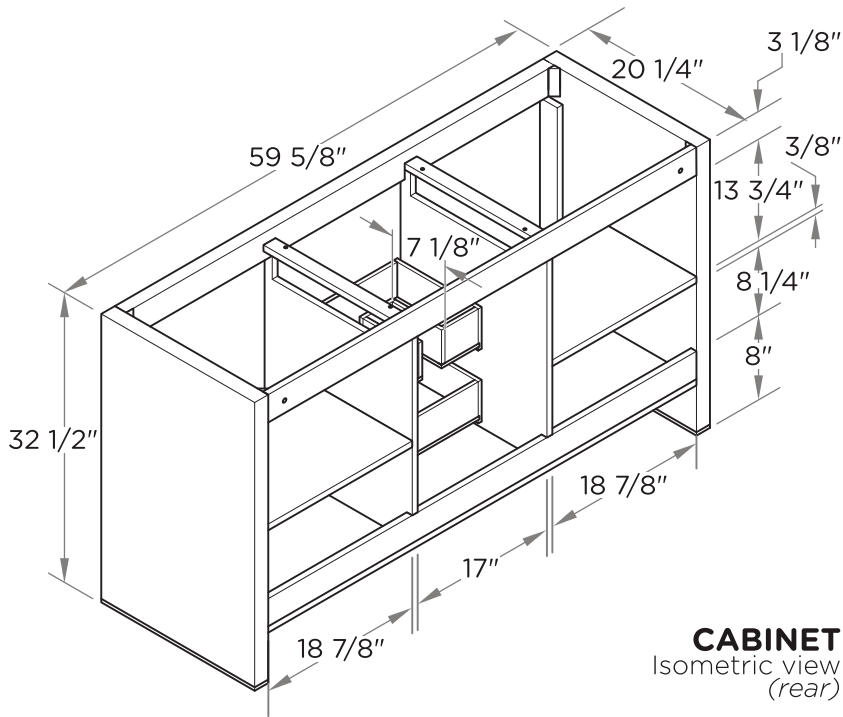
#2



1/8" Drill Bit

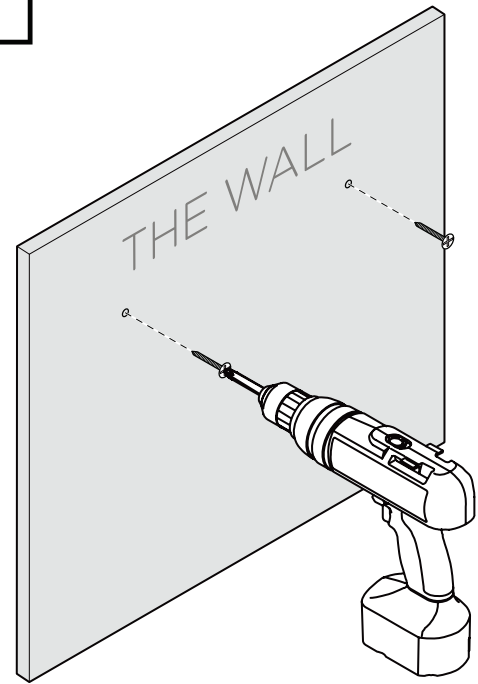


DIMENSIONS

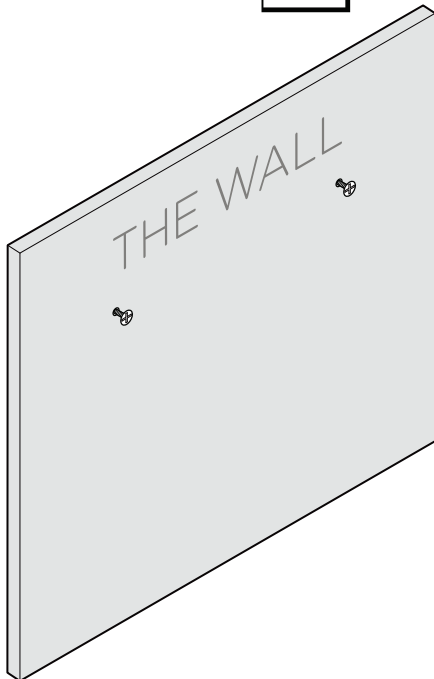


MIRROR INSTALLATION

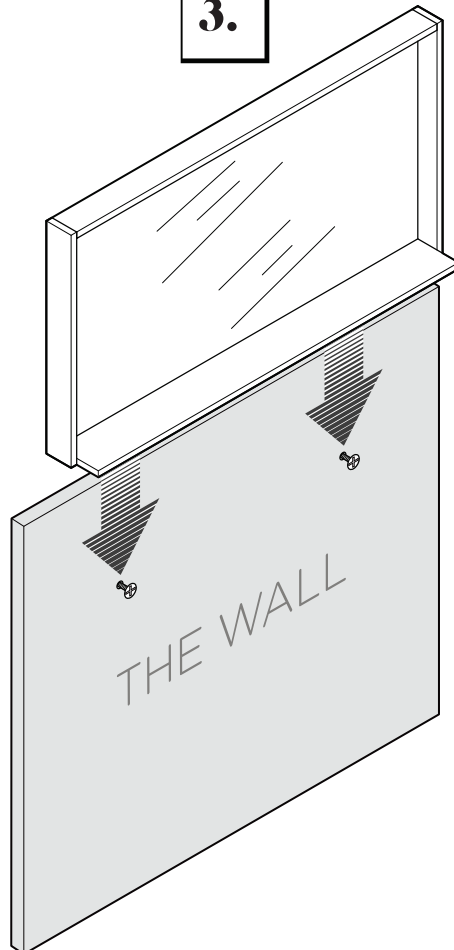
1.



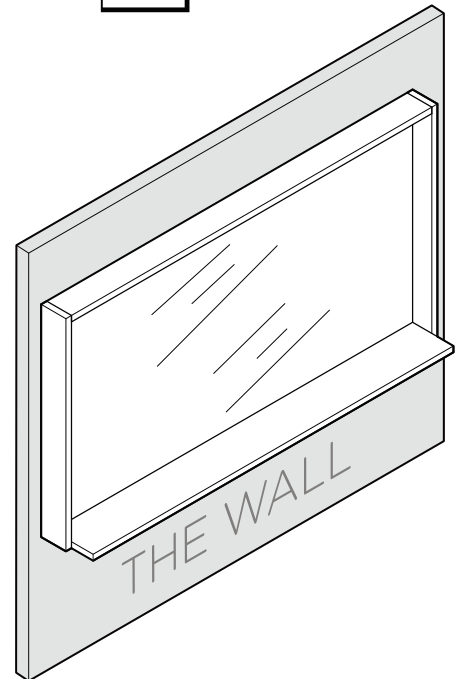
2.



3.

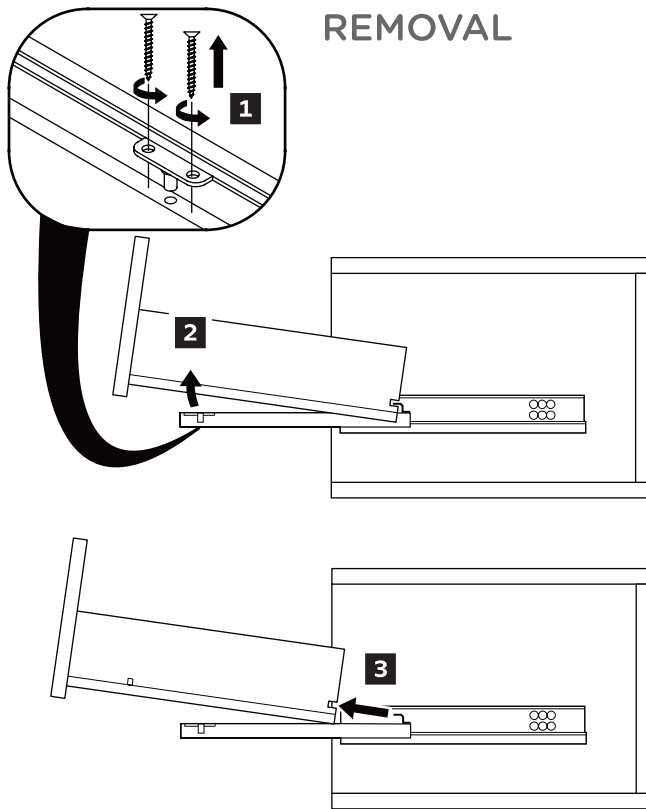


4.

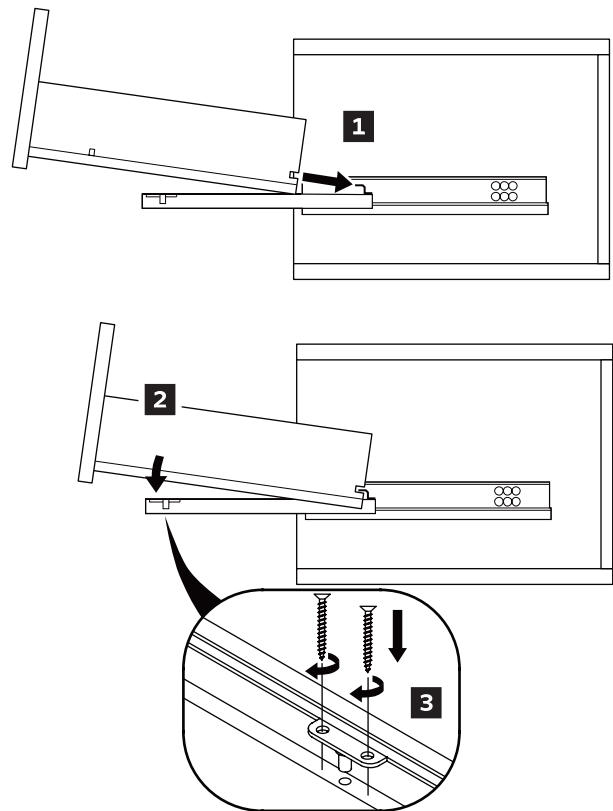


DRAWER REMOVAL & INSTALLATION

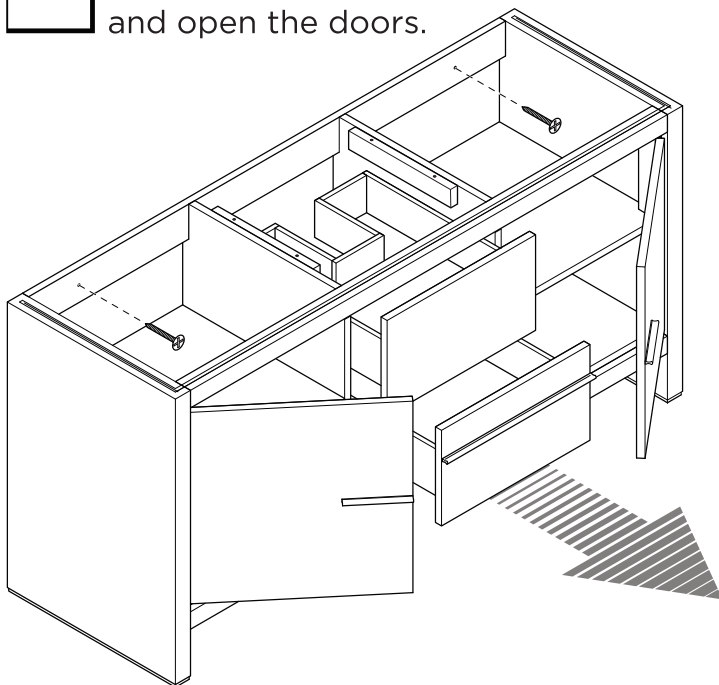
REMOVAL



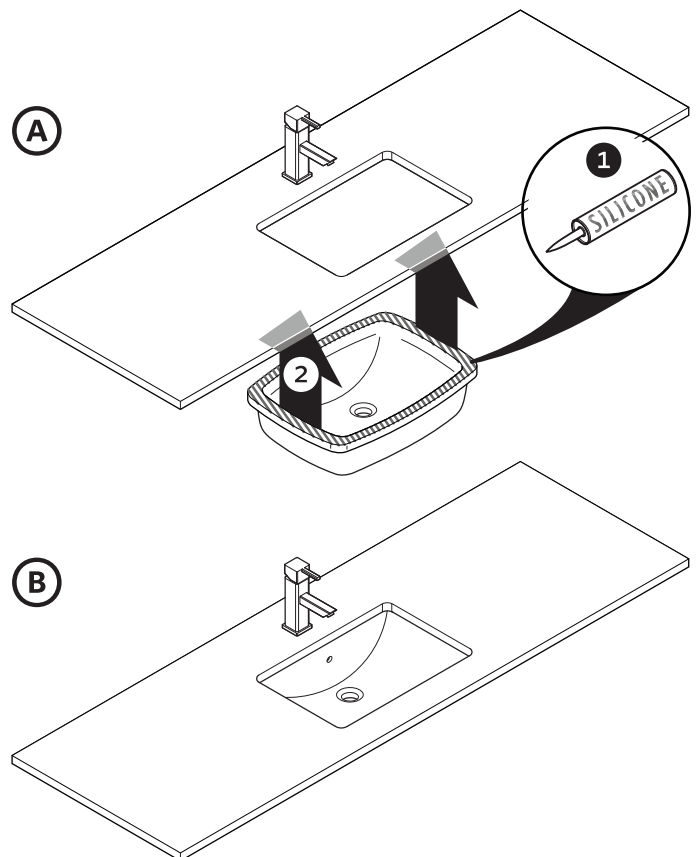
INSTALLATION



1. Remove the drawers and open the doors.

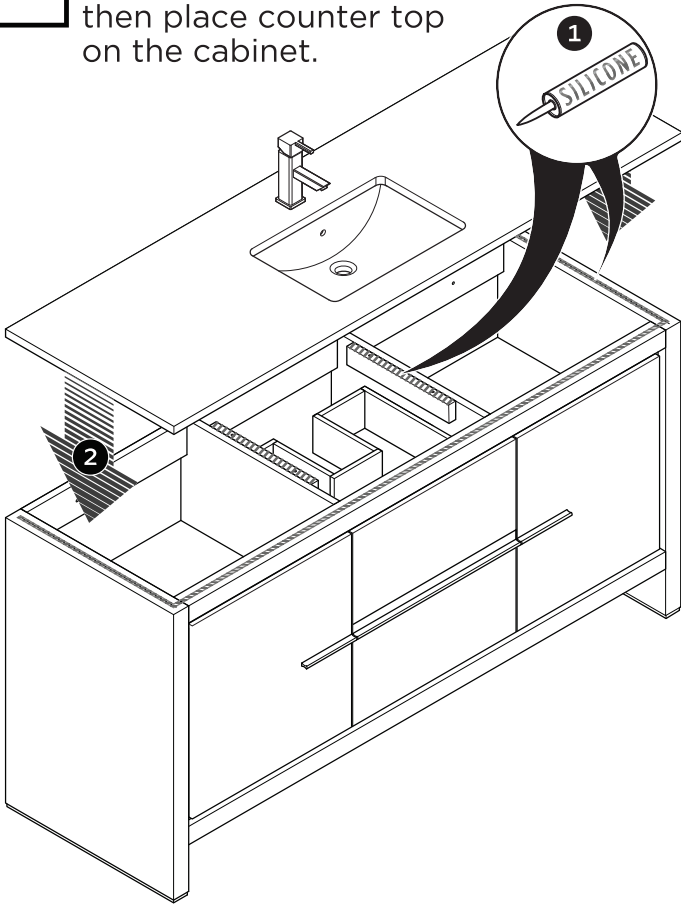


2. Apply a layer of silicone and connect the sink to the counter-top.

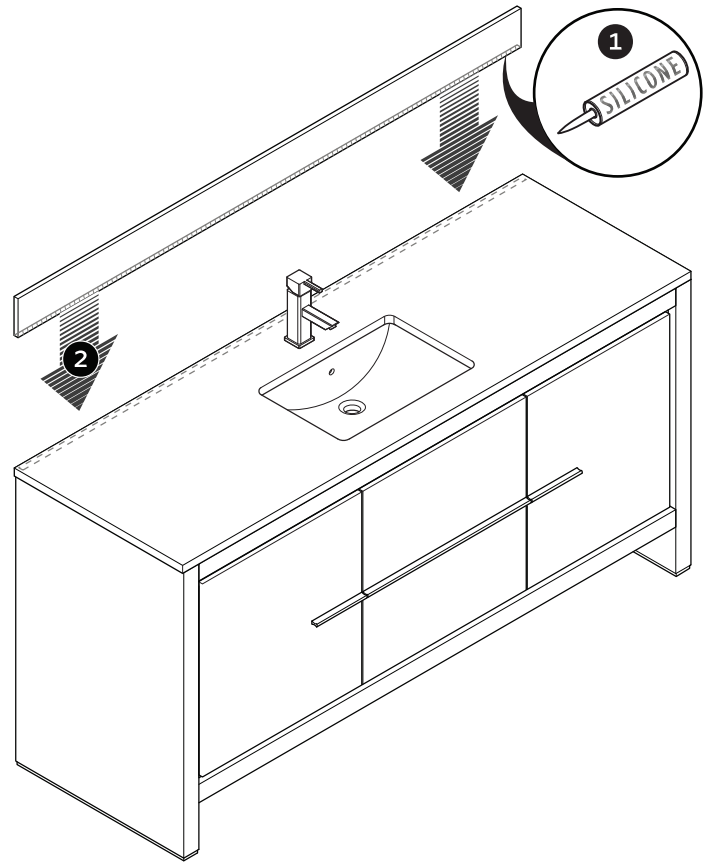


CONSULT AN EXPERT FOR THE PROPER SCREWS/BOLTS TO USE WHEN ATTACHING TO VARIOUS WALL CONSTRUCTIONS. SCREWS PROVIDED DO NOT ATTACH TO ALL WALL CONSTRUCTION TYPES.

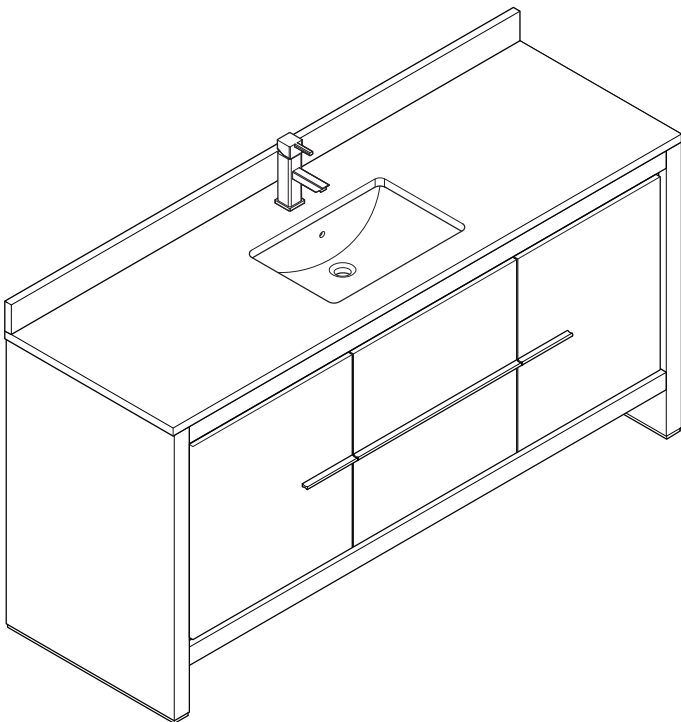
- 3.** Apply a layer of silicone then place counter top on the cabinet.



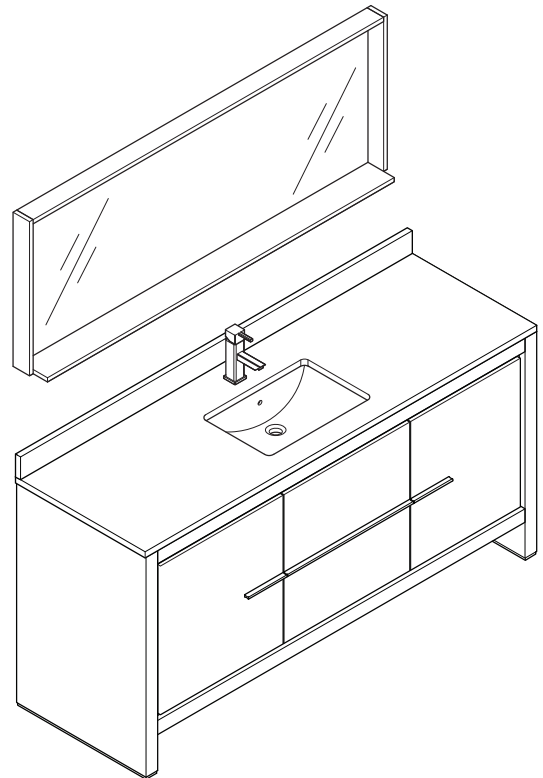
- 4.** Apply silicone on the bottom of the back splash .



- 5.** Attach the back splash to the counter top.



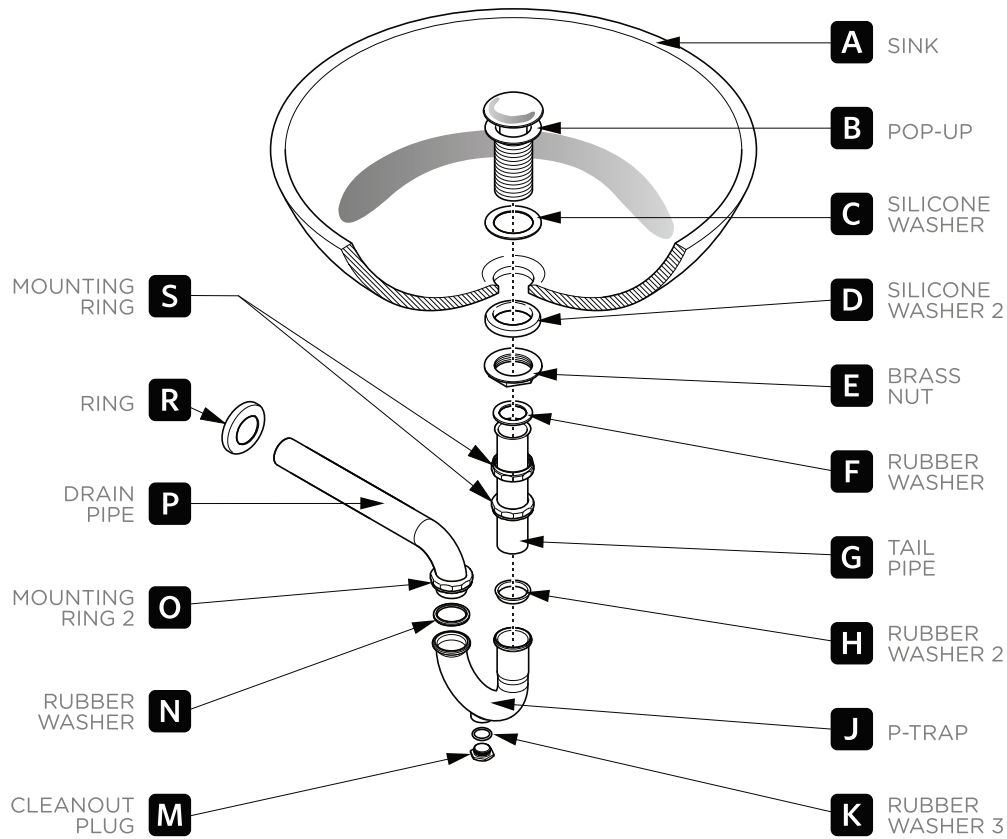
- 6.** Please refer to PAGE 2 for the mirror installation.



P-TRAP & POP-UP

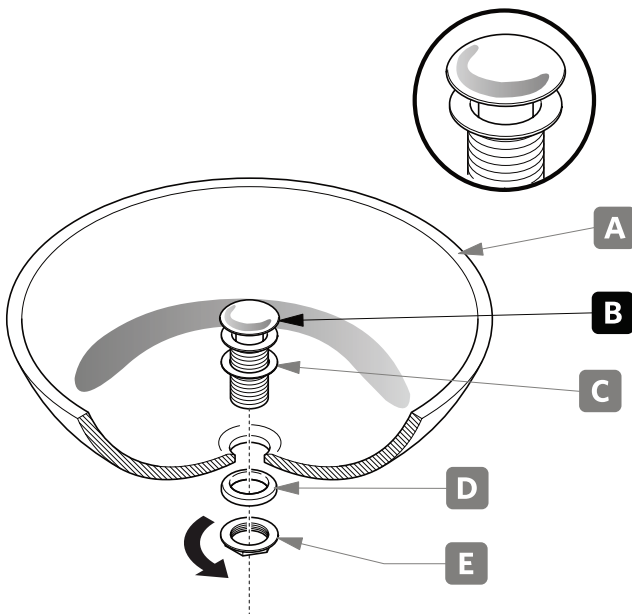
INSTALLATION INSTRUCTIONS

YOUR ITEM MAY APPEAR SLIGHTLY DIFFERENT FROM THE ILLUSTRATION.



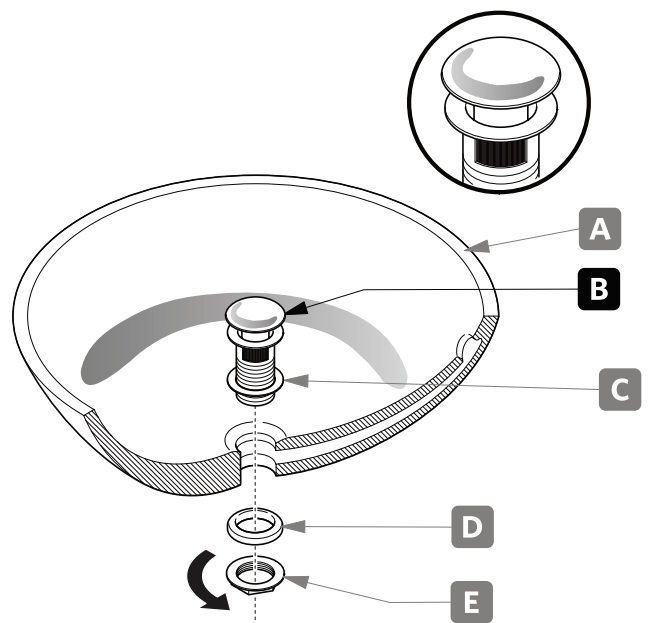
POP-UP INSTALLATION

FOR SINKS WITHOUT OVERFLOW



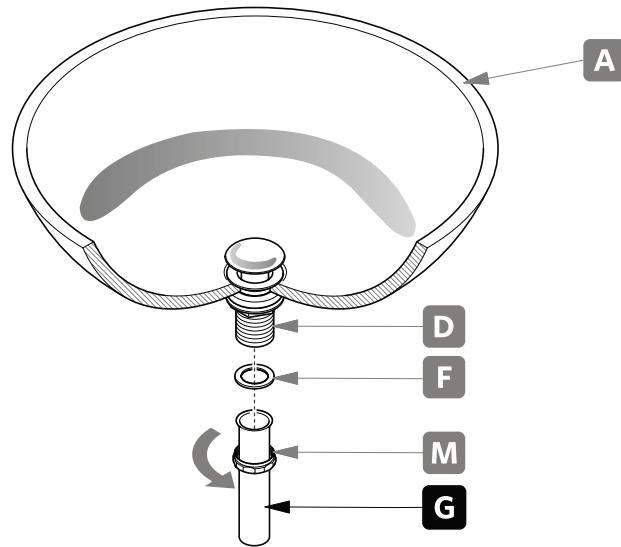
OR

FOR SINKS WITH OVERFLOW



P-TRAP INSTALLATION

1. Install tail pipe (G).



2. Install P-trap (J).

