



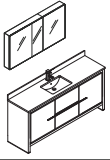
# FVN8119HA-S ALLIER



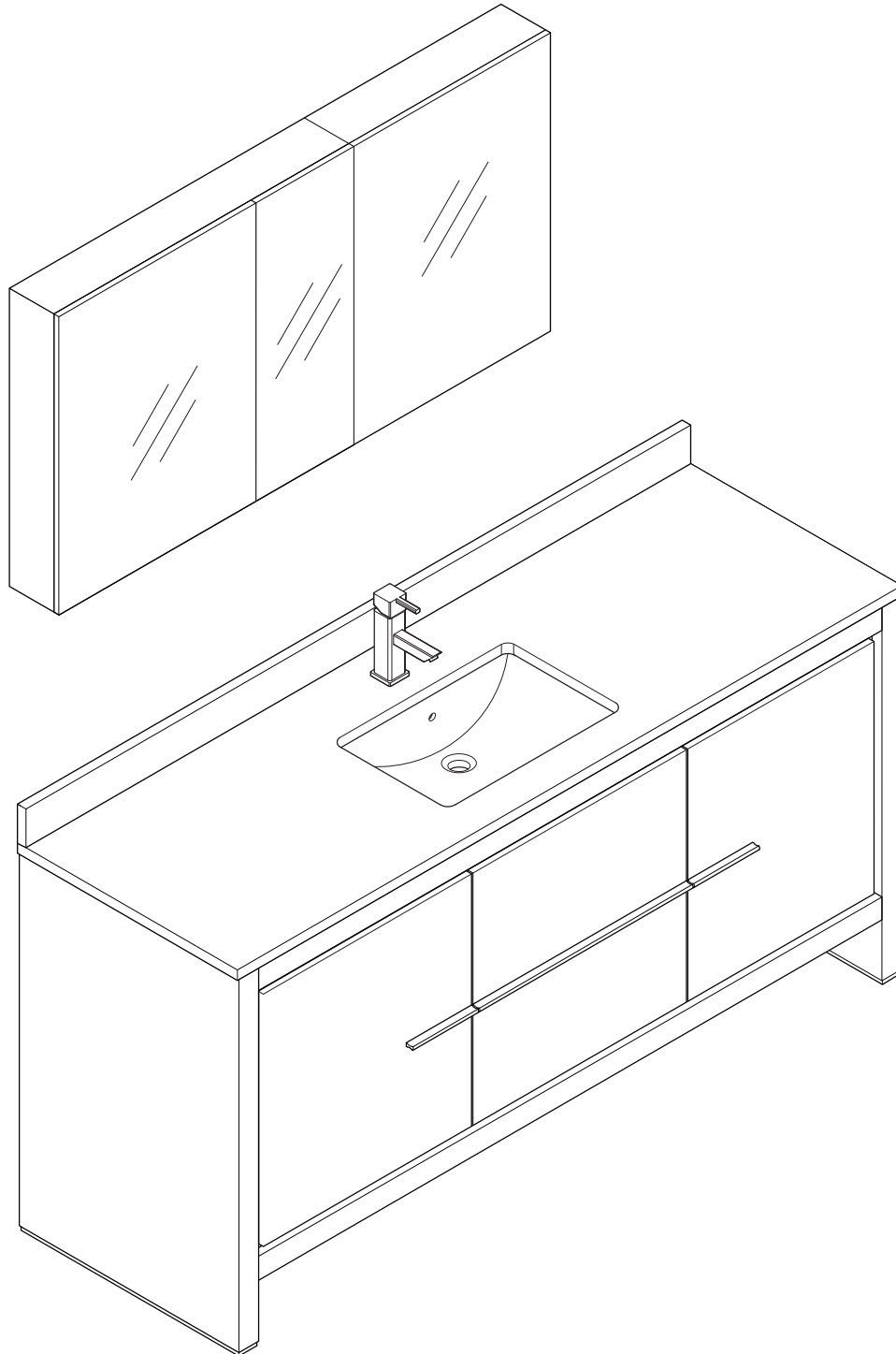
## INSTALLATION GUIDE

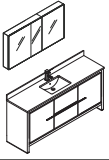
### CONTENTS:

Cabinet.....	(FCB8119HA-S).....	PAGE 5
Sink.....	(FVS8119WH).....	PAGE 5
Medicine Cabinet.....	(FMC8013).....	PAGE 3
Countertop.....	(FCT8119WH-S).....	PAGE 5



# FVN8119HA-S ALLIER *Rio* INSTALLATION GUIDE

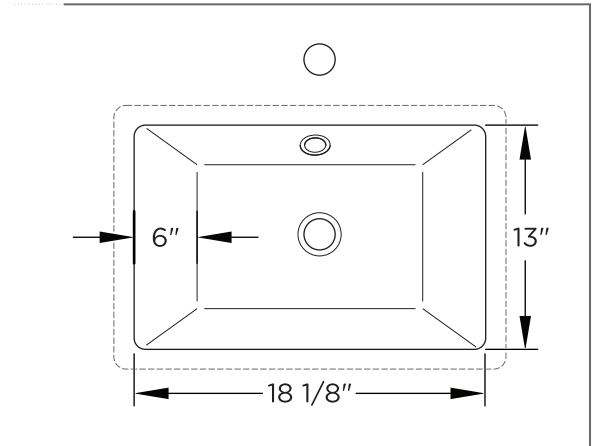
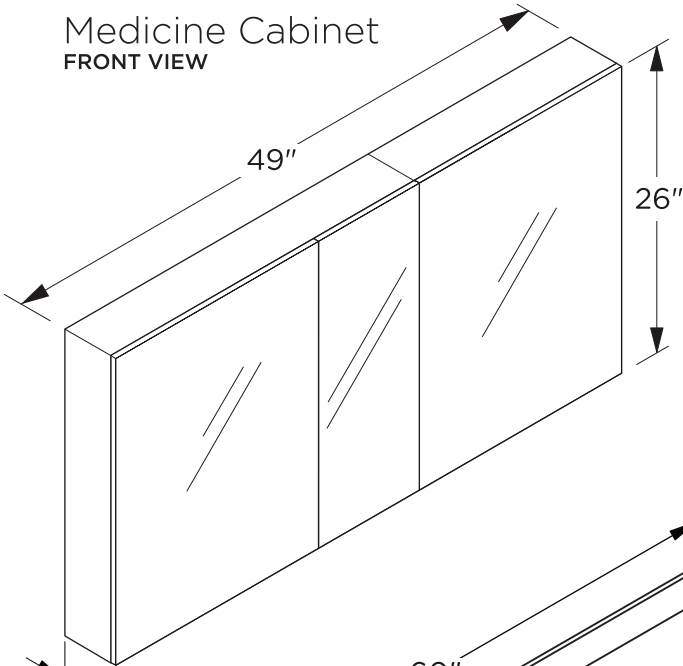




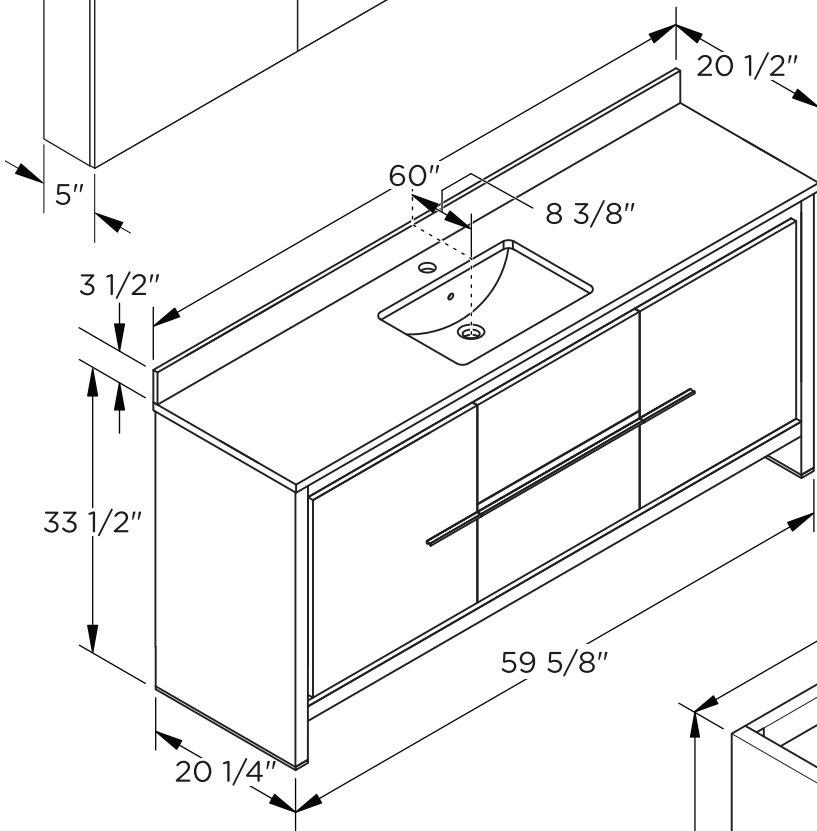
# FVN8119HA-S ALLIER *Rio* INSTALLATION GUIDE



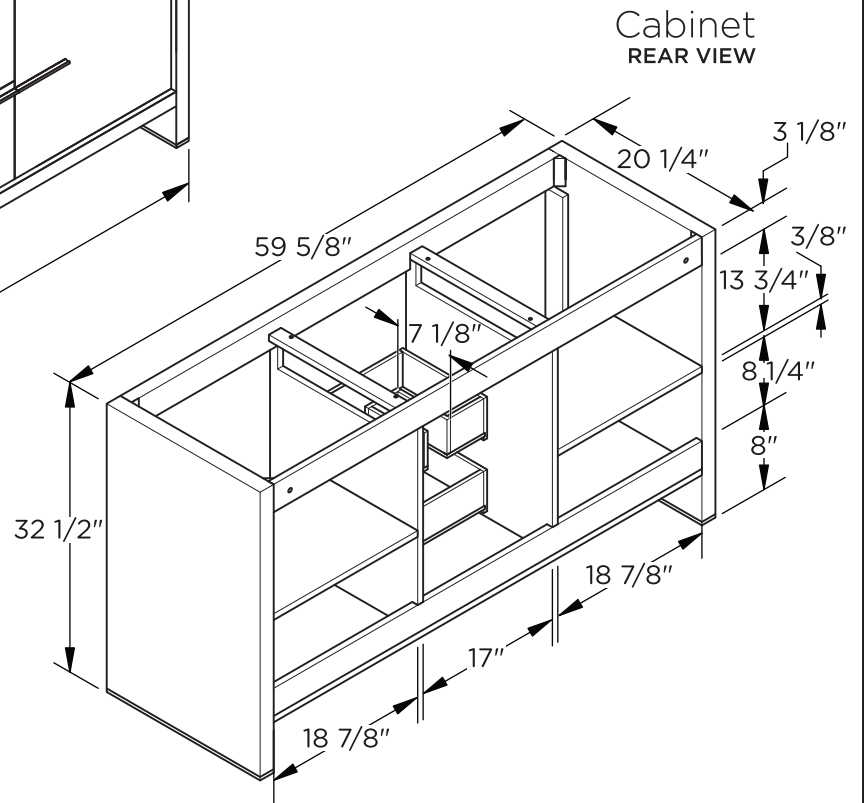
## DIMENSIONS



Sink  
TOP VIEW



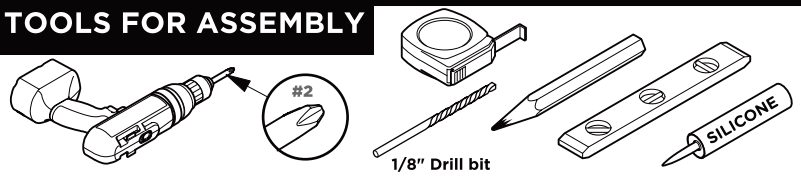
Cabinet  
FRONT VIEW



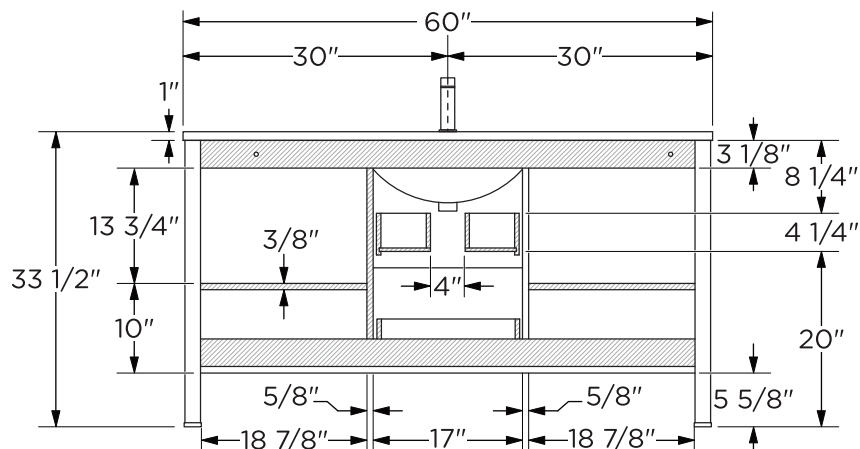
Cabinet  
REAR VIEW

**NOTE:** ALL DIMENSIONS & SPECIFICATIONS ARE APPROXIMATE AND SUBJECT TO CHANGE WITHOUT NOTICE.

## TOOLS FOR ASSEMBLY



## CABINET DIMENSIONS

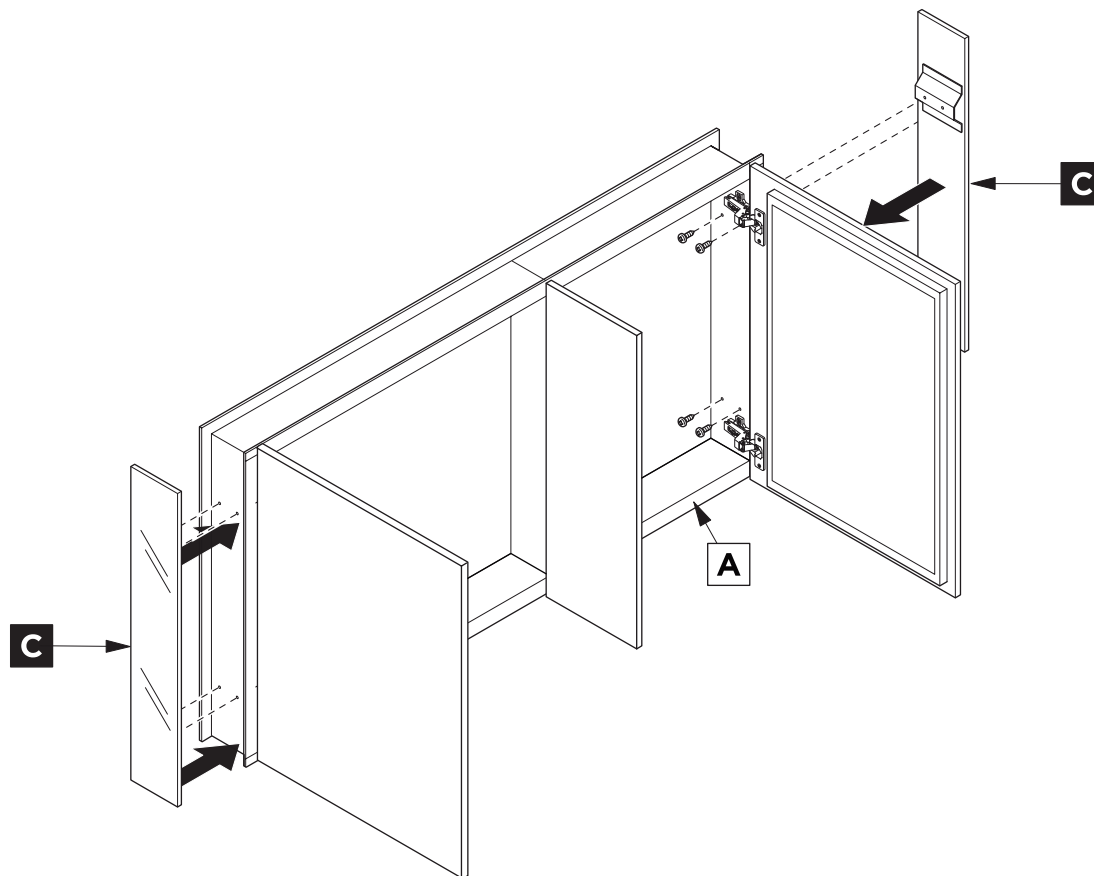


**NOTE:** ALL DIMENSIONS & SPECIFICATIONS ARE APPROXIMATE AND SUBJECT TO CHANGE WITHOUT NOTICE.

## MEDICINE CABINET INSTALLATION

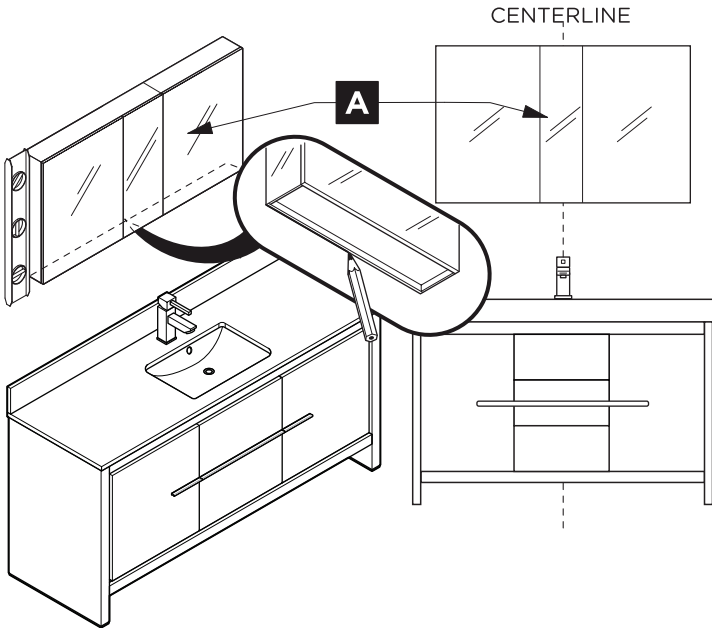
**1**

Attach side mirrors (C) to the medicine cabinet (A).

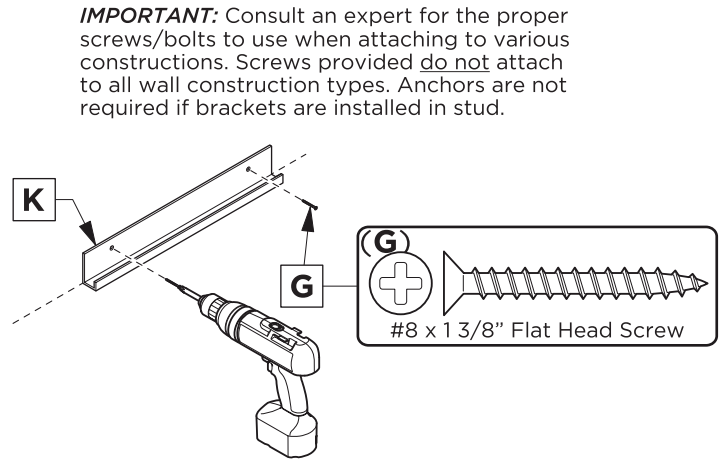


# MEDICINE CABINET INSTALLATION

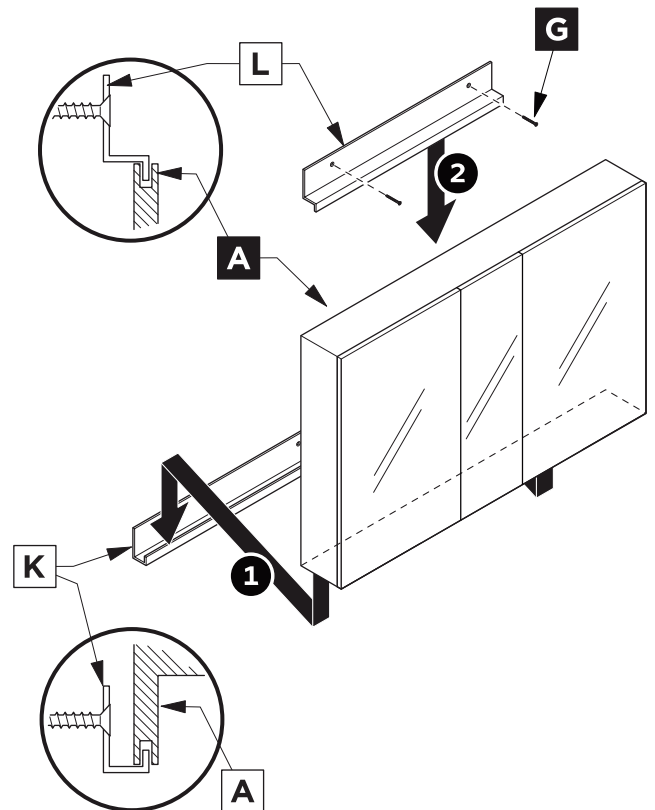
**2** Mark cabinet's (A) location.



**3** Attach bottom bracket (K) to the wall.

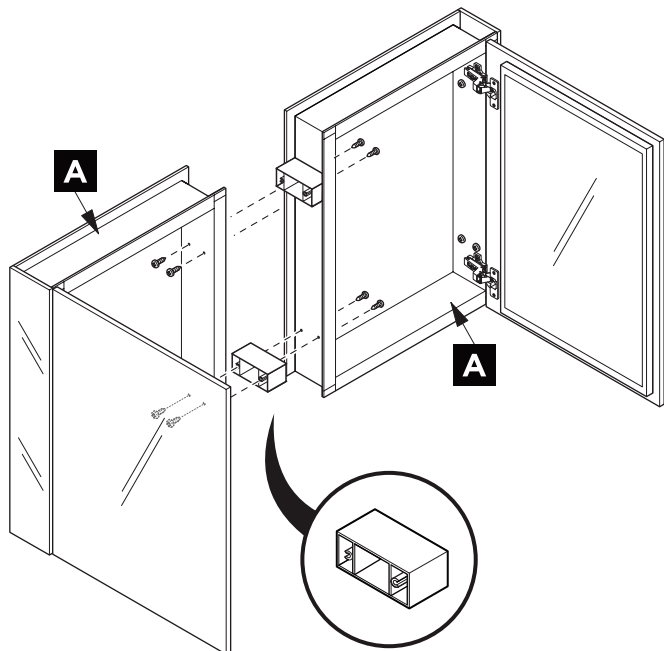


**5** \* Place cabinet (A) on the bottom bracket (K) and secure it with a top bracket (L).



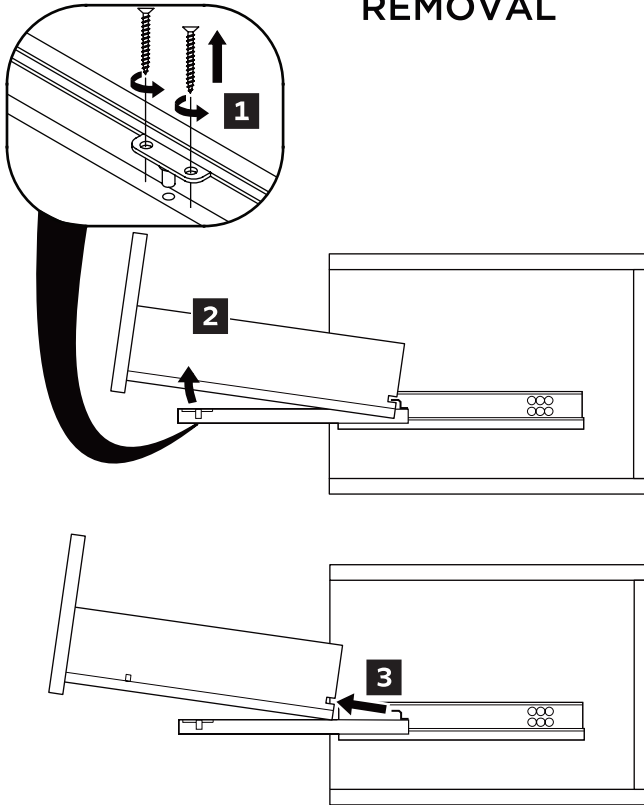
\*This step requires assistance to hold cabinet in place until top bracket is securely attached.

**4** Join the cabinets (A) together.

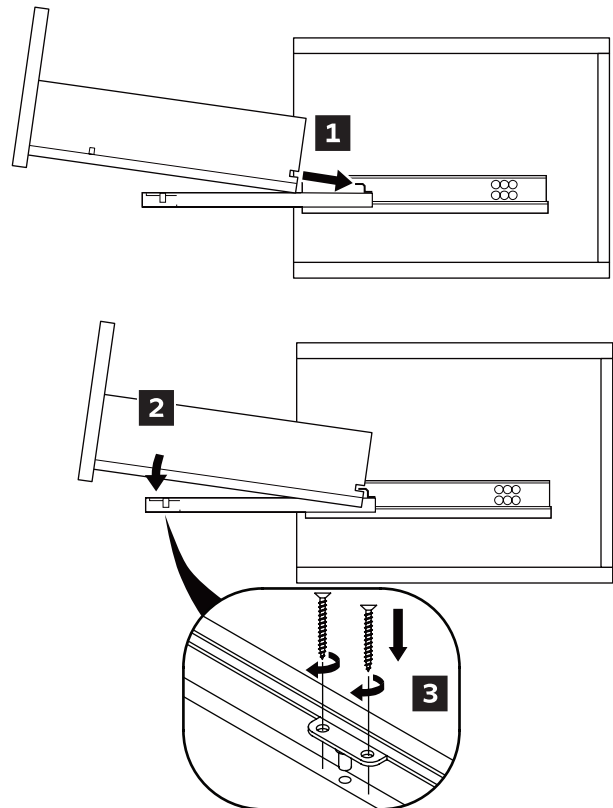


# DRAWER REMOVAL & INSTALLATION

## REMOVAL

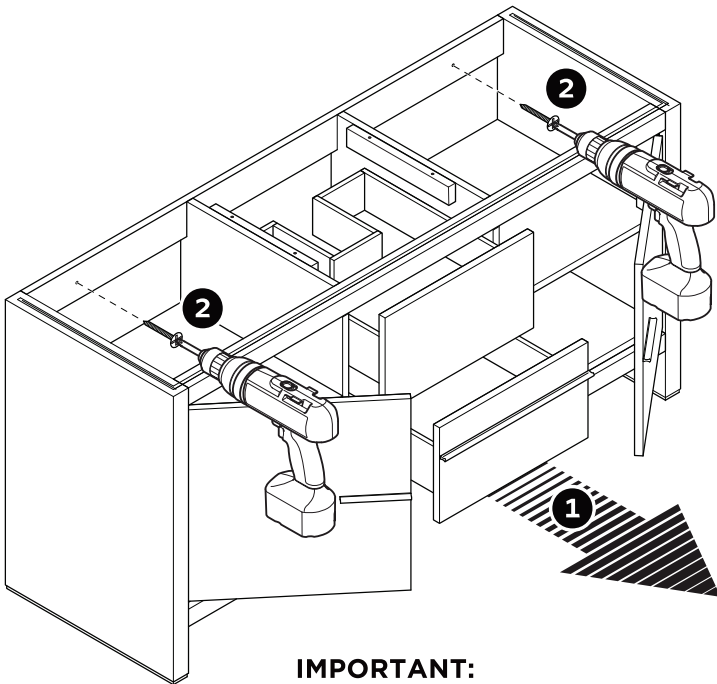


## INSTALLATION



# CABINET/SINK/COUNTERTOP INSTALLATION

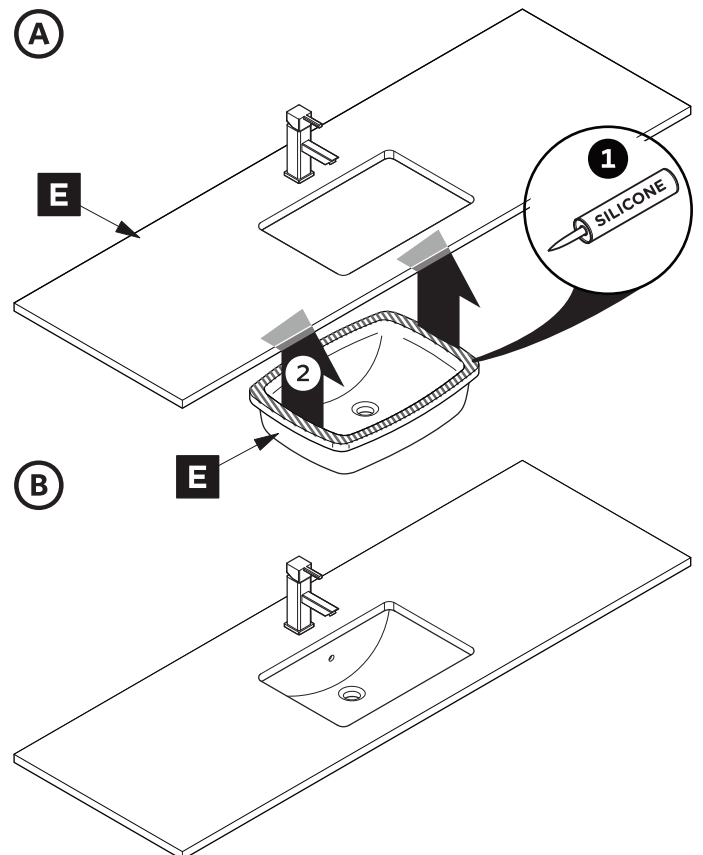
- 1** Remove the drawers and open the doors then attach cabinet to the wall using a drill.



### IMPORTANT:

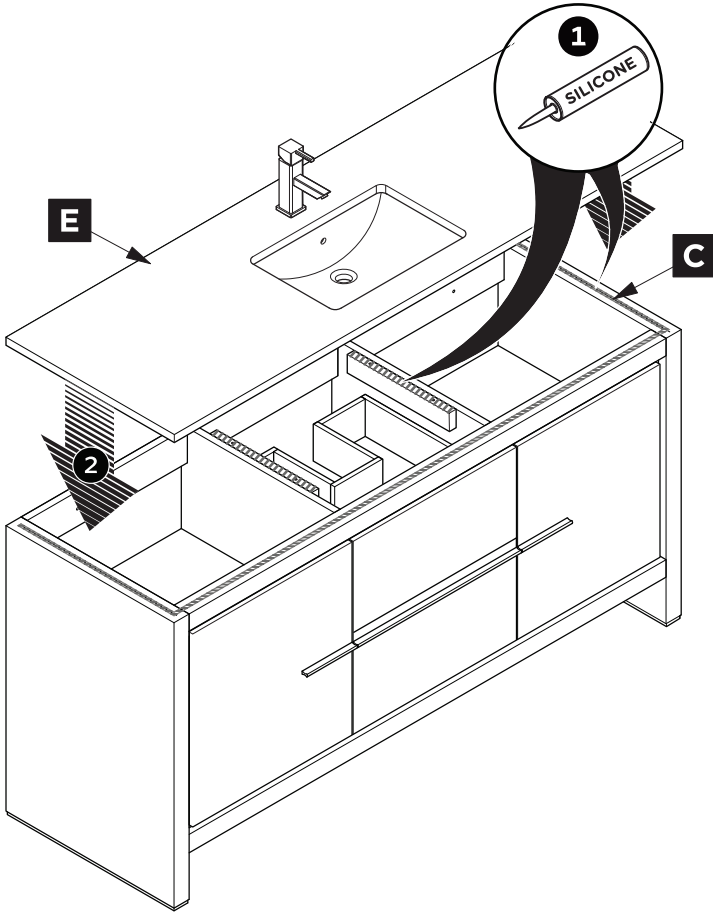
CONSULT AN EXPERT FOR THE PROPER SCREWS/BOLTS TO USE WHEN ATTACHING TO VARIOUS CONSTRUCTIONS. SCREWS PROVIDED DO NOT ATTACH TO ALL WALL CONSTRUCTION TYPES.

- 2** Apply a bead of silicone on the top of the sink (E) and connect the sink to the counter-top (D).

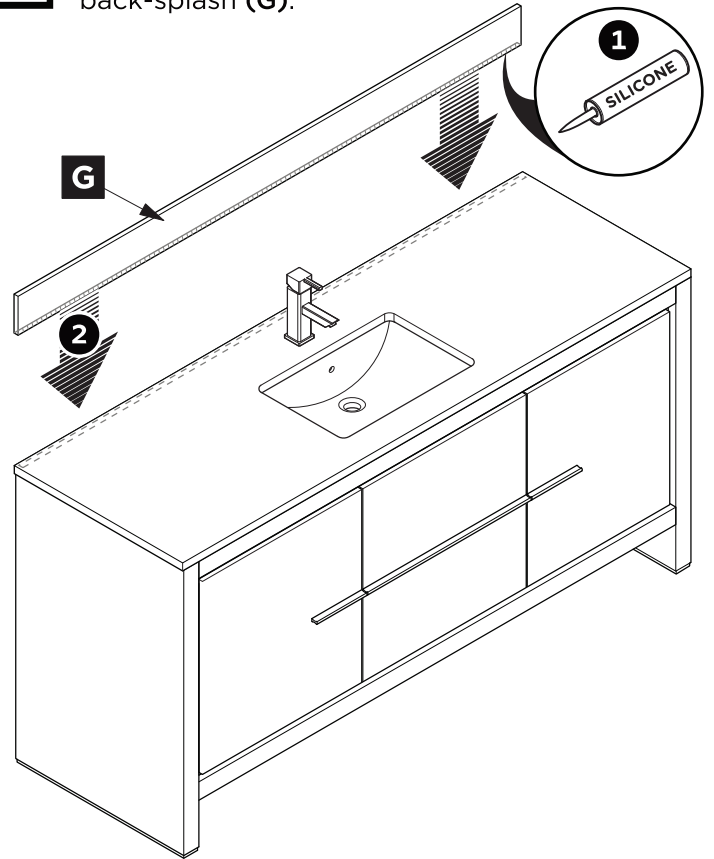


# CABINET/COUNTER-TOP INSTALLATION

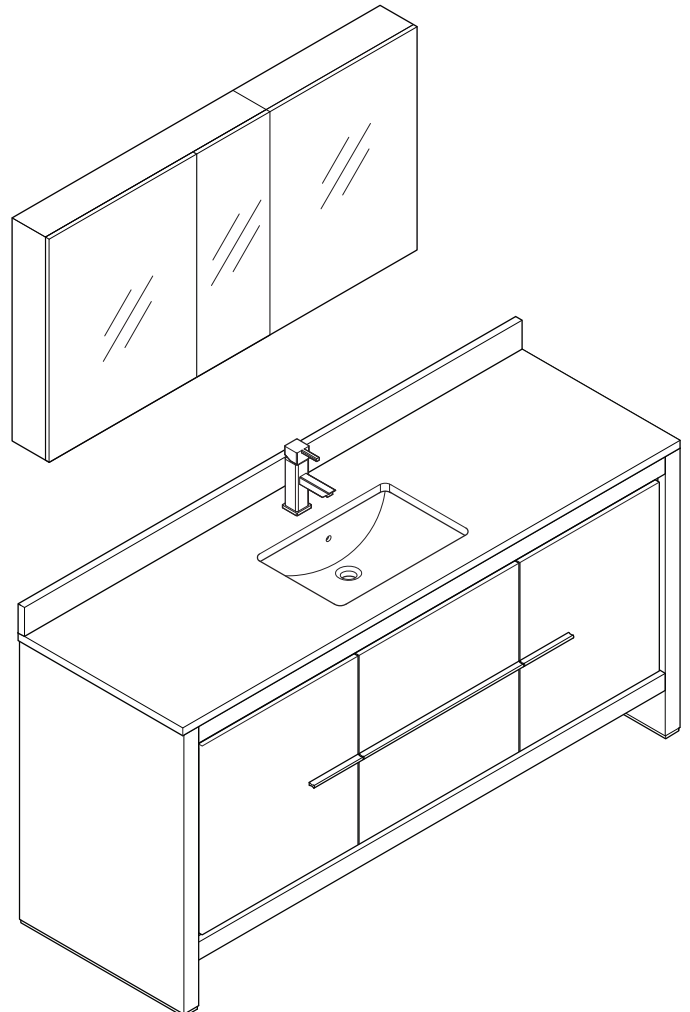
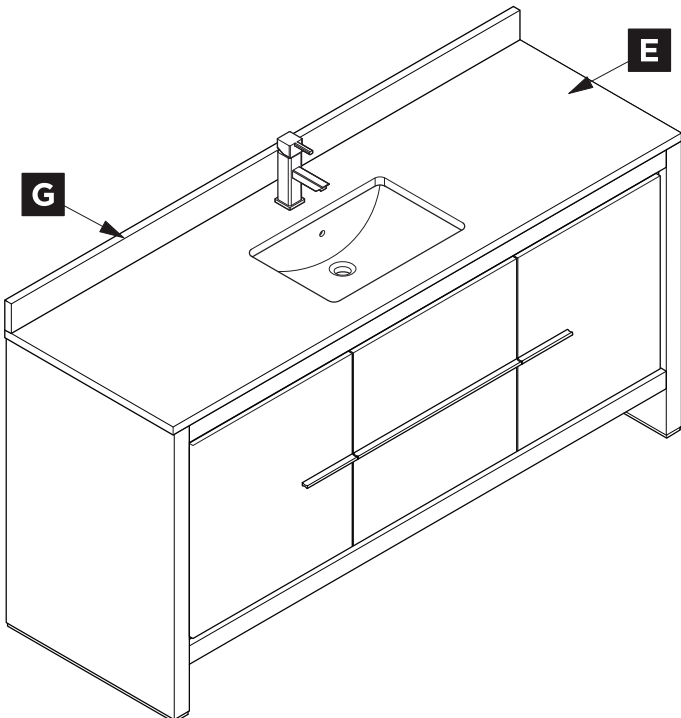
**3** Apply a bead of silicone on the top of the cabinet (C) then place counter-top (E) on it.



**4** Apply a bead of silicone on the bottom of the back-splash (G).

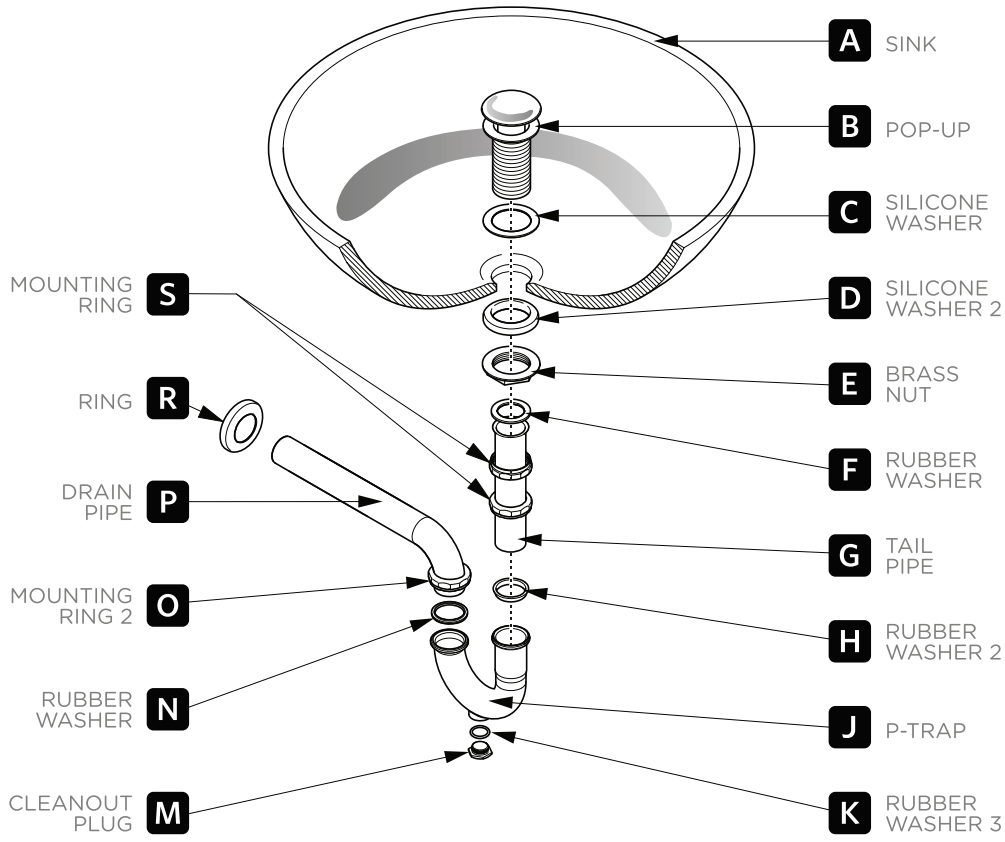


**5** Attach back splash (G) to the counter-top (E).



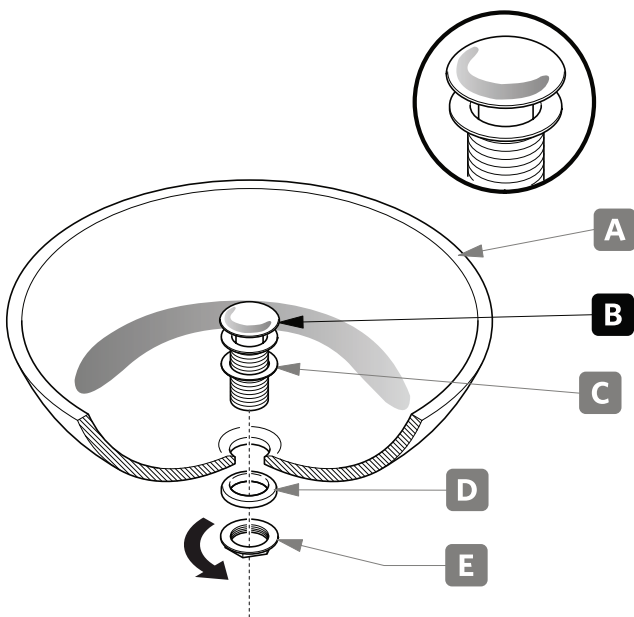
# P-TRAP & POP-UP INSTALLATION INSTRUCTIONS

Your item may appear slightly different from the illustration.



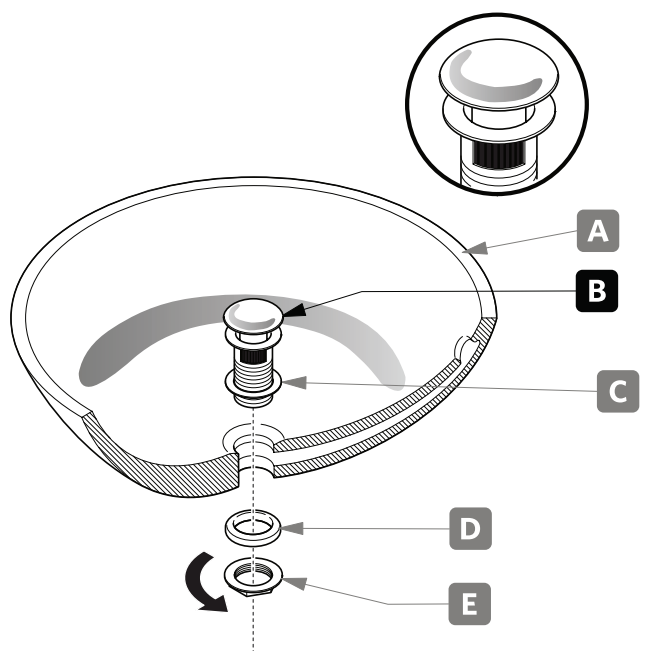
## POP-UP INSTALLATION INSTRUCTIONS

**FOR SINKS WITHOUT OVERFLOW**



OR

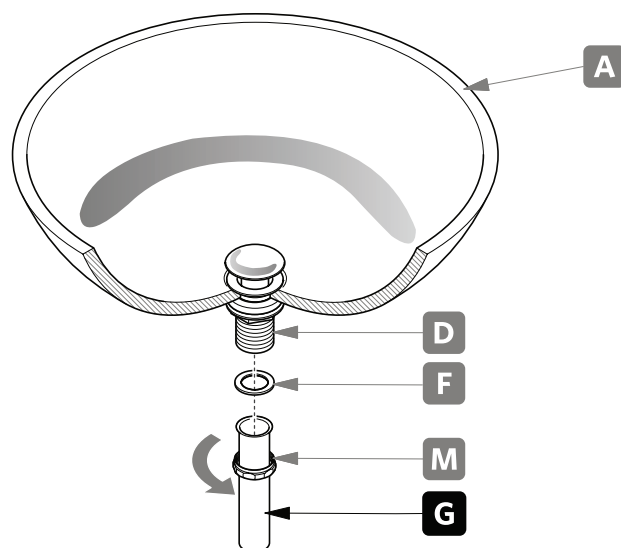
**FOR SINKS WITH OVERFLOW**



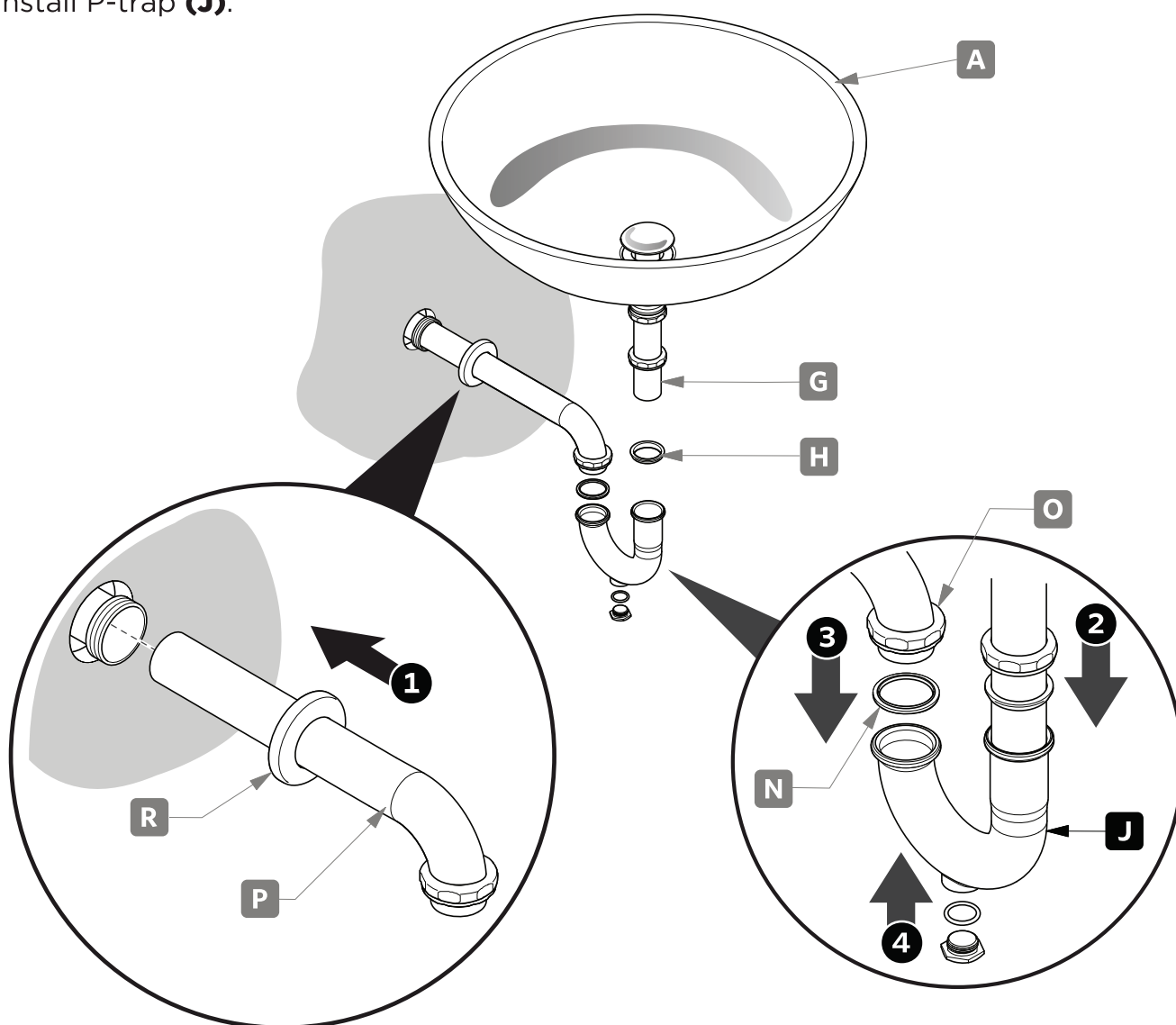


# P-TRAP INSTALLATION

**1** Install tail pipe (G).



**2** Install P-trap (J).



**FVN8119HA-S**

**ALLIER RIO**

**INSTALLATION GUIDE**

PAGE 8