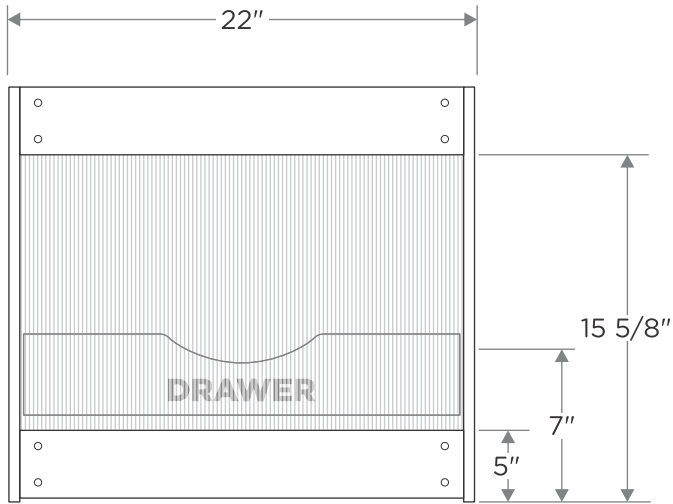


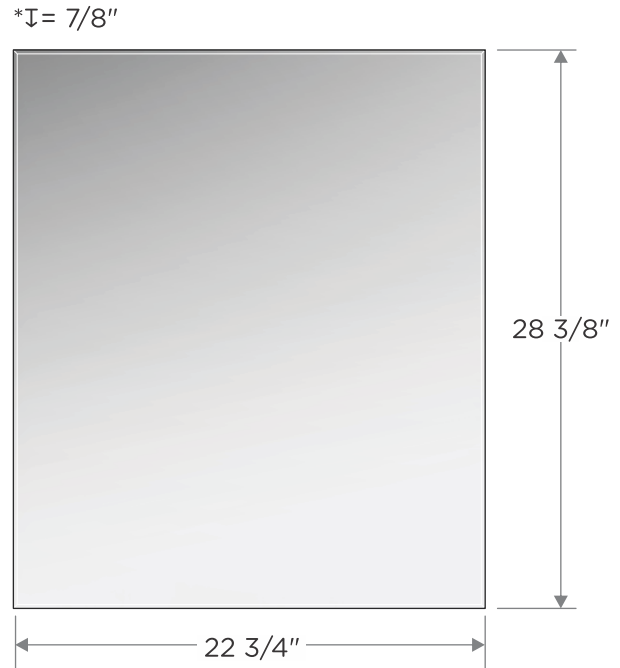
FVN8506HA
SIENA
INSTALLATION GUIDE



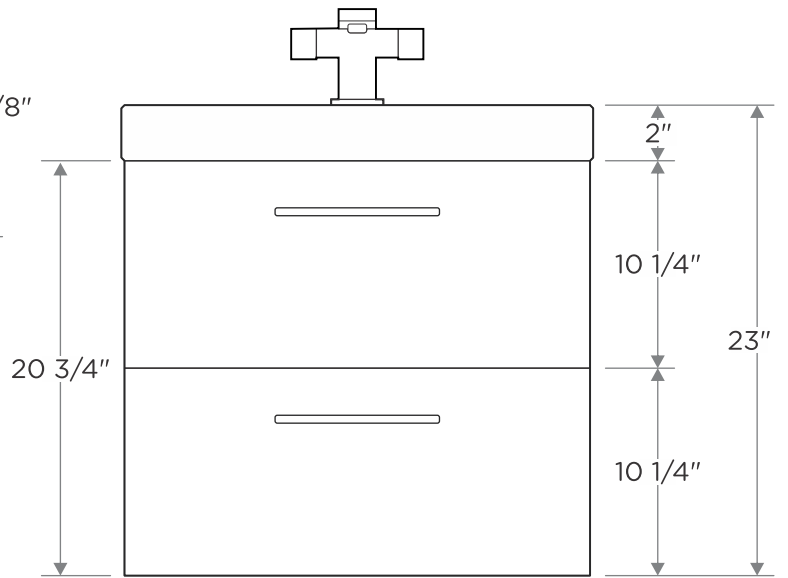
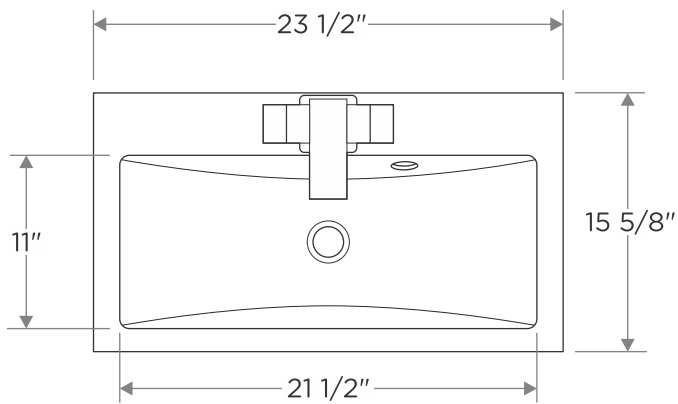
SPECIFICATION SHEET



CABINET
back view



SINK
top view



VANITY ENSEMBLE
front view

*T=15 1/2"

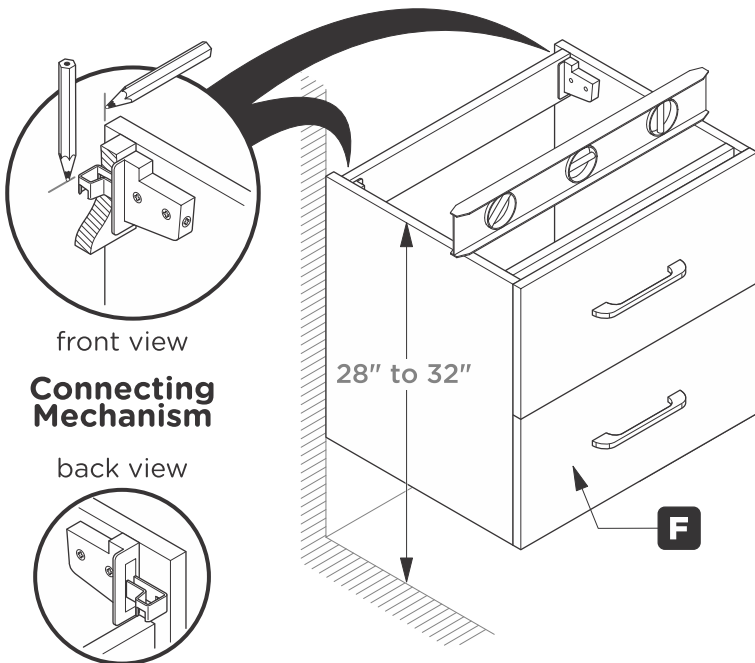
*T= depth

ALL DIMENSIONS & SPECIFICATIONS ARE APPROXIMATE AND SUBJECT TO CHANGE WITHOUT NOTICE.

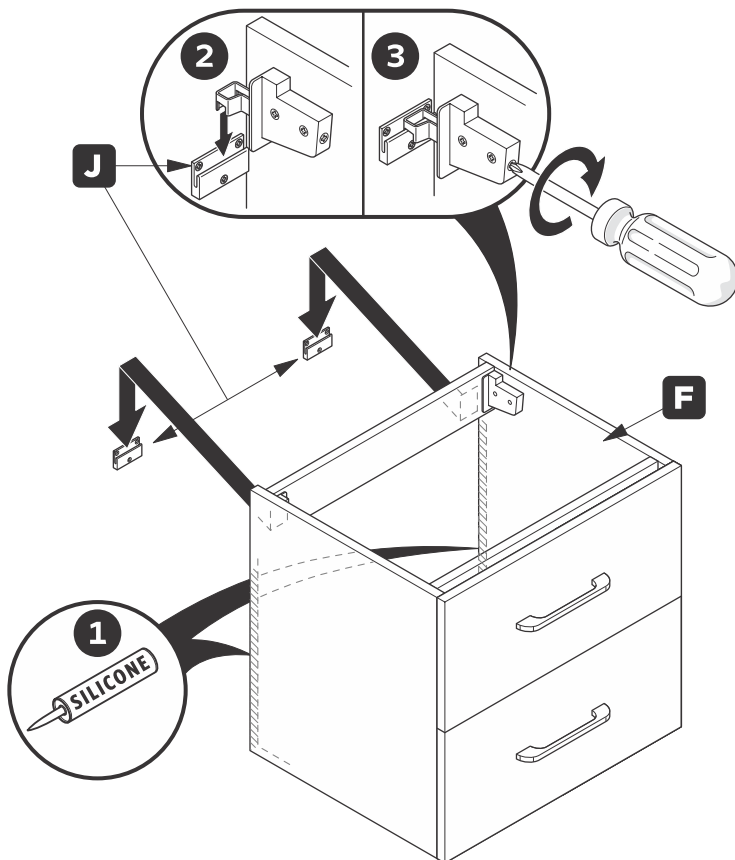
TOOLS FOR ASSEMBLY



1. Locate cabinet **(F)** & mark desired location using a level.

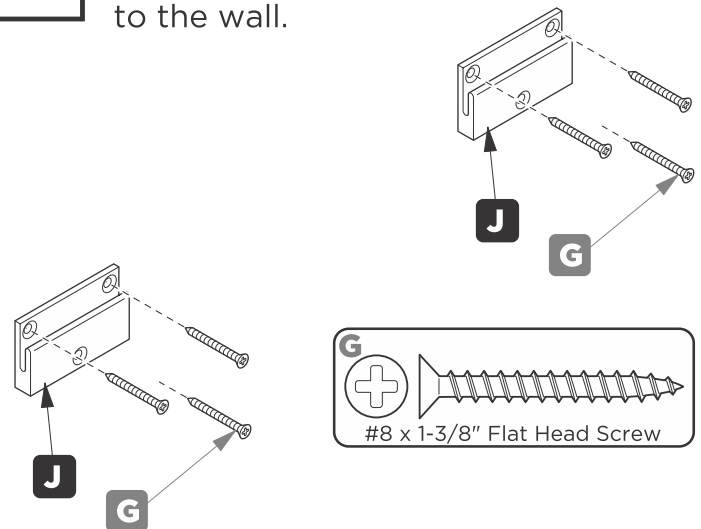


3. Remove drawer then apply silicone & hang the cabinet **(F)** on the brackets **(J)**.



INSTALLATION

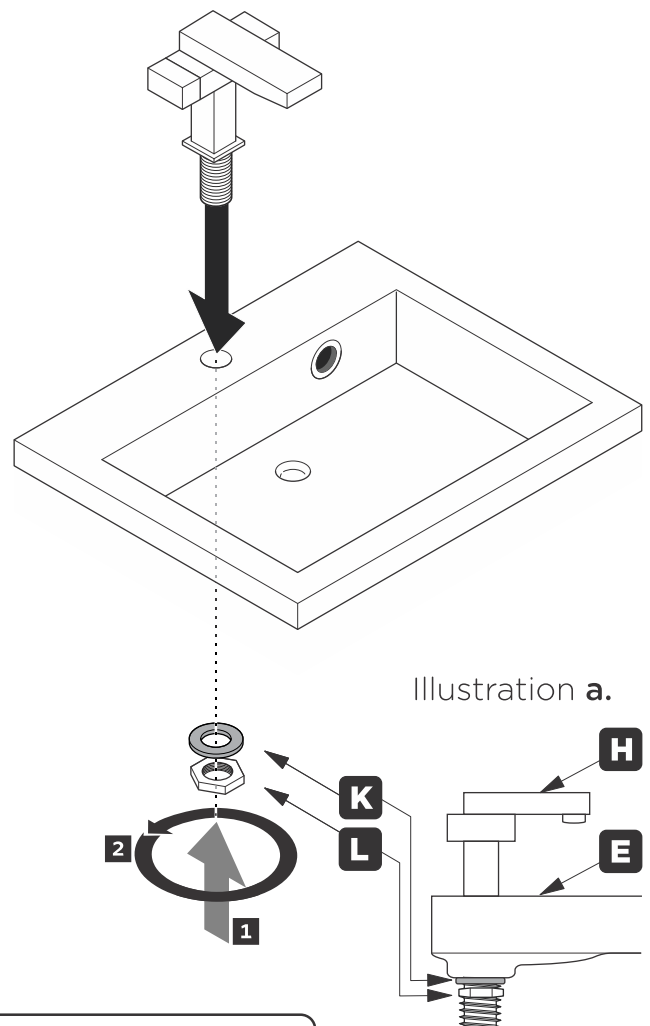
2. Connect wall brackets **(J)** to the wall.



IMPORTANT:

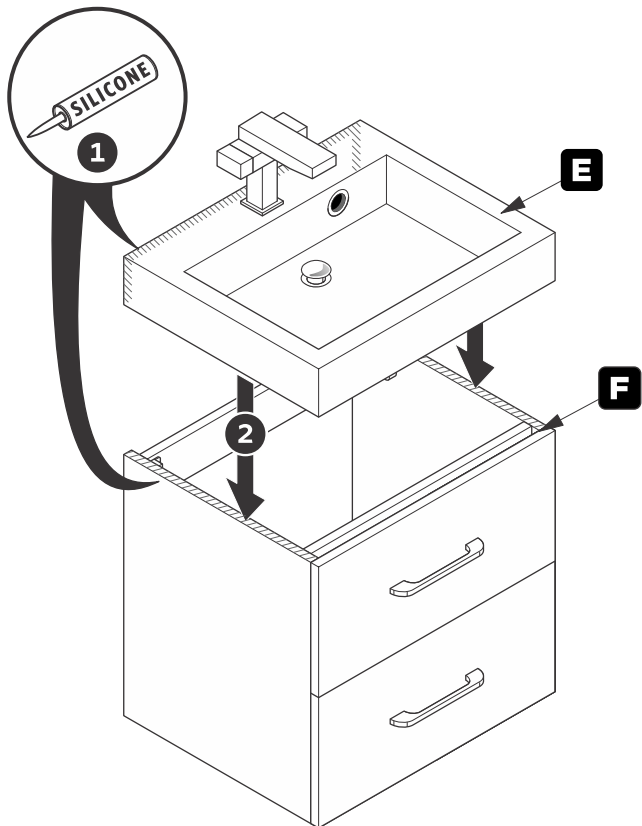
CONSULT AN EXPERT FOR THE PROPER SCREWS/BOLTS TO USE WHEN ATTACHING TO VARIOUS WALL CONSTRUCTIONS. SCREWS PROVIDED **DO NOT ATTACH** TO ALL WALL CONSTRUCTION TYPES.

4. Attach faucet **(H)** to the sink **(E)** securing it with a rubber washer **(K)** and nut **(L)**. (See illustration a.)



INSTALLATION

5. Apply silicone & place sink **(E)** on the cabinet **(F)**.



6. Hang mirror according to Illustration b. for center aligned installation.

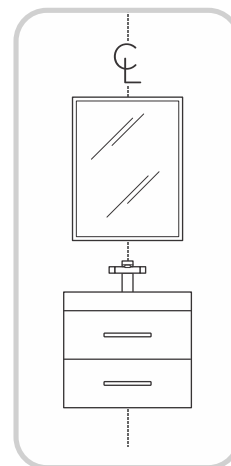
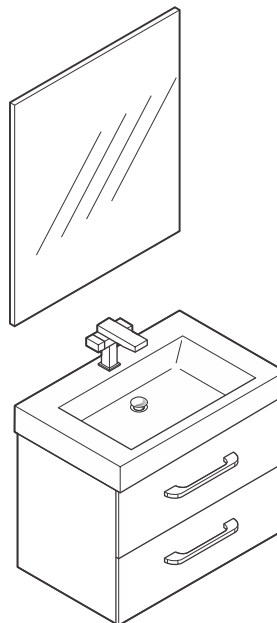
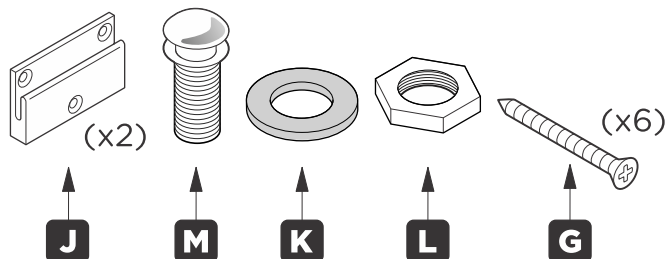
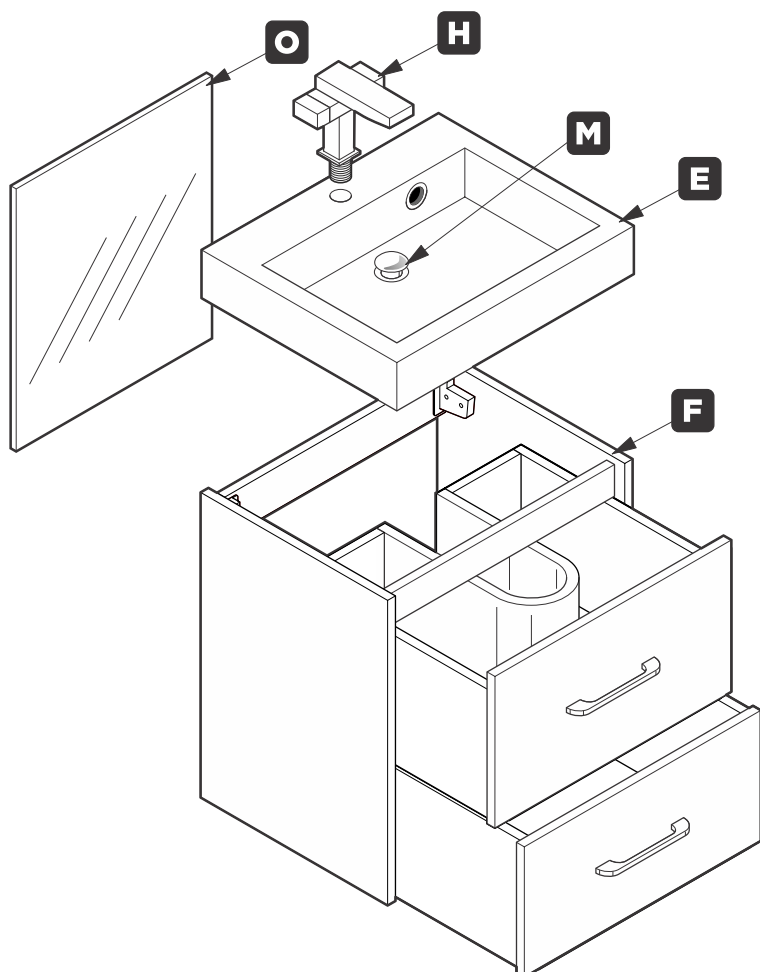


Illustration b.

*See PAGE 4 for more information on mirror hanging instructions.



CONSULT AN EXPERT FOR THE PROPER SCREWS/BOLTS TO USE WHEN ATTACHING TO VARIOUS WALL CONSTRUCTIONS. SCREWS PROVIDED DO NOT ATTACH TO ALL WALL CONSTRUCTION TYPES.

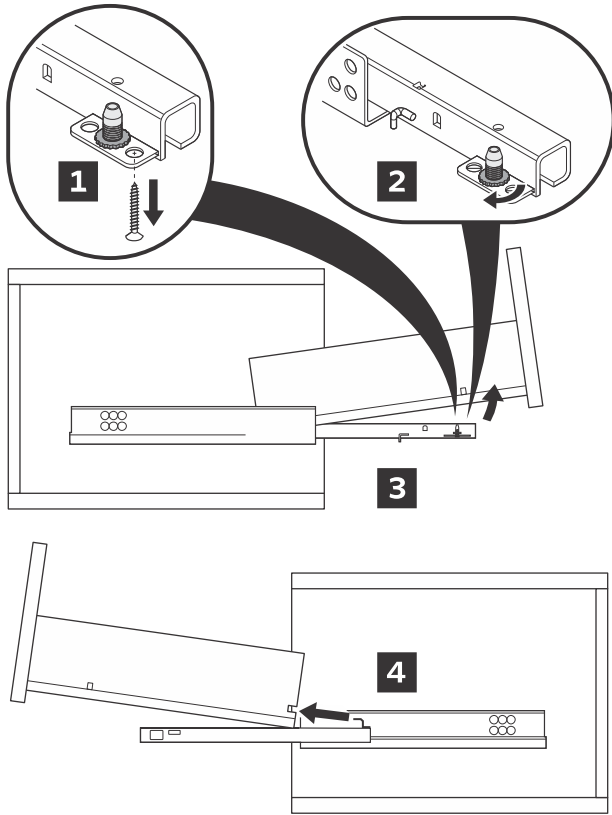


PARTS

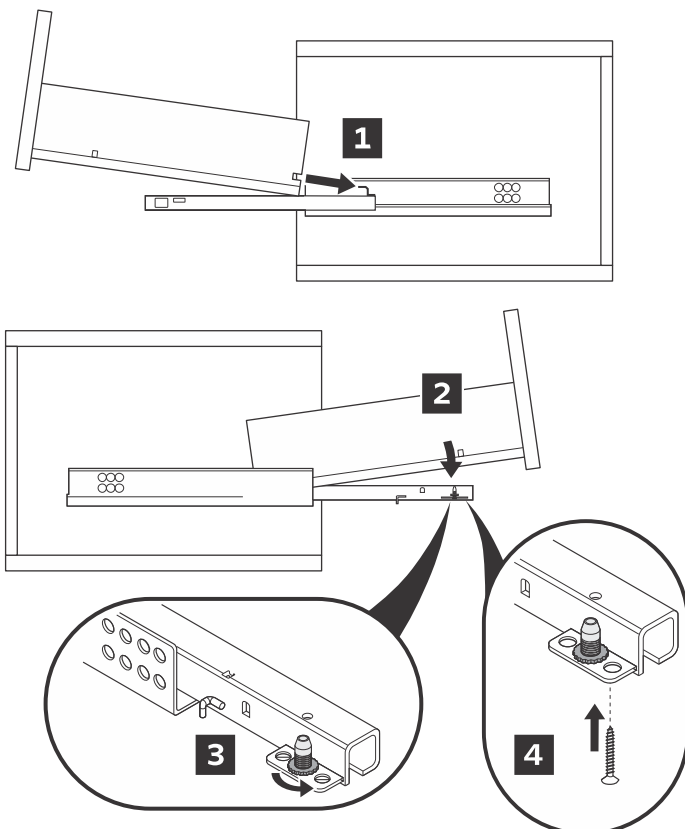
- E** Sink
- F** Cabinet
- G** #8 Screw
- H** Faucet
- J** Wall bracket
- K** Washer
- L** Nut
- M** Pop up drain
- O** Mirror

DRAWER REMOVAL & INSTALLATION

REMOVAL

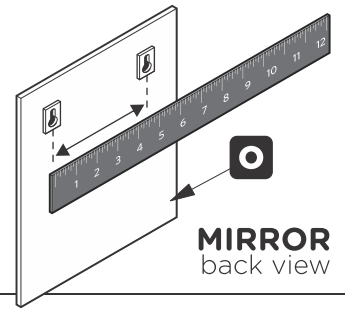


INSTALLATION

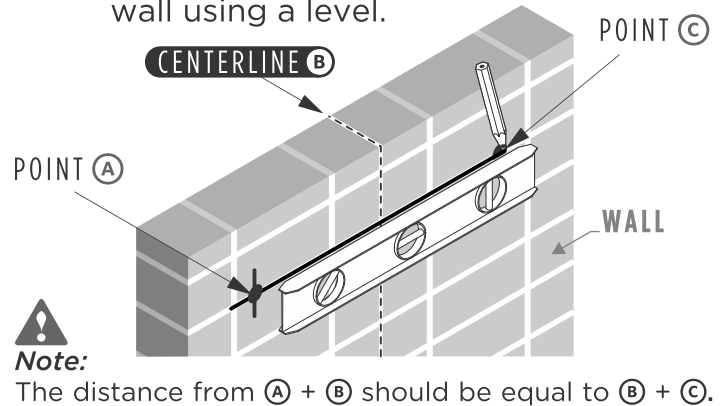


MIRROR HANGING INSTRUCTIONS

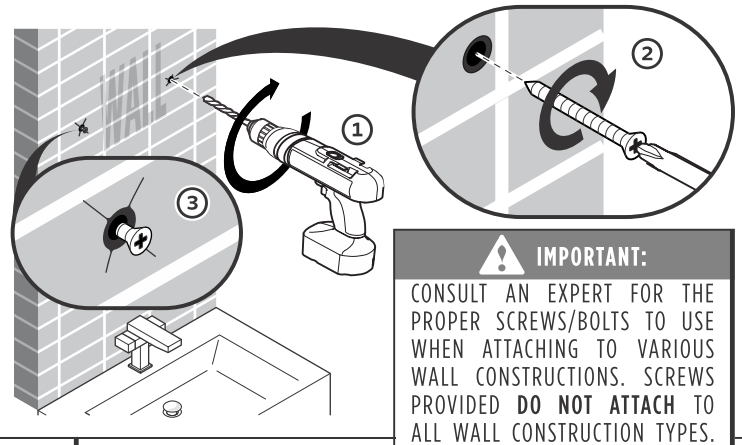
1. Flip the mirror (O) over and measure the distance between the holes.



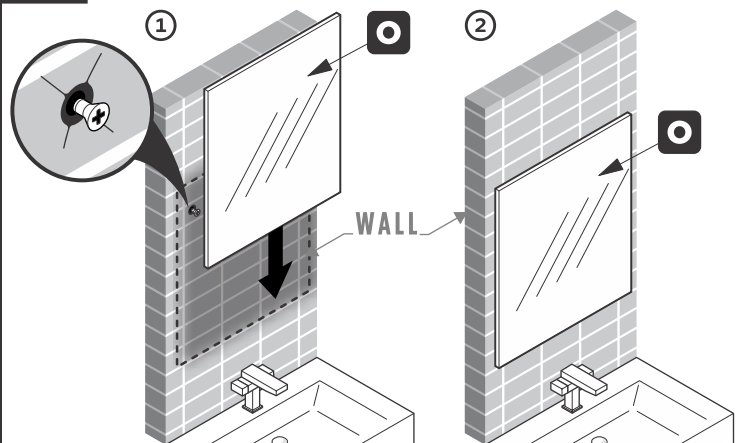
2. Mark the measured distance between point a. to point c. on the wall using a level.



3. Once position is marked drill 2 holes and insert the screws (G).



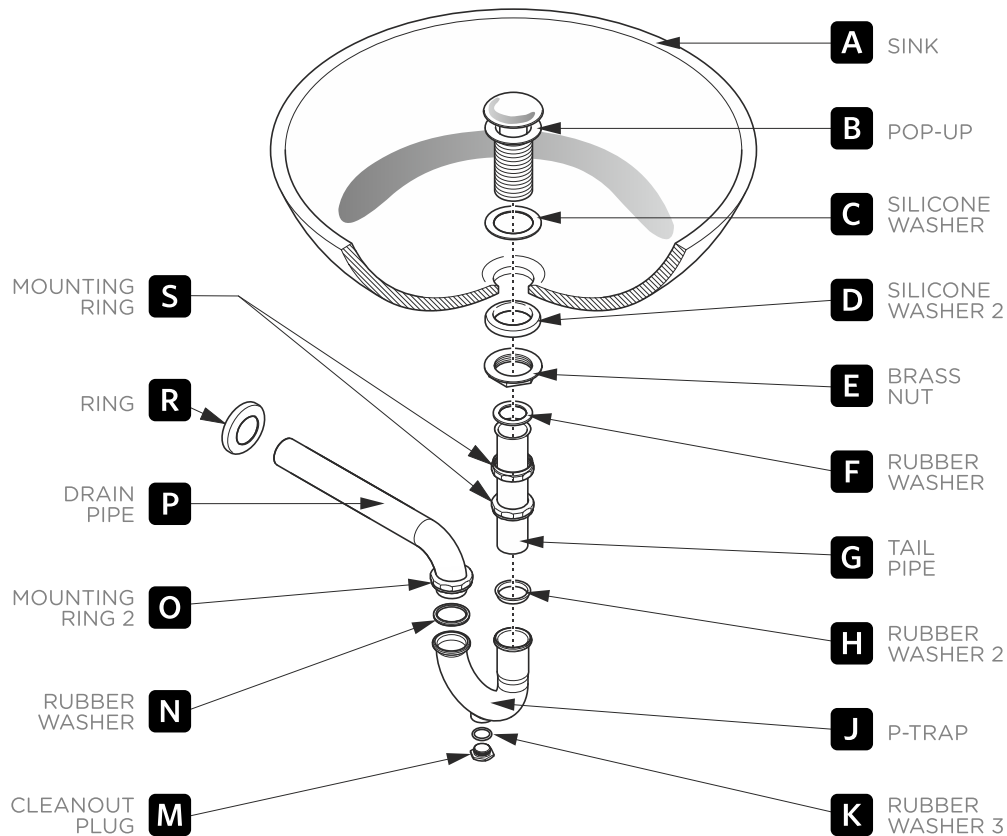
4. Hang mirror (O) on the wall.



P-TRAP & POP-UP

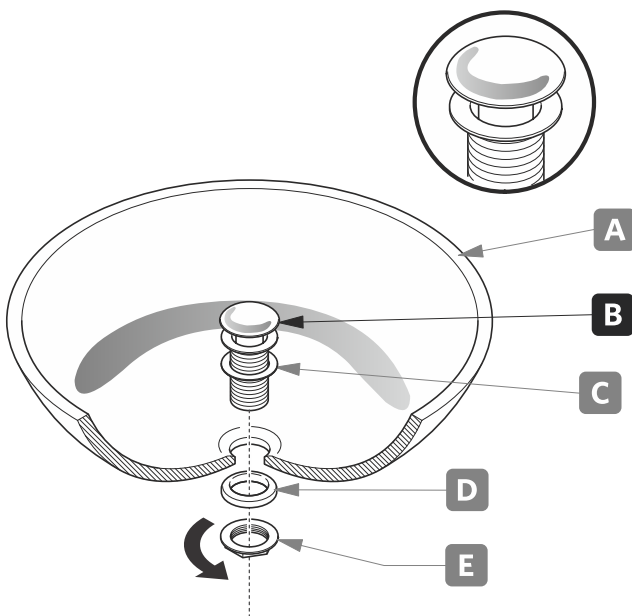
INSTALLATION INSTRUCTIONS

YOUR ITEM MAY APPEAR SLIGHTLY DIFFERENT FROM THE ILLUSTRATION.



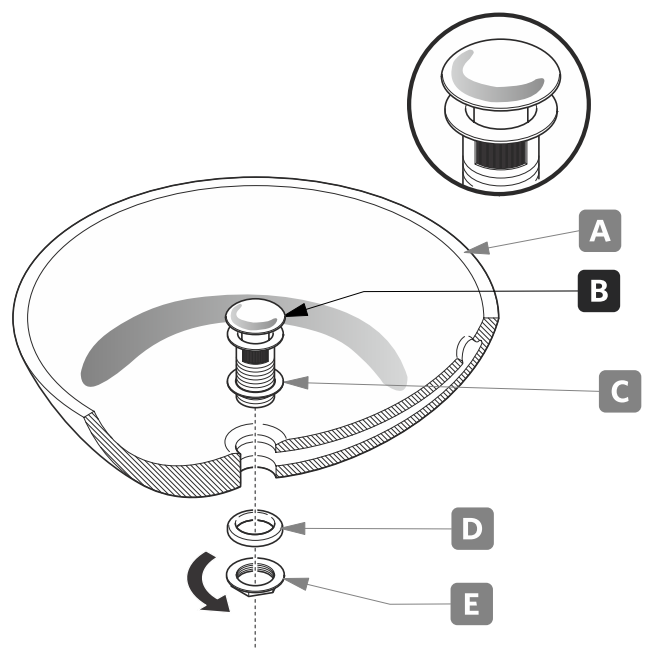
POP-UP INSTALLATION

FOR SINKS WITHOUT OVERFLOW



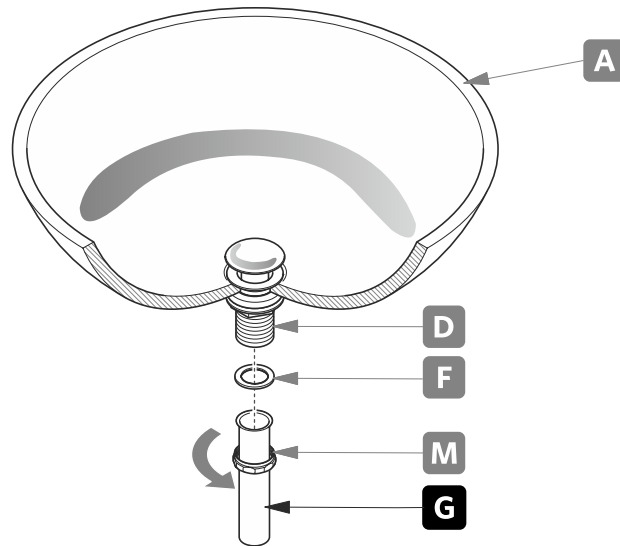
OR

FOR SINKS WITH OVERFLOW



P-TRAP INSTALLATION

1. Install tail pipe (G).



2. Install P-trap (J).

