



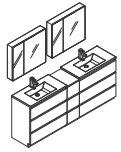
SENZA

INSTALLATION GUIDE

FVN93-361236

CONTENTS:

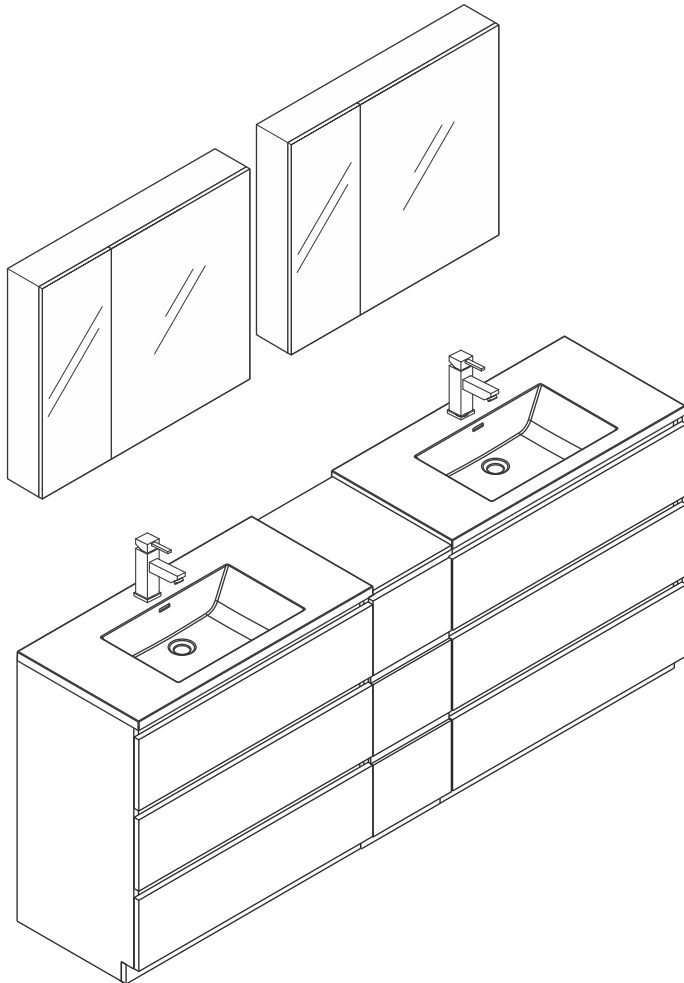
Medicine Cabinet.....	FMC8090 (X2).....	PAGE 3
Cabinet.....	FCB93-361236.....	PAGE 7
Sink.....	FVS9336WH.....	PAGE 7



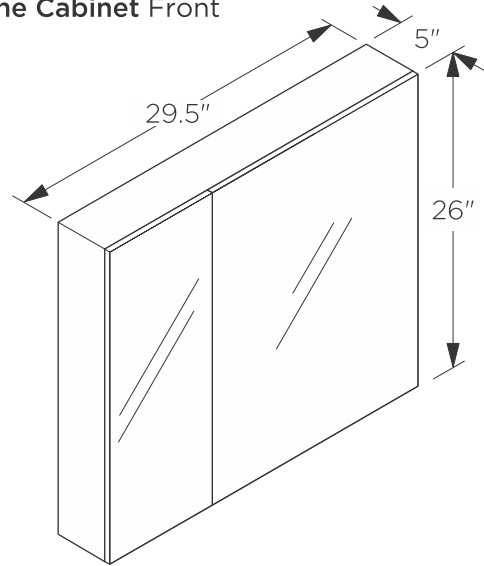
FVN93-361236
SENZA
INSTALLATION GUIDE



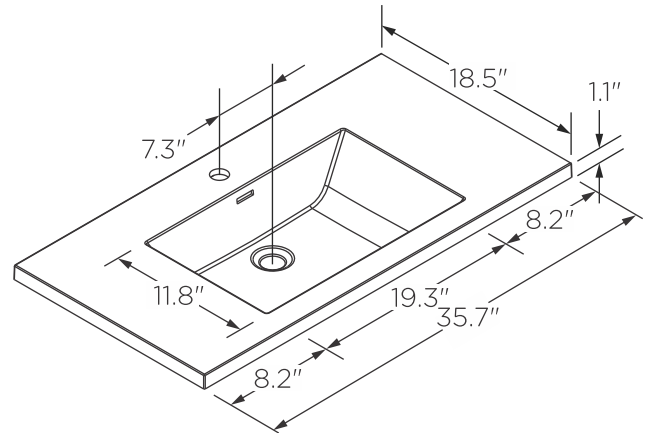
FVN93-361236
Vanity Front



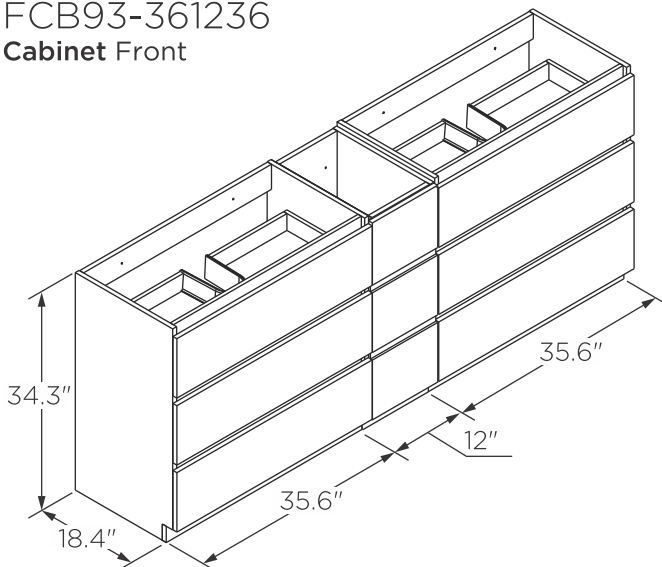
FMC8090 (X2)
Medicine Cabinet Front



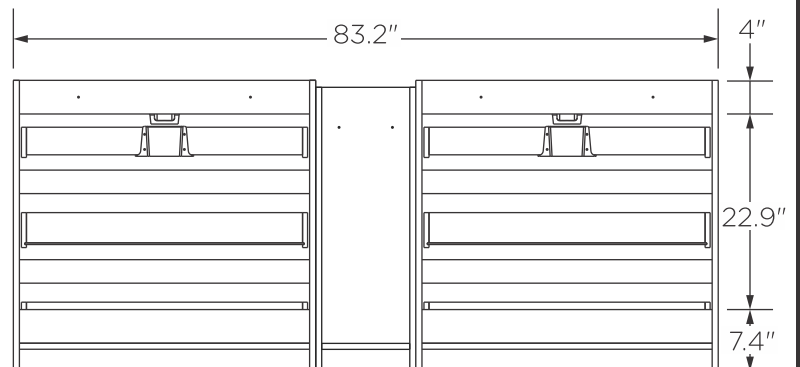
FVS9336WH (X2)
Counter Top Front



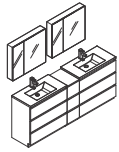
FCB93-361236
Cabinet Front



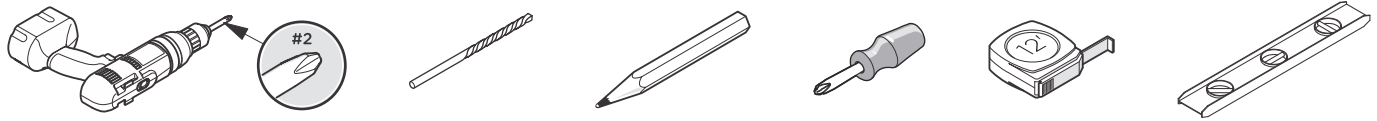
FCB93-361236
Cabinet Back



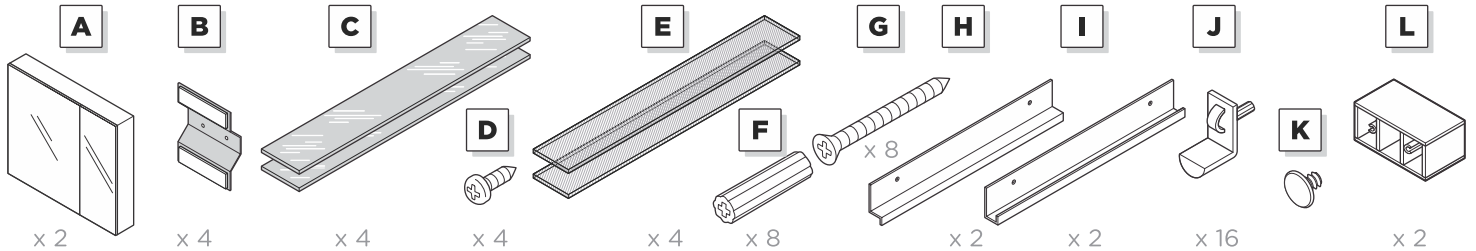
NOTE: All dimensions & specifications are approximate and subject to change without notice.



TOOLS REQUIRED FOR ASSEMBLY

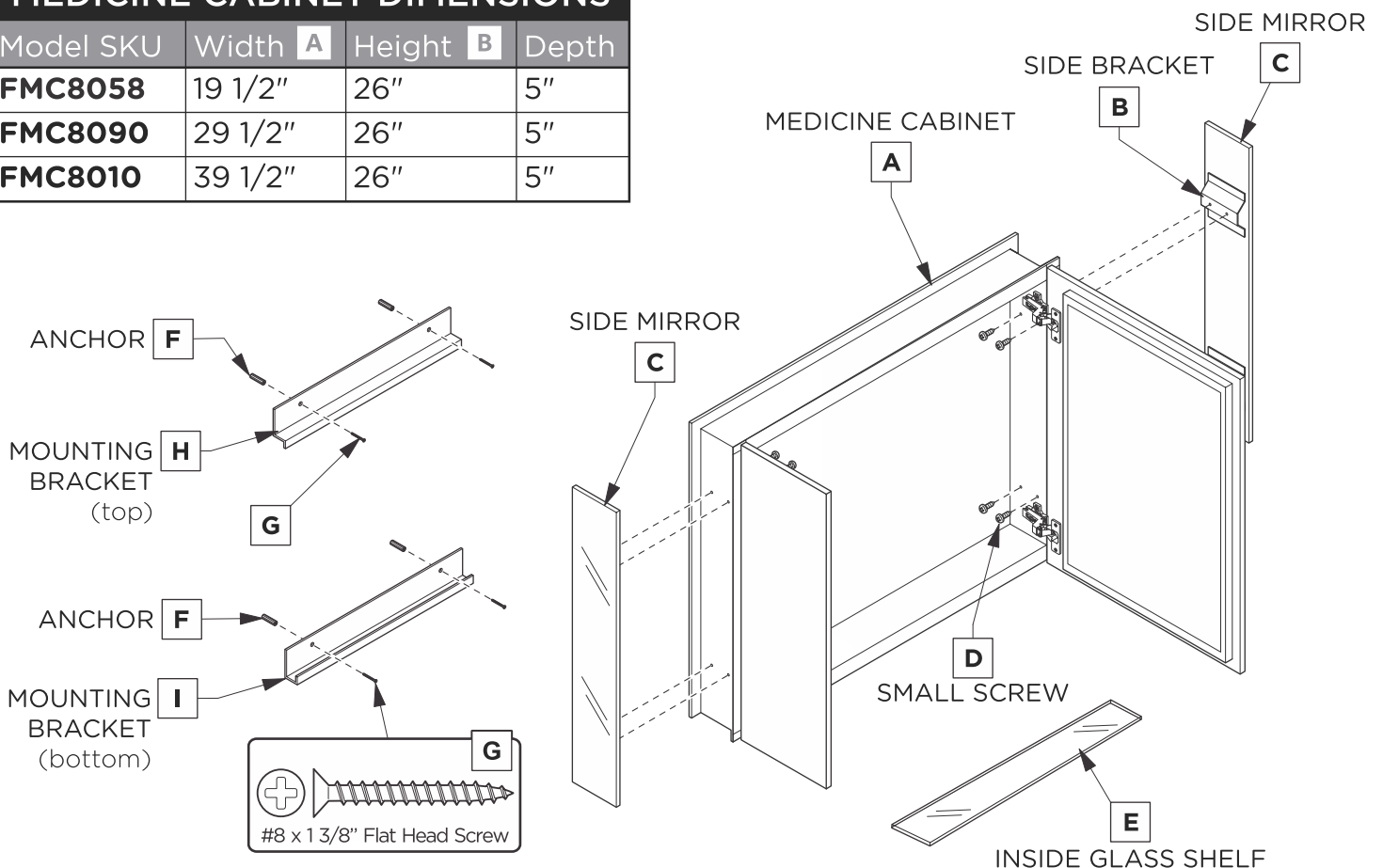


SUPPLIED PARTS



MEDICINE CABINET DIMENSIONS

Model SKU	Width A	Height B	Depth
FMC8058	19 1/2"	26"	5"
FMC8090	29 1/2"	26"	5"
FMC8010	39 1/2"	26"	5"



Note: Your item may appear slightly different from the illustration.



DANGER:
Risk of electronic shock. Avoid existing electrical wiring or plumbing when mounting this product to the wall.

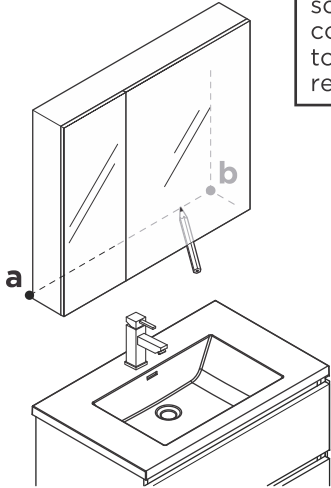


WARNING:
Risk of property damage. Use anchors rated for the loaded weight of the product. Refer to the anchor manufacturer's instructions.

MEDICINE CABINET INSTALLATION

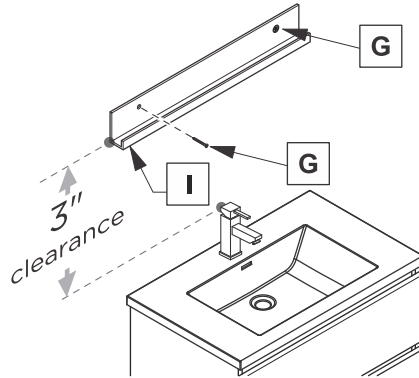
SURFACE-MOUNT INSTALLATION

- 1** Level and mark the cabinet's location on the wall.

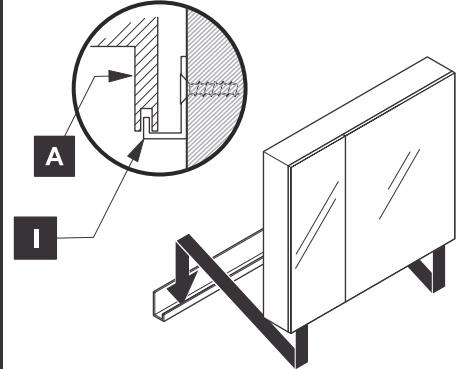


- 2** Attach a bottom bracket (I) to the wall.

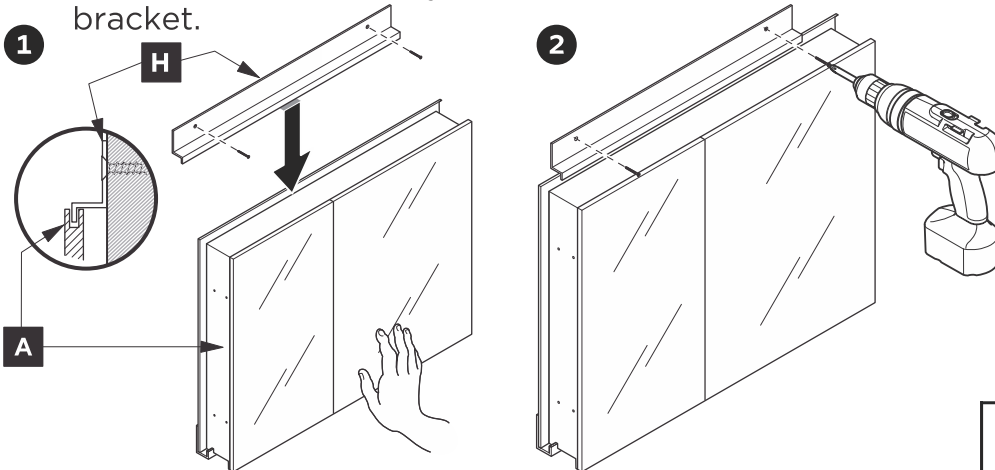
IMPORTANT: Consult an expert for the proper screws/bolts to use when attaching to various constructions. Screws provided *do not* attach to all wall construction types. Anchors are not required if the brackets are installed in stud.



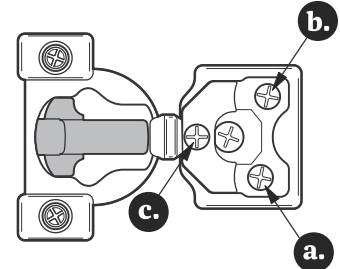
- 3** Rest the medicine cabinet (A) on the bottom mounting bracket (I) and hold it in place.



- 4** Secure the cabinet by fitting the top bracket (H) on the top of the cabinet and attach it to the wall while the cabinet firmly stands on the bottom bracket.

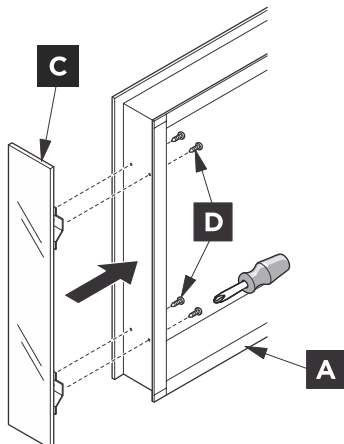


OPTIONAL DOOR ADJUSTMENT

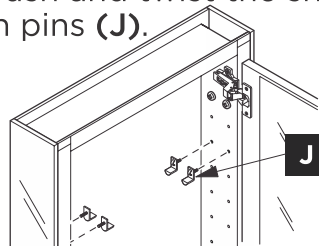


- a. Allow you to adjust pitch side to side.
- b. Releases cabinet's door and allows up & down adjustment.
- c. Allow you to adjust the gap between the doors.

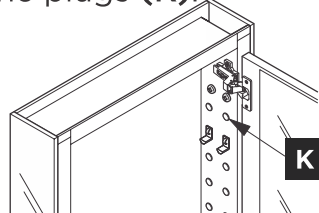
- 5** Open the door and attach side mirrors with a screwdriver using provided screws (D).



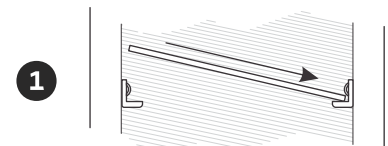
- 6** Push and twist the snap-in pins (J).



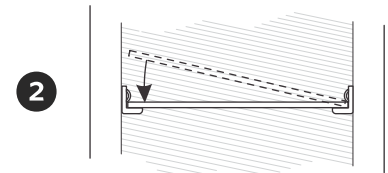
- 7** Fill remaining holes with the plugs (K).



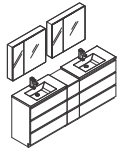
- 8** Push a side of the shelf (E) into left or right pins (J).



Snap the shelf (E) down into the opposite side.

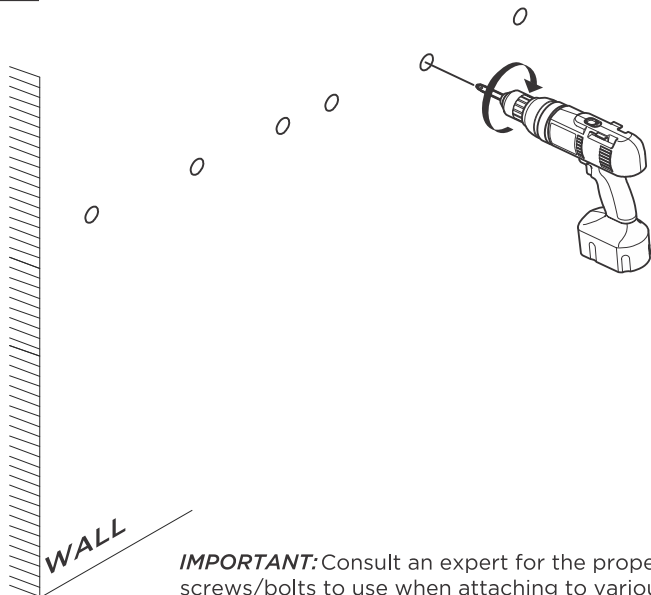


- 9** Repeat the steps for the second cabinet.



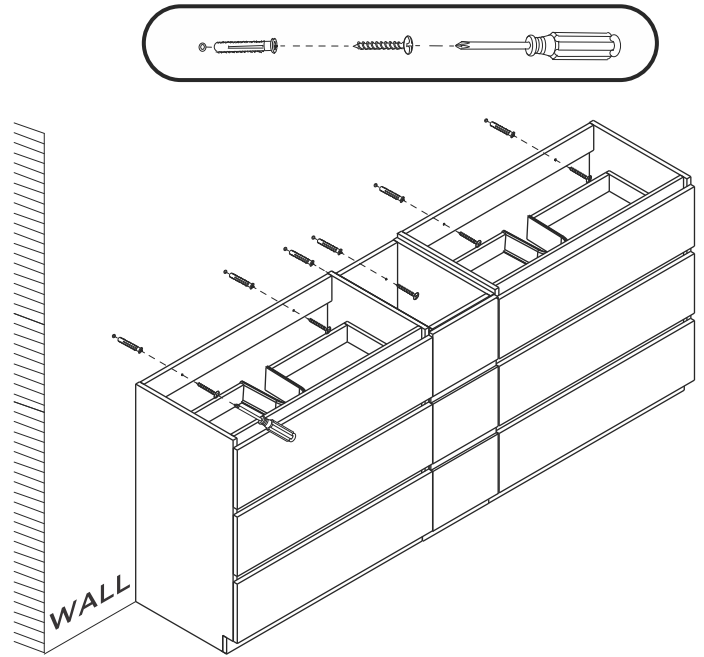
CABINET INSTALLATION

1 Drill holes and insert the dowels.

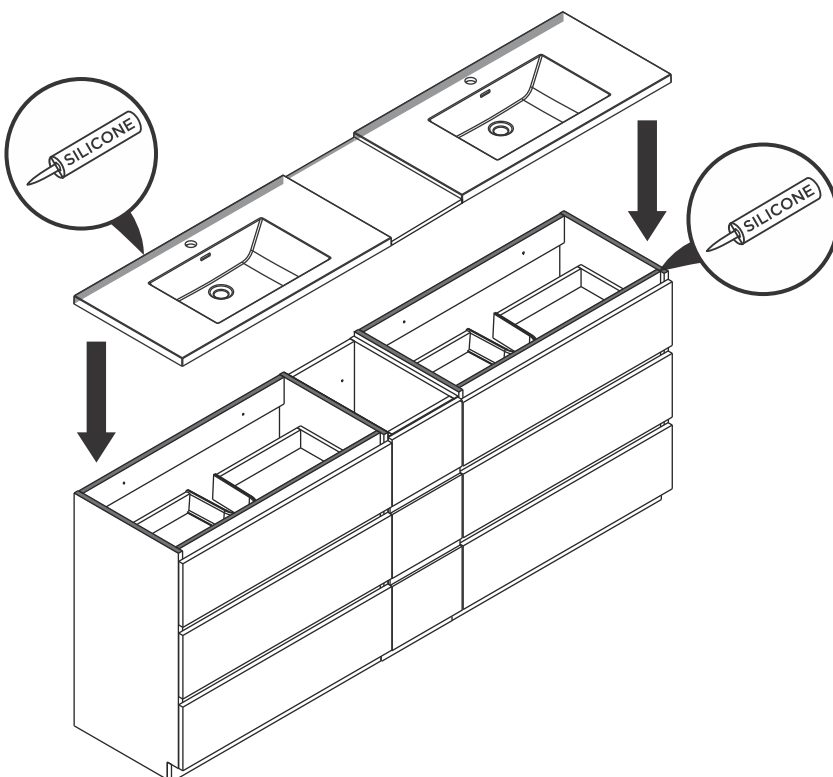


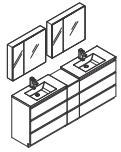
IMPORTANT: Consult an expert for the proper screws/bolts to use when attaching to various constructions. Screws provided do not attach to all wall construction types. Anchors are not required if brackets are installed in stud.

2 Mark anchor mounting hole locations on wall as shown. Drill holes in the finished wall as required.



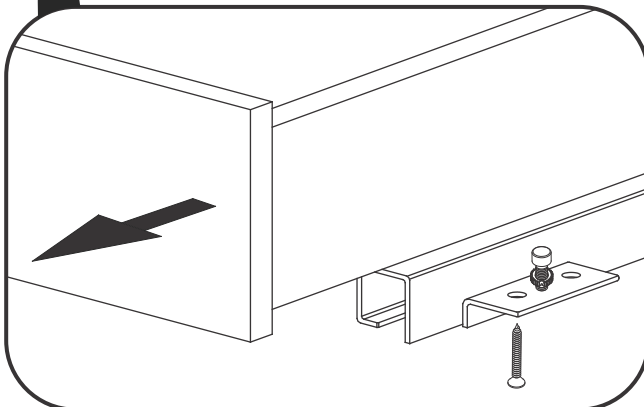
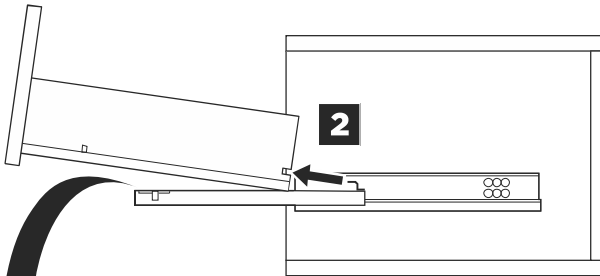
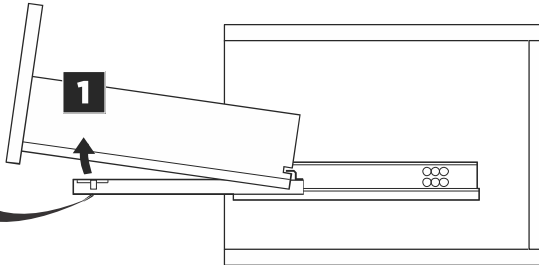
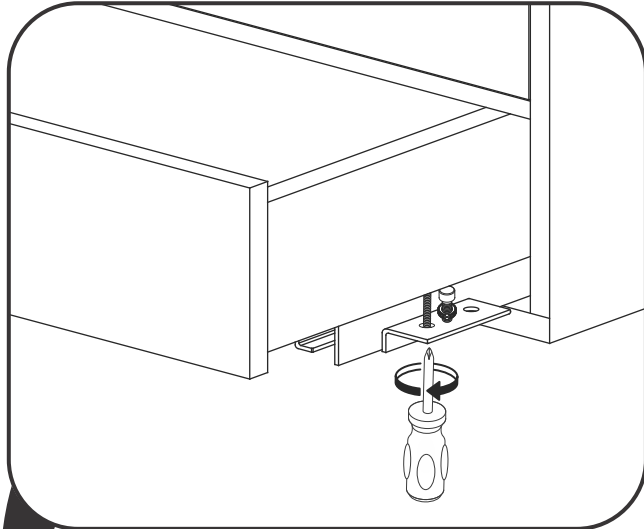
3 Apply silicone and install sink.



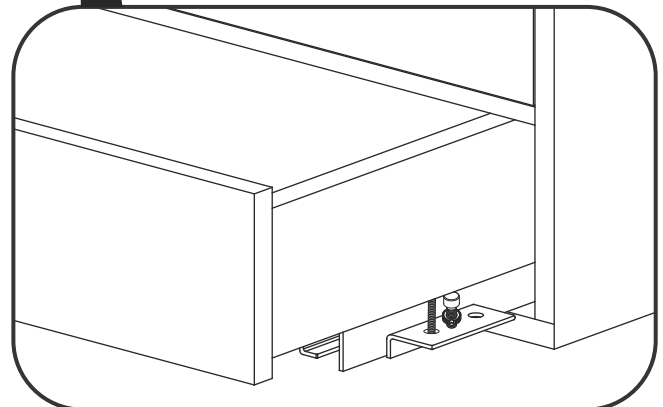
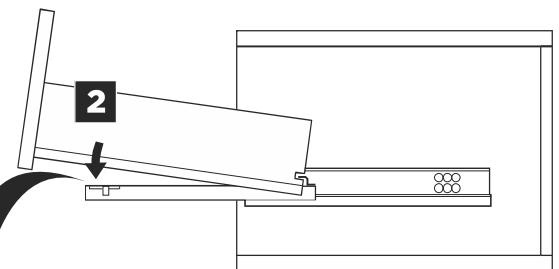
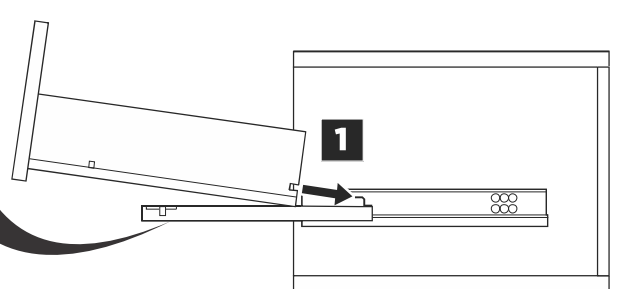
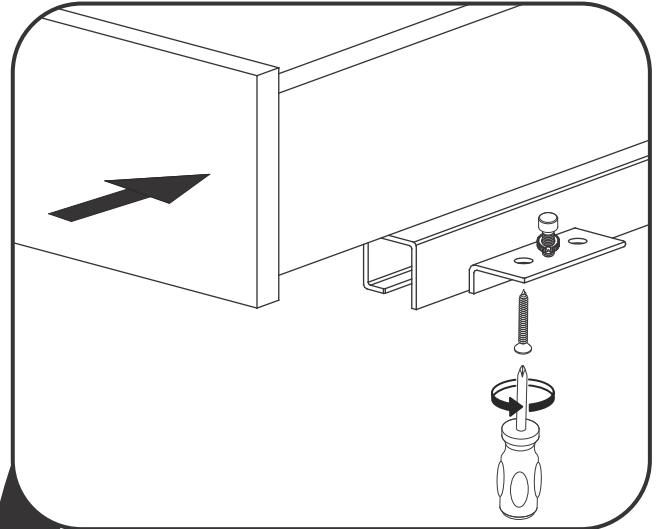


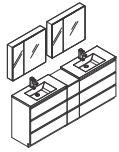
DRAWER REMOVAL & INSTALLATION

REMOVAL



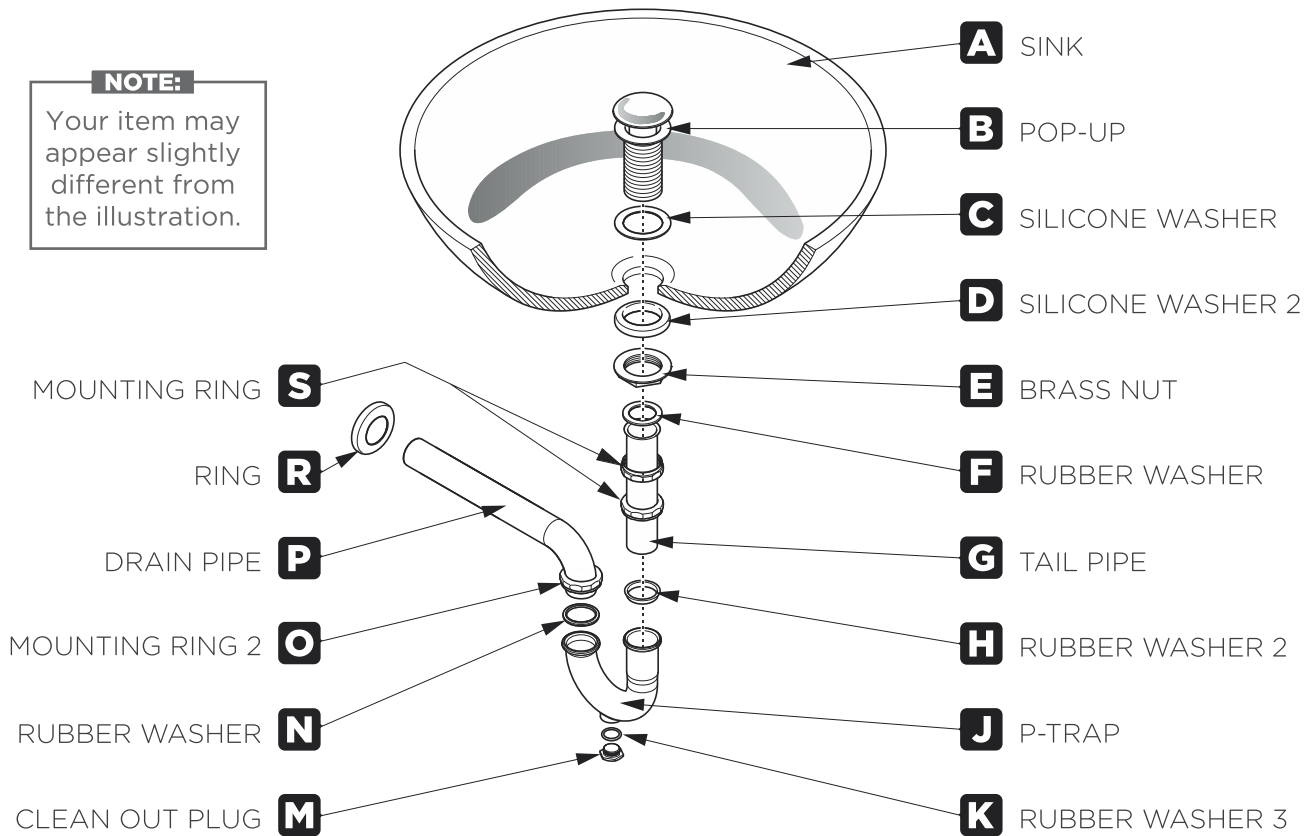
INSTALLATION





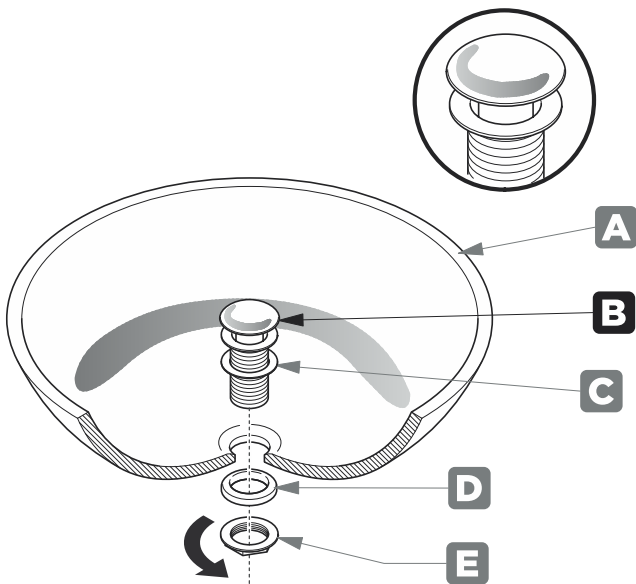
P-TRAP AND POP-UP INSTALLATION INSTRUCTIONS

NOTE:
 Your item may appear slightly different from the illustration.



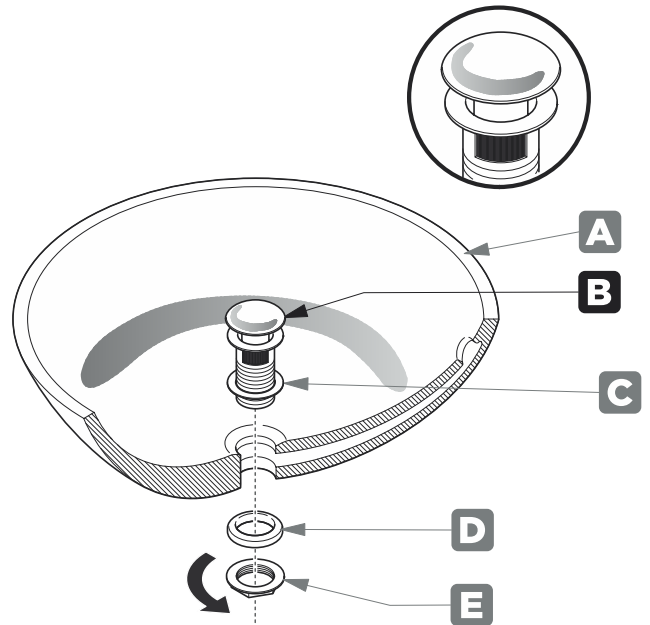
POP-UP INSTALLATION INSTRUCTIONS

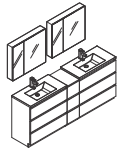
FOR SINKS WITHOUT OVERFLOW



OR

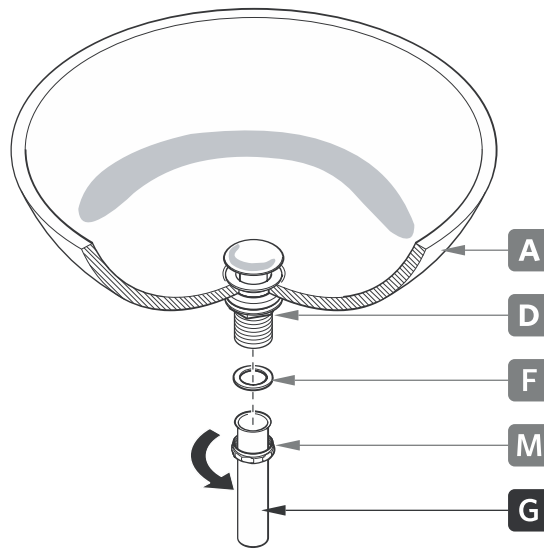
FOR SINKS WITH OVERFLOW





P-TRAP INSTALLATION

1 Install tail pipe (G)



2 Install p-trap (J)

