

SHOWER  
M.E. 25 M-Series Thermostatic  
Shower System - Shower with  
Handshower  
**GL3.011WB-RH0**

---

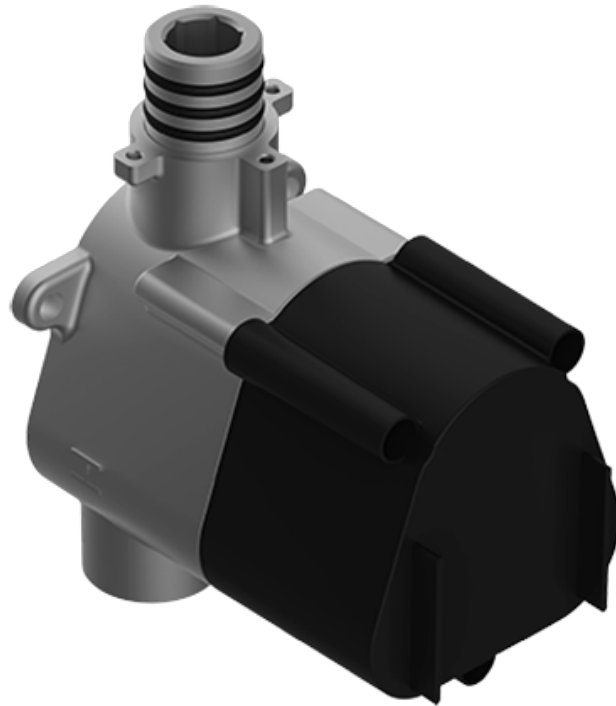
**GRAFF®**



## Information

- 3/4" thermostatic valve and trim
- 3/4" stop/volume control valve (2 pieces)
- 8" showerhead with 12" ceiling-mounted shower arm
- Showerhead features no-clog, easy-clean spray nozzles
- Handshower set with wall-mounted slide bar and 59" hose (PVD finishes use 59" flex hose)
- Optional extension kit
- Flow rates: showerhead  $\leq 1.8$  max gpm, handshower  $\leq 1.5$  max gpm

SHOWER  
Thermostatic Rough Valve  
**G-8006**



**Information**

- 12.9 gpm @ 60 psi
- 3/4" universal inlets
- Built-in service stops
- Stacking outlet feature
- Complete serviceability from front of all units
- Supplied with protective plastic cover
- CalGreen compliant dependent on functions

**Finishes**





# G-8006

M-Series

3/4" Concealed Thermostatic Rough Valve



## Product Features

- 12.9 gpm @ 60 psi
- 3/4" universal inlets
- Built-in service stops
- Stacking outlet feature
- Complete serviceability from front of all units
- Supplied with protective plastic cover
- CalGreen compliant dependent on functions

## Code Compliance

- CALGreen

## Warranty

- Limited lifetime warranty

For complete warranty information go to [www.graff-faucets.com/en/info/faqs](http://www.graff-faucets.com/en/info/faqs)



The measurements shown are for reference only. Products and specifications shown are subject to change without notice. Revised 3/2016.

[www.graff-faucets.com](http://www.graff-faucets.com) | phone: 800-954-4723

SHOWER  
M-Series Round Thermostatic  
3-Hole Trim Plate and Handle  
**G-8056-RH0-T**



**Information**

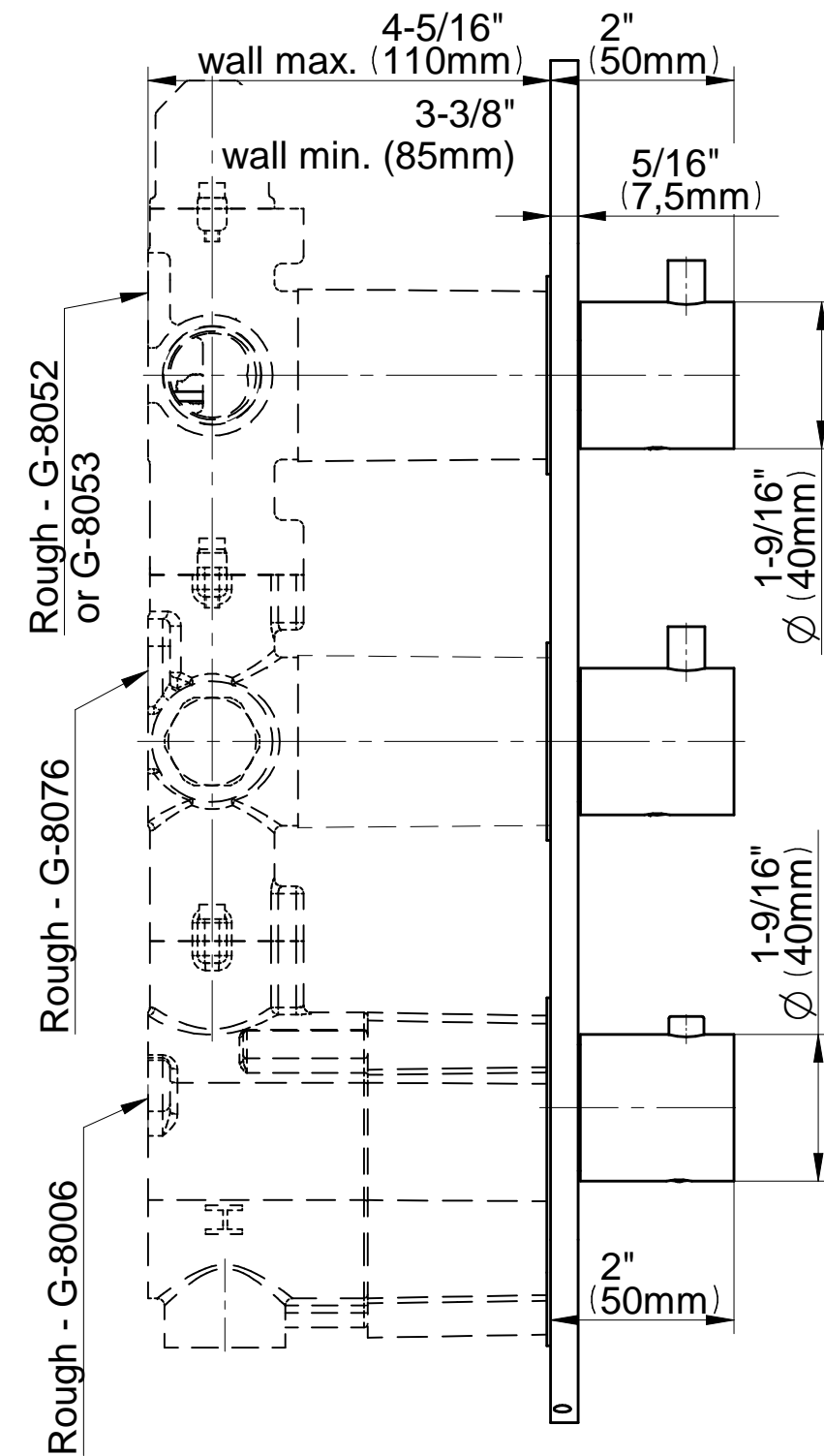
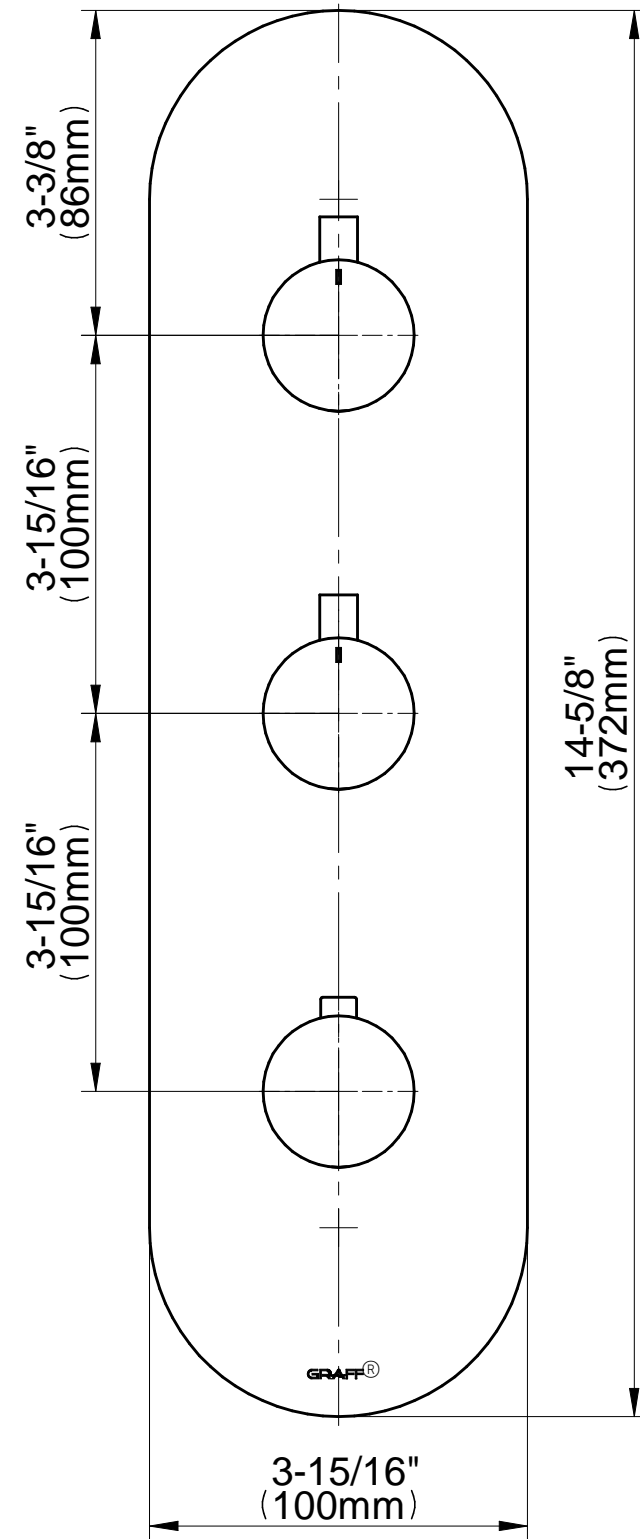
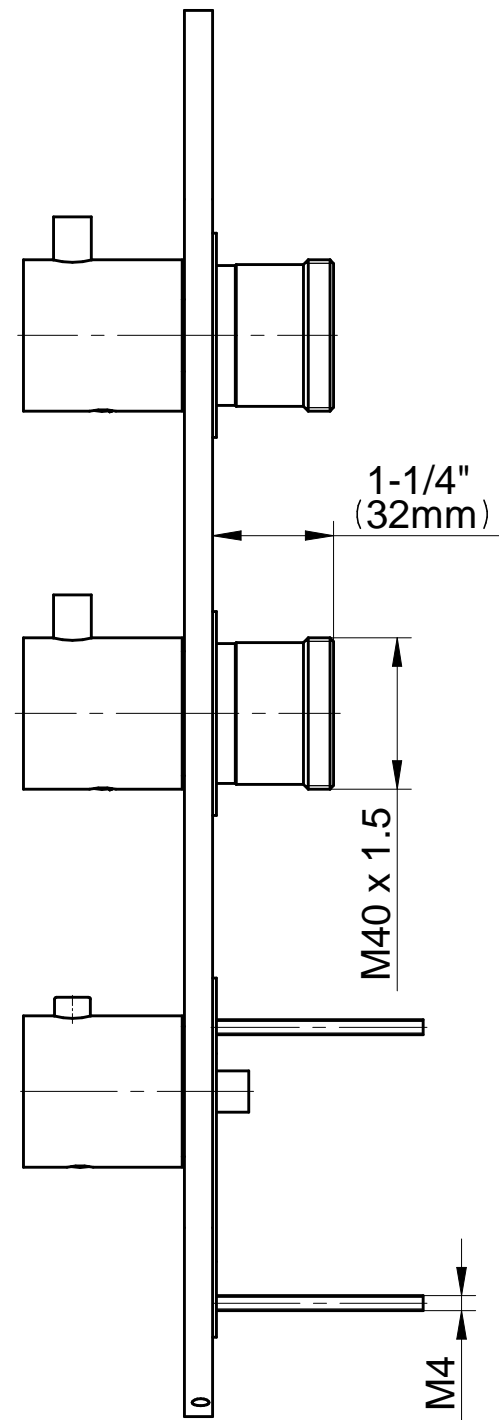
- Three metal handles
- Decorative trim plate
- Use with G-8006, G-8076 and G-8052 or G-8053 thermostatic rough valves
- To complete package, you must order rough valves

**Finishes**

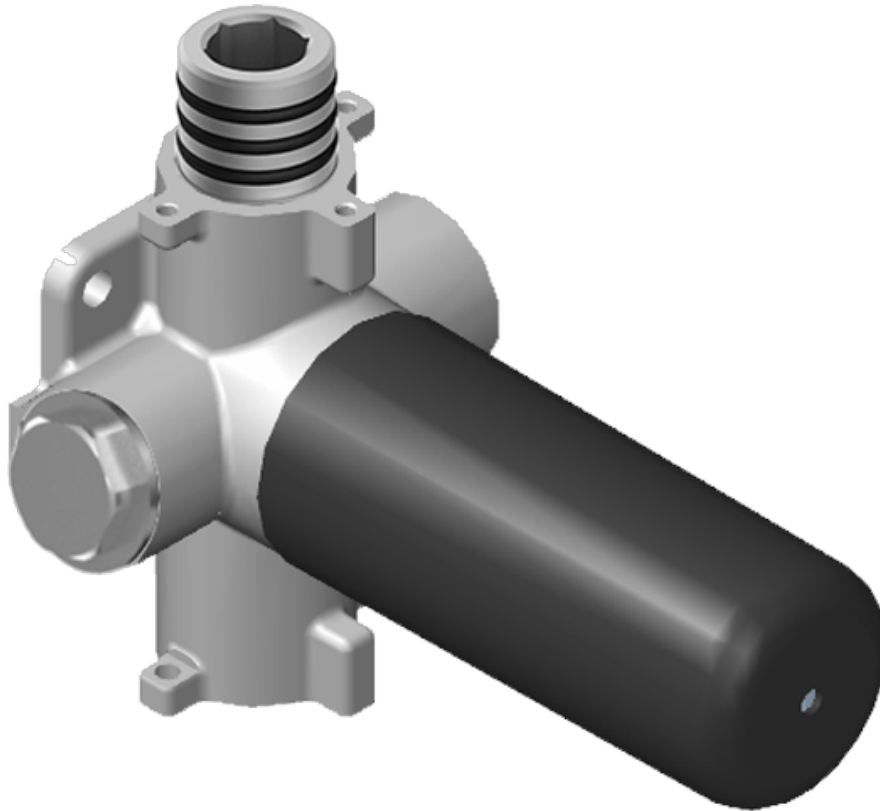


# G-8056-RH/RH1-T

## Round Three Holes Trim Plate - M-Series



SHOWER  
 Stop/Volume Control Valve with  
 Pass Through  
**G-8076**



**Information**

- 12.3 gpm @ 60 psi
- 3/4" universal inlets/outlets with female threads
- Stacking inlet and pass-through port feature
- Supplied with protective plastic cover
- CalGreen compliant dependent on functions

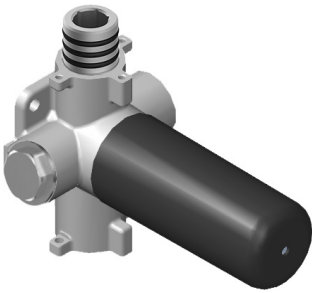
**Finishes**



# G-8076

M-Series

Stop/Volume Control Rough Valve with Pass-Through



## Product Features

- 13.2 gpm @ 60 psi
- 3/4" universal inlets/outlets with female threads
- Stacking inlet and pass-through port feature
- Supplied with protective plastic cover
- CalGreen compliant dependent on functions

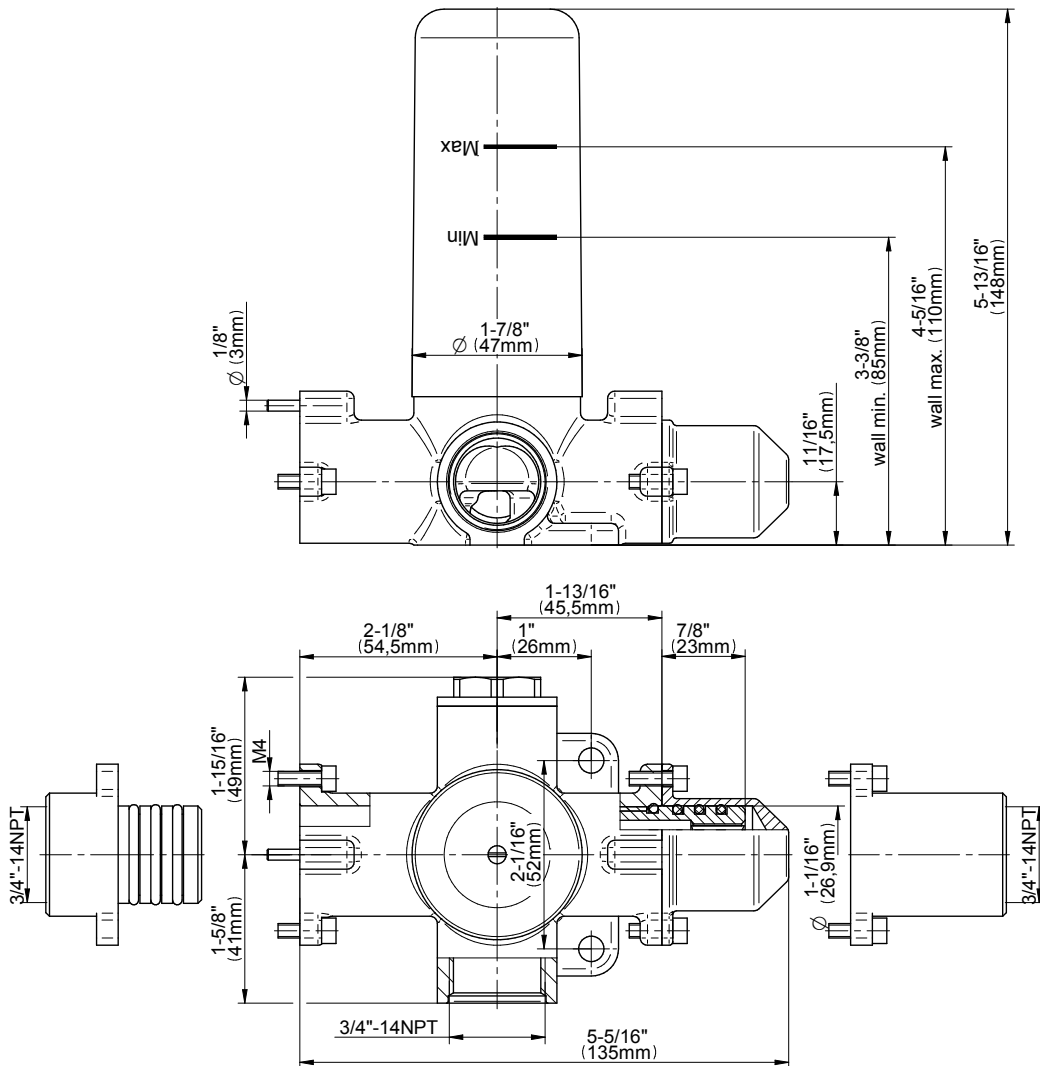
## Code Compliance

- CALGreen

## Warranty

- Limited lifetime warranty

For complete warranty information go to [www.graff-faucets.com/en/info/faqs](http://www.graff-faucets.com/en/info/faqs)



The measurements shown are for reference only. Products and specifications shown are subject to change without notice. Revised 3/2016.

[www.graff-faucets.com](http://www.graff-faucets.com) | phone: 800-954-4723



SHOWER  
8" Round Brass Showerhead  
**G-8449**

**GRAFF®**



**Information**

- 1/4" thick
- 169 no-clog, easy-clean rubber spray nozzles
- Recommended use with ceiling shower arm
- Recommended for use at no more than 10 degrees tilt
- Showerhead flow rate ≤ 1.8 max gpm
- CALGreen

**Finishes**



# G-8449

Aqua-Sense Collection  
Contemporary 8" Round Showerhead

**GRAFF**<sup>®</sup>  
CUTTING EDGE DESIGN

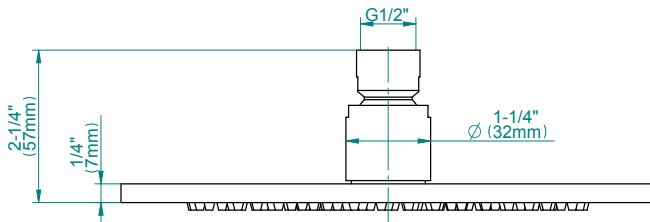
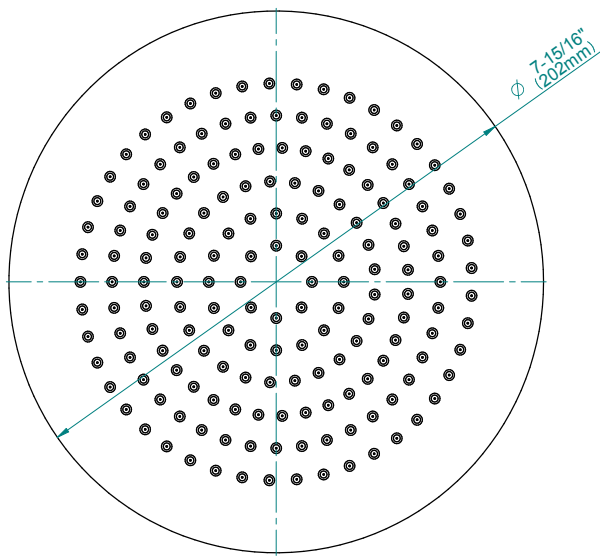
## Product Features

- 1/4" thick
- 169 no-clog, easy-clean rubber spray nozzles
- Showerhead flow rate  $\leq 1.8$  max gpm

## Available Finishes

- Polished Chrome  
G-8449-PC
- Brushed Nickel  
G-8449-PN
- Polished Nickel  
G-8449-BNi
- Unfinished Brass\*  
G-8449-UB\*
- Steinox  
G-8449-SN
- Olive Brass\*  
G-8449-OB\*
- Architectural Black with Chrome Accents\*  
G-8449-PC/BK\*
- Brushed Gold\*  
G-8449-BAU

\* Special order finish- call for availability



## Code Compliance

- CALGreen

## Warranty

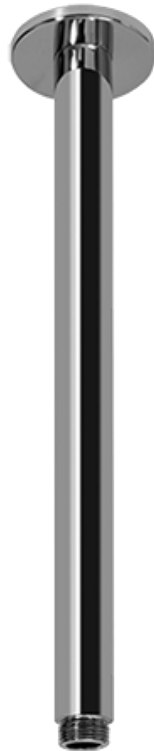
- Limited lifetime warranty

For complete warranty information go to [www.graff-designs.com/en-nam/warranty](http://www.graff-designs.com/en-nam/warranty)

The measurements shown are for reference only. Products and specifications shown are subject to change without notice. Revised 12/2017

[www.graff-designs.com](http://www.graff-designs.com) | phone: 800-954-4723

SHOWER  
 Contemporary 12" Ceiling Shower  
 Arm  
**G-8541**



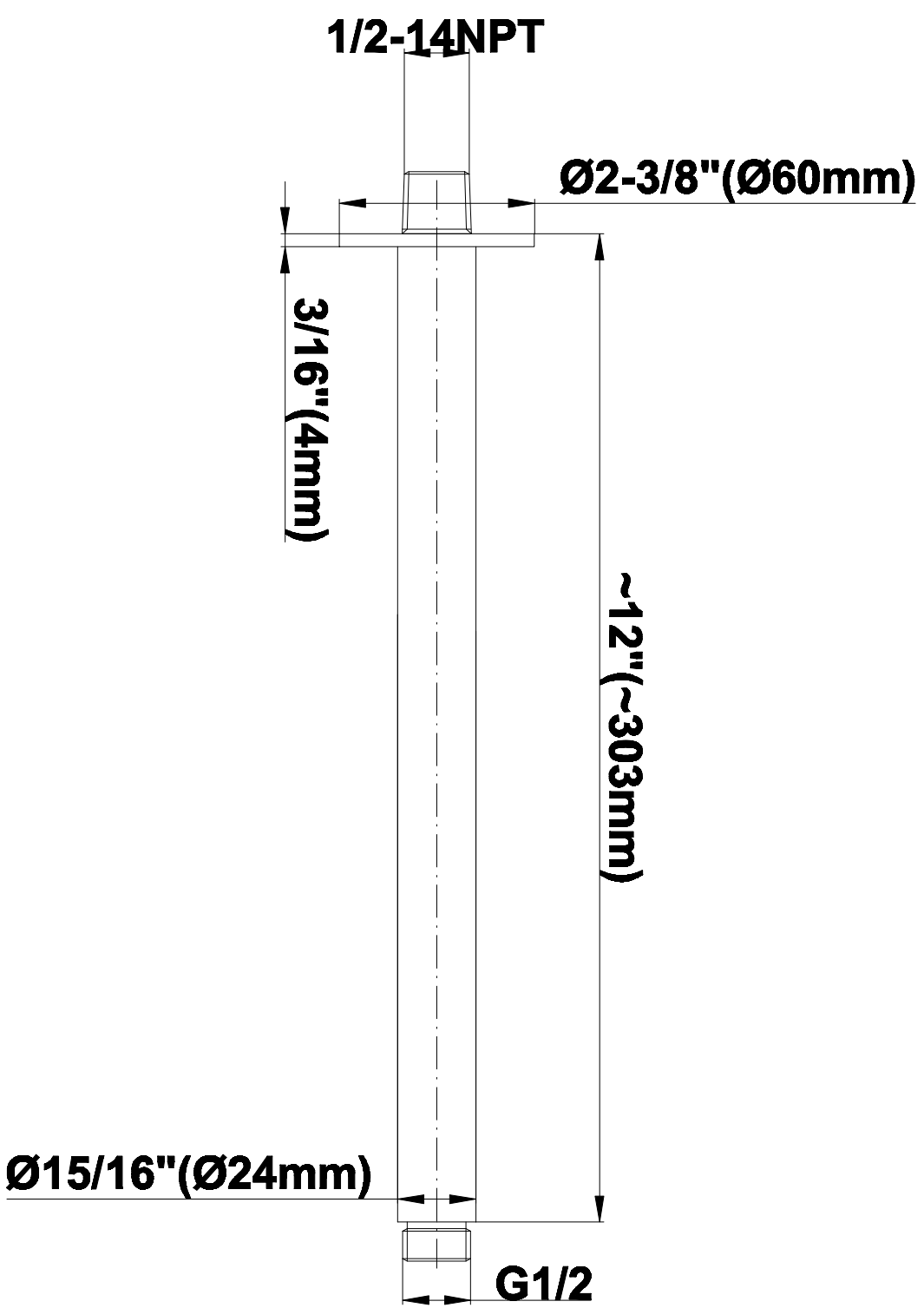
**Information**

- Includes arm and solid round flange
- 1/2" NPT male thread inlet
- For use with all showerheads

**Finishes**



# G-8541





## Information

- Brass spiral flexible hose with conical nut

## Finishes





### Product Features

- Brass spiral flexible hose with conical nut

### Warranty

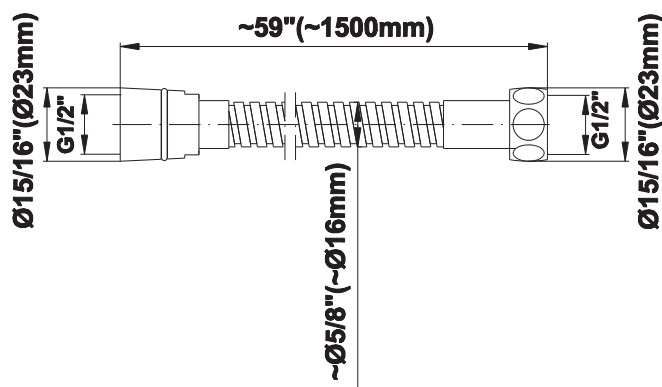
- Limited lifetime warranty

For complete warranty information go to [www.graff-designs.com/en-nam/warranty](http://www.graff-designs.com/en-nam/warranty)

### Available Finishes

- Polished Chrome  
G-8605-PC
- Polished Nickel  
G-8605-PN
- Brushed Nickel  
G-8605-BNi
- Unfinished Brushed Brass\*  
G-8605-UBB\*
- Unfinished Brass\*  
G-8605-UB\*
- Matte Black\*  
G-8605-MBK\*
- Architectural Black\*  
G-8605-BK\*
- Architectural White\*  
G-8605-WT\*
- Olive Brass\*  
G-8605-OB\*
- Gunmetal\*  
G-8605-GM\*
- Vintage Brushed Brass\*  
G-8605-VBB\*
- Steelnox (Satin Nickel)  
G-8605-SN
- 24K Brushed Gold\*  
G-8605-BAU\*
- 24K Gold\*  
G-8605-AU\*
- Gunmetal Distressed\*  
G-8605-GMD\*

\* Special order finish- call for availability



SHOWER  
Contemporary Round Wall Supply  
Elbow  
**G-8613**

**GRAFF®**



**Information**

- 1/2" NPT female thread inlet

**Finishes**



## G-8613

### Shower Components

### Contemporary Round Wall Supply Elbow

# GRAFF®



#### Product Features

- 1/2" NPT female thread inlet

#### Warranty

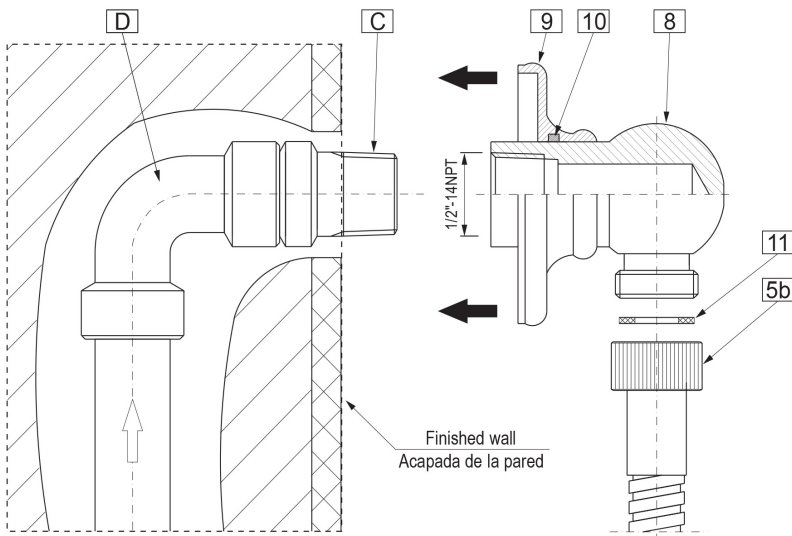
- Limited lifetime warranty

For complete warranty information go to [www.graff-designs.com/en-nam/warranty](http://www.graff-designs.com/en-nam/warranty)

#### Available Finishes

- Polished Chrome  
G-8613-PC
- Polished Nickel  
G-8613-PN
- Brushed Nickel  
G-8613-BNi
- Unfinished Brushed Brass\*  
G-8613-UBB\*
- Unfinished Brass\*  
G-8613-UB\*
- Matte Black\*  
G-8613-MBK\*
- Architectural Black\*  
G-8613-BK\*
- Architectural White\*  
G-8613-WT\*
- Steinox (Satin Nickel)  
G-8613-SN
- Olive Brass\*  
G-8613-OB\*
- Gunmetal\*  
G-8613-GM\*
- Vintage Brushed Brass\*  
G-8613-VBB\*
- OR'osa PVD\*  
G-8613-RG\*
- Brushed OR'osa PVD\*  
G-8613-BRG\*
- Onyx PVD\*  
G-8613-OX\*
- Brushed Onyx PVD\*  
G-8613-BOX\*
- Polished Brass PVD\*  
G-8613-PB\*
- Brushed Brass PVD\*  
G-8613-BB\*
- 24K Brushed Gold\*  
G-8613-BAU\*
- 24K Gold\*  
G-8613-AU\*
- Gunmetal Distressed\*  
G-8613-GMD\*

\* Special order finish- call for availability



The measurements shown are for reference only. Products and specifications shown are subject to change without notice. Revised 12/2019

[www.graff-designs.com](http://www.graff-designs.com) | phone: 800-954-4723



SHOWER  
 Contemporary Wall-Mounted Slide  
 Bar  
**G-8641**



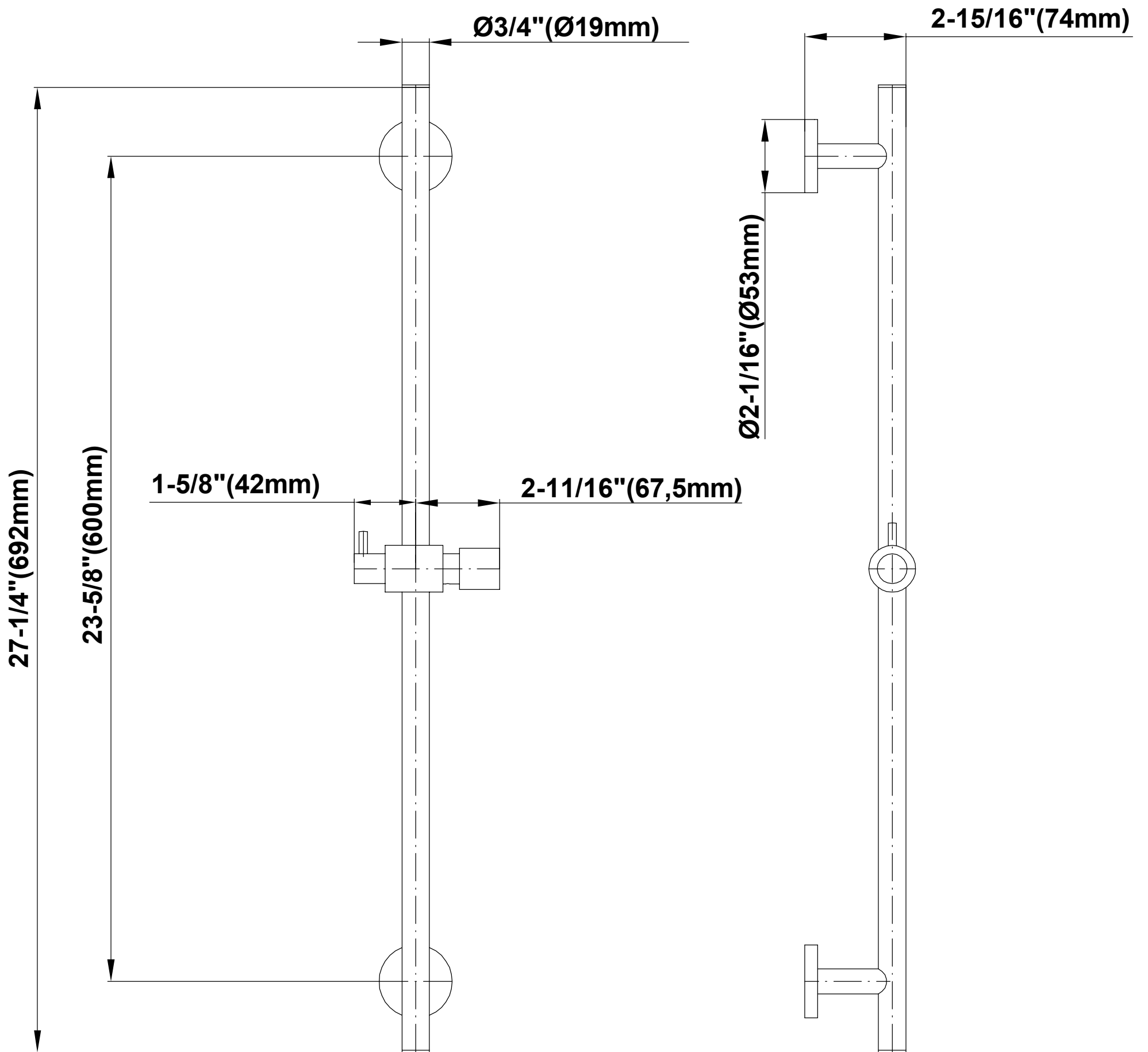
**Information**

- 27 1/4" tall wall-mounted slide bar
- Adjustable bracket fits all hoses with conical nut

**Finishes**



# G - 864 1



SHOWER  
 Contemporary Round Handshower  
**G-8714**

**GRAFF®**



**Information**

- Solid brass construction
- Smooth, all-metal handle
- Shower hose not included
- Handshower flow rate ≤1.5 max gpm
- CALGreen

**Finishes**



# G-8714

## Contemporary Round Handshower



### Product Features

- Solid brass construction
- Smooth, all-metal handle
- Aerated flow rate  $\leq 1.5$  max gpm
- Shower hose not included

### Code Compliance

- CalGreen compliant

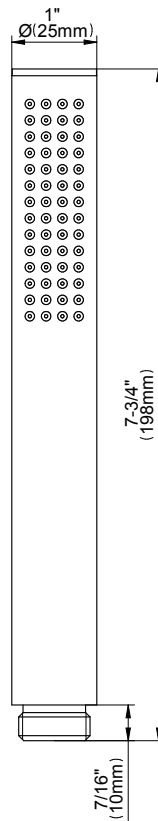
### Available Finishes

- Polished Chrome  
G-8714-PC
- Brushed Nickel  
G-8714-BNi
- Polished Nickel  
G-8714-PN
- Steelnox<sup>®</sup>  
G-8714-SN
- Olive Bronze<sup>™</sup>  
G-8714-OB
- Architectural Black<sup>™</sup>  
G-8714-BK
- Architectural White  
G-8714-WT

### Warranty

- Limited lifetime warranty

For complete warranty information go to  
<http://www.graff-faucets.com/en/info/faqs>



The measurements shown are for reference only. Products and specifications shown are subject to change without notice. Revised 02/2017.

[www.graff-faucets.com](http://www.graff-faucets.com) | phone: 800-954-4723