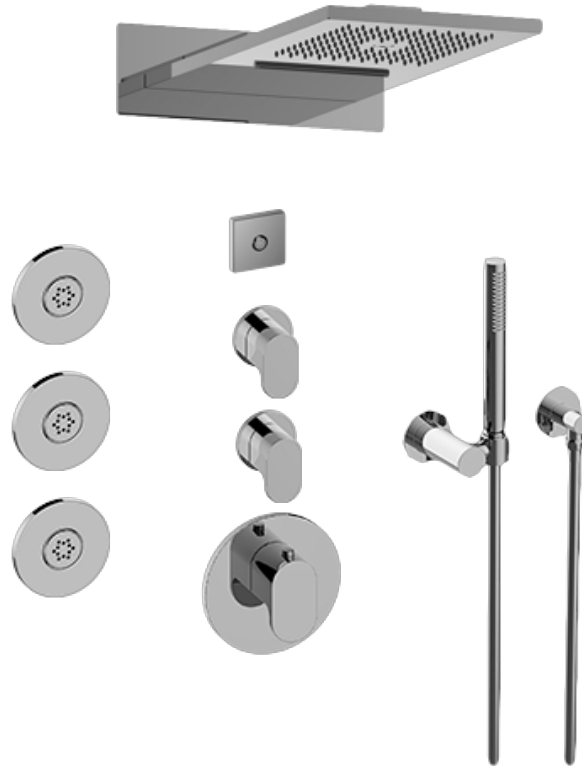


SHOWER  
M-Series Full Thermostatic  
Shower System with LED  
**GL3.124SE-LM44E0**

---

**GRAFF®**



## Information

- 3/4" thermostatic valve and trim
- 3/4" 2-way diverter valve and trim (2 pieces)
- G-8201 dual-function, stainless steel showerhead, with rainfall and cascade settings, features 134 no-clog, easy-clean spray nozzles
- Single LED light with 6 color variations
- Flush-mounted swivel body sprays (3 pieces)
- Handshower set with wall bracket and 59" hose
- Optional extension kit
- Flow rates: rainfall  $\leq 2.0$  max gpm, cascade  $\leq 2.0$  max gpm, handshower  $\leq 1.5$  max gpm, body sprays  $\leq 1.5$  max gpm each
- ADA

SHOWER  
Thermostatic Rough Valve  
**G-8006**

---

**GRAFF**<sup>®</sup>



### Information

- 12.9 gpm @ 60 psi
- 3/4" universal inlets
- Built-in service stops
- Stacking outlet feature
- Complete serviceability from front of all units
- Supplied with protective plastic cover
- CalGreen compliant dependent on functions

### Finishes



Polished  
Chrome

# G-8006

M-Series

3/4" Concealed Thermostatic Rough Valve



## Product Features

- 12.9 gpm @ 60 psi
- 3/4" universal inlets
- Built-in service stops
- Stacking outlet feature
- Complete serviceability from front of all units
- Supplied with protective plastic cover
- CalGreen compliant dependent on functions

## Code Compliance

- CALGreen

## Warranty

- Limited lifetime warranty

For complete warranty information go to [www.graff-faucets.com/en/info/faqs](http://www.graff-faucets.com/en/info/faqs)



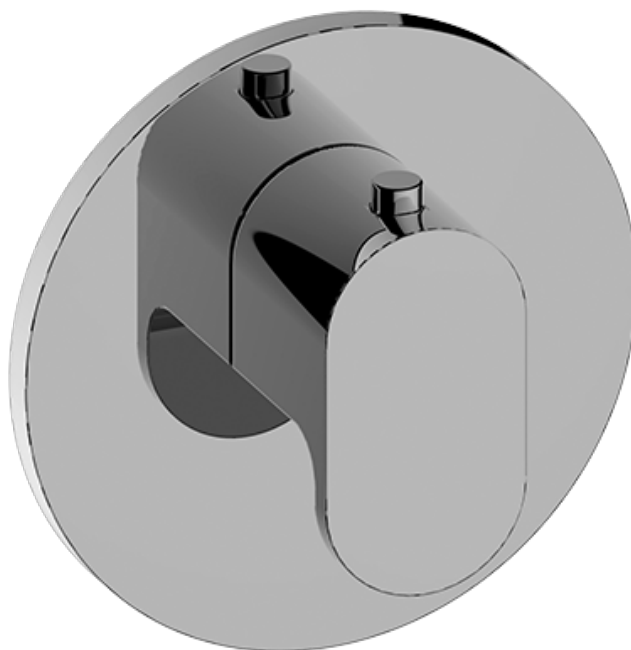
The measurements shown are for reference only. Products and specifications shown are subject to change without notice. Revised 3/2016.

[www.graff-faucets.com](http://www.graff-faucets.com) | phone: 800-954-4723

SHOWER  
Ametis M-Series Thermostatic  
Valve Trim with Handle  
**G-8037-LM44E-T**

---

**GRAFF**<sup>®</sup>



### Information

- Single metal handle
- Decorative trim plate
- Use with G-8006 thermostatic rough valve
- To complete package, you must order rough valve
- ADA

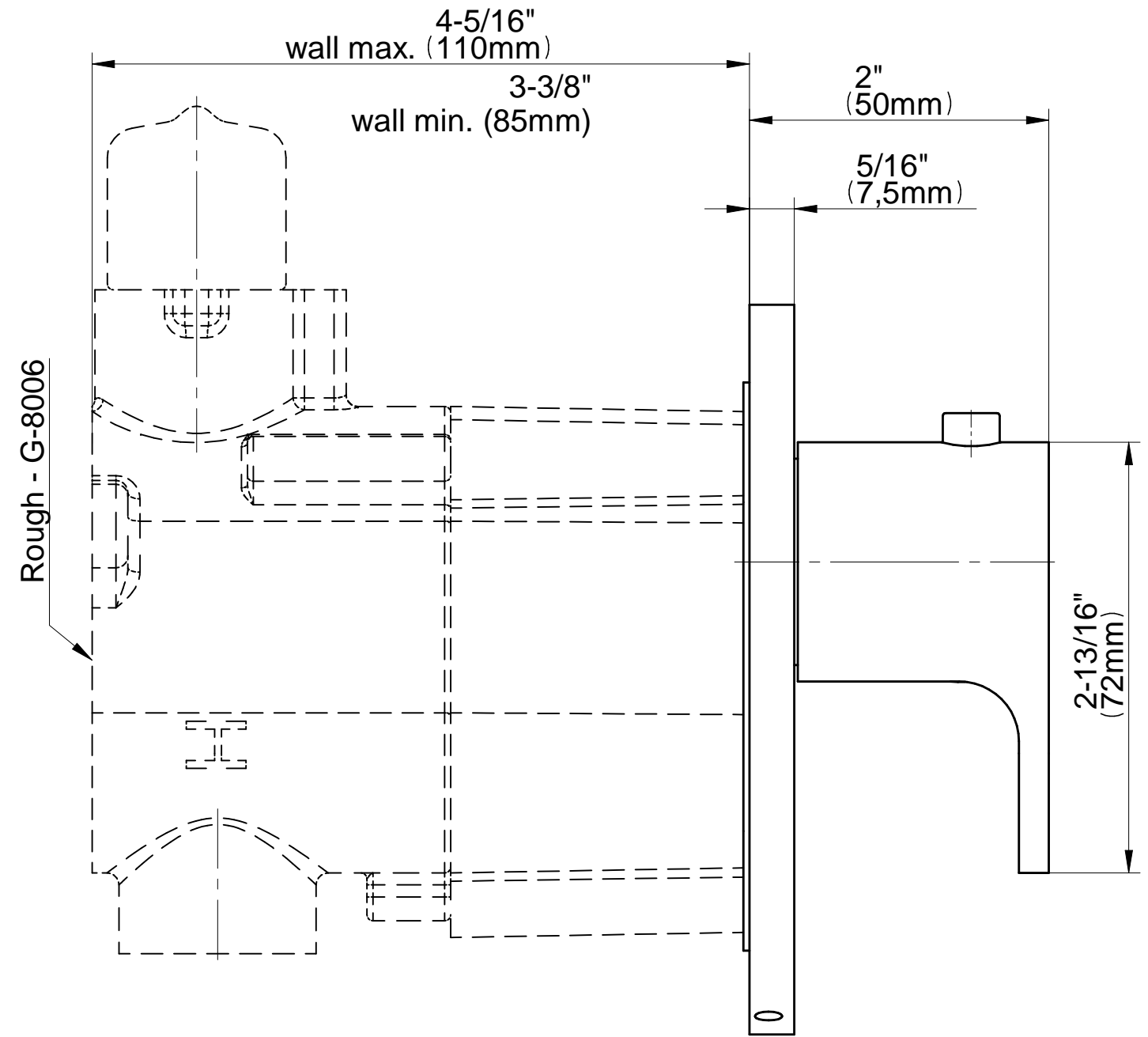
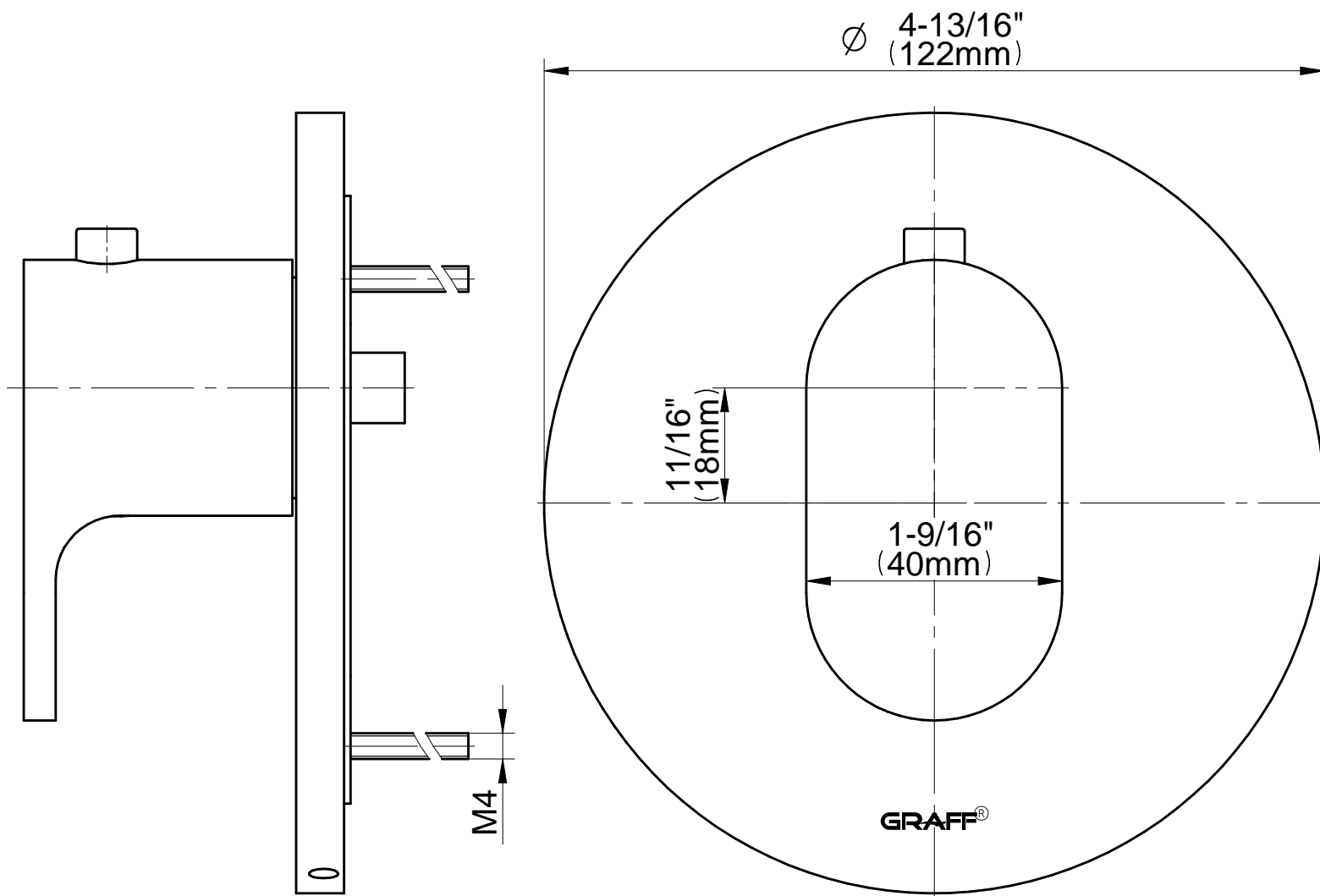
### Finishes



Polished  
Chrome

# G-8037-LM44E-T

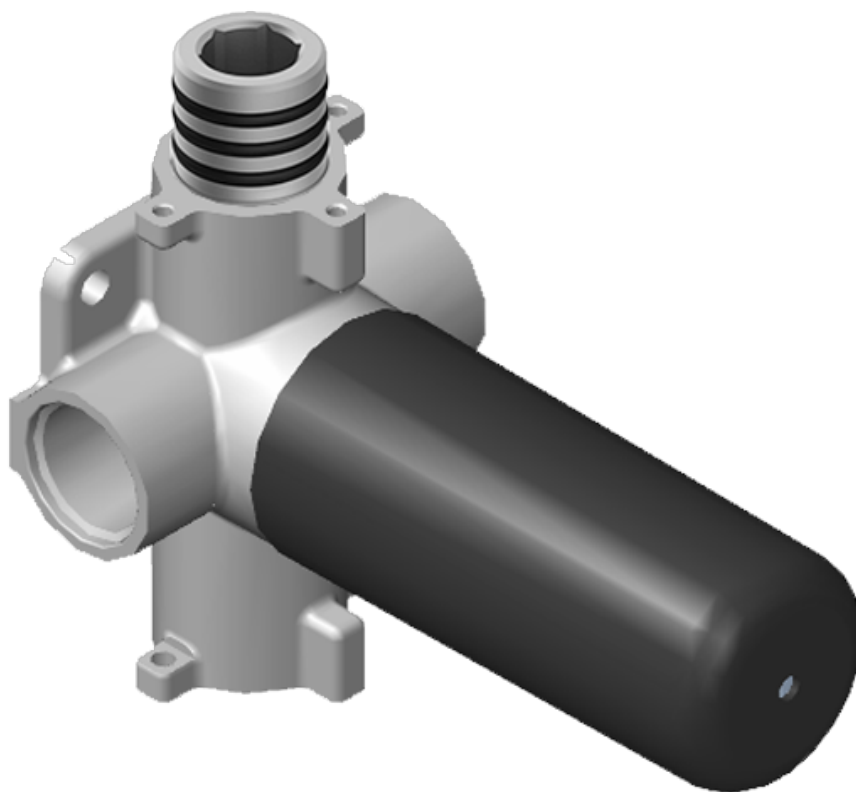
## AMETIS Series



SHOWER  
Two-Way Diverter Volume Control  
Valve WITH Off Function and Pass-  
Through  
**G-8052**

---

**GRAFF®**



### Information

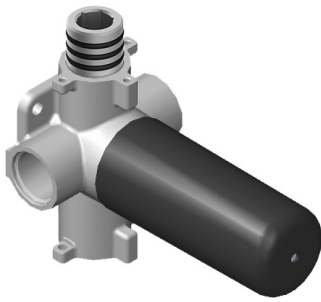
- 11.7 gpm @ 60 psi
- 3/4" universal inlets/outlets with female threads
- Operates one function at a time
- Stacking inlet and pass-through port feature
- Supplied with protective plastic cover
- CALGreen compliant depending on functions

### Finishes



Polished  
Chrome

**G-8052** M-Series  
2-Way Diverter Volume Control Valve  
WITH Off Function and Pass-Through



**Product Features**

- 12.1 gpm @ 60 psi
- 3/4" universal inlets/outlets with female threads
- Stacking inlet and pass-through port feature
- Supplied with protective plastic cover
- CalGreen compliant dependent on functions

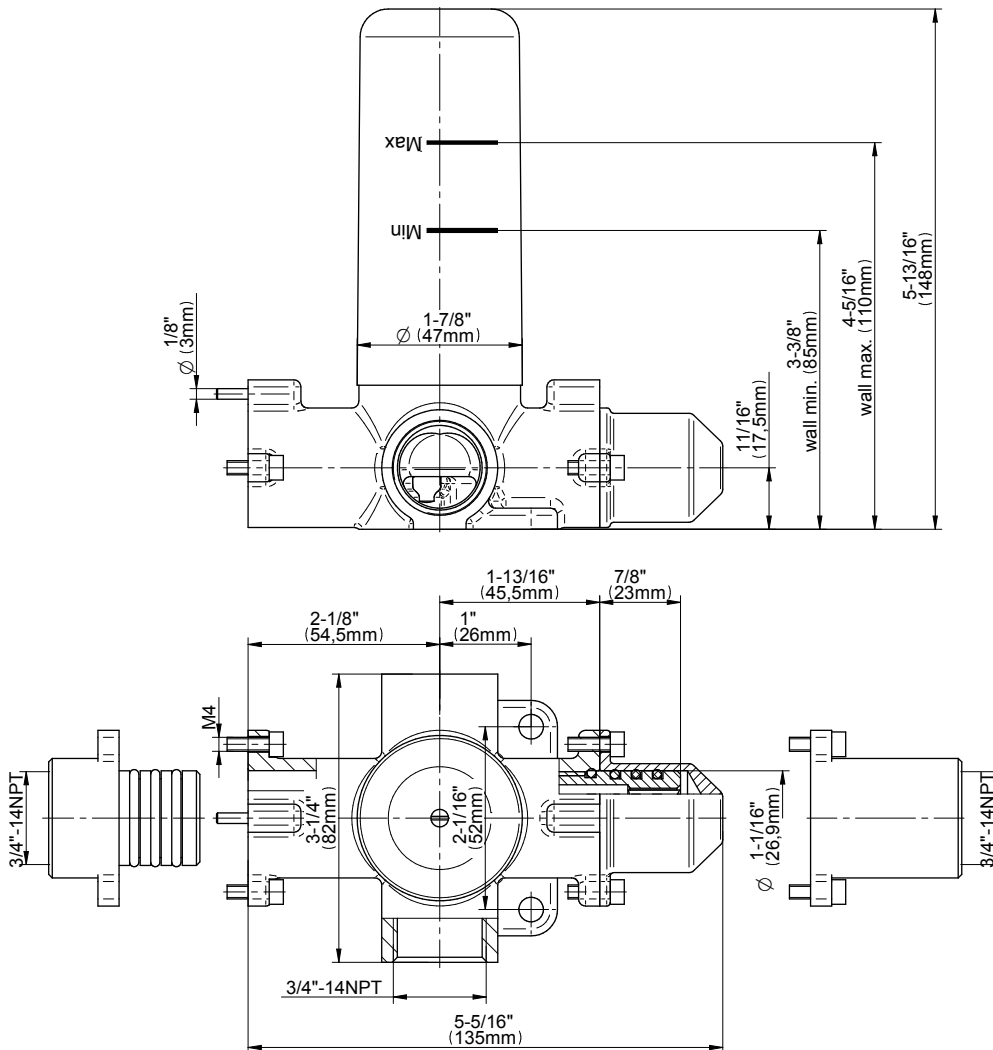
**Code Compliance**

- CALGreen

**Warranty**

- Limited lifetime warranty

For complete warranty information go to [www.graff-faucets.com/en/info/faqs](http://www.graff-faucets.com/en/info/faqs)



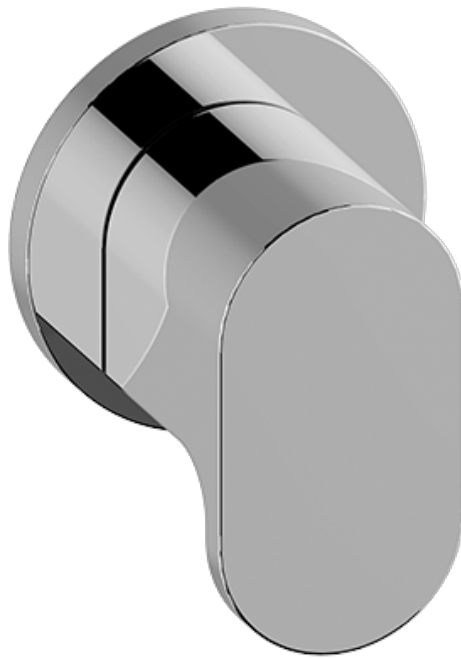
The measurements shown are for reference only. Products and specifications shown are subject to change without notice. Revised 3/2016.

[www.graff-faucets.com](http://www.graff-faucets.com) | phone: 800-954-4723

SHOWER  
Ametis M-Series 2-Way Diverter  
Valve Trim with Handle  
**G-8068-LM44E1-T**

---

**GRAFF**<sup>®</sup>



## Information

- Single metal handle
- Decorative trim plate
- Use with G-8052 2-way diverter (pass through) control rough valve WITH off function
- To complete package, you must order rough valve
- ADA

## Finishes

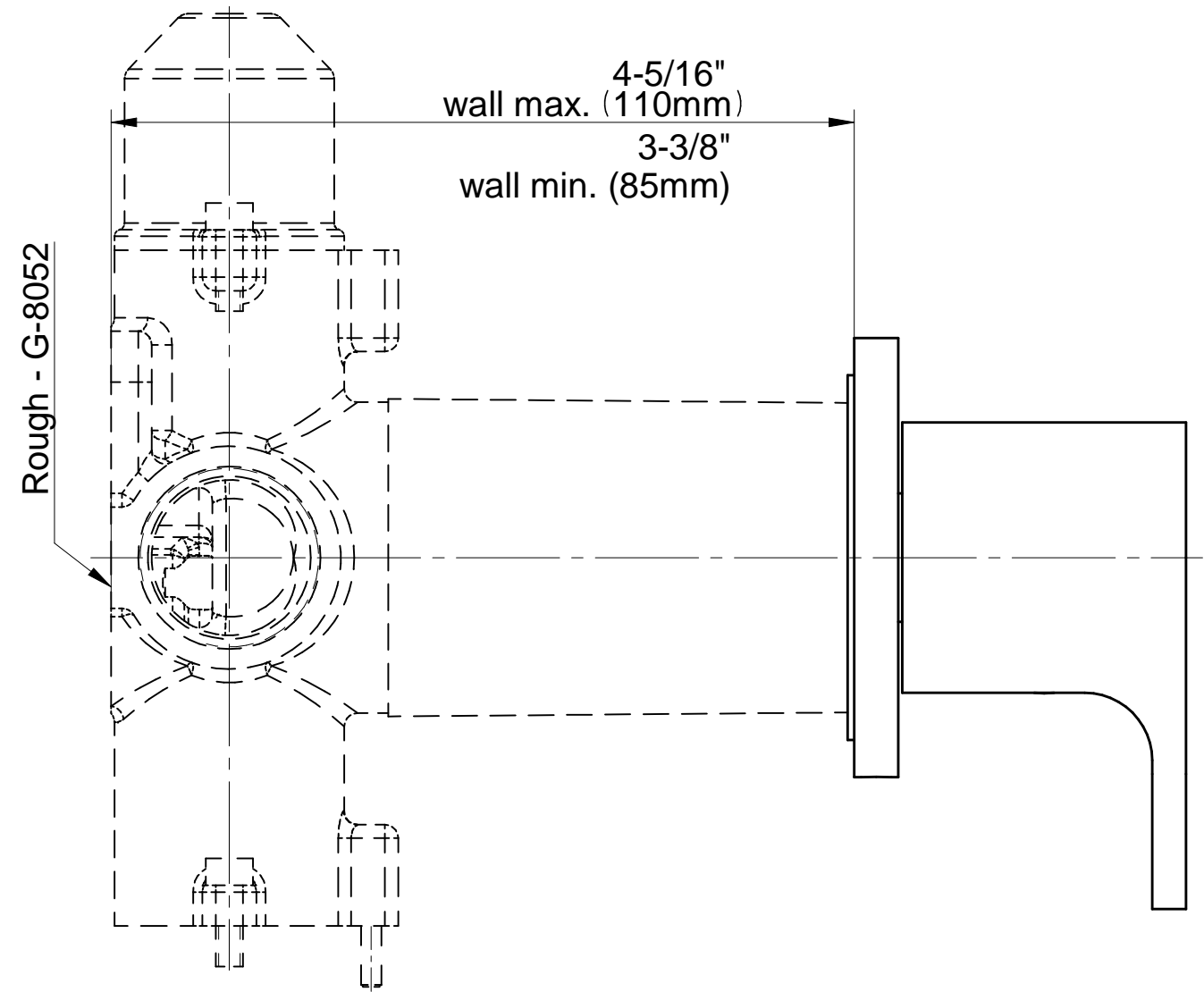
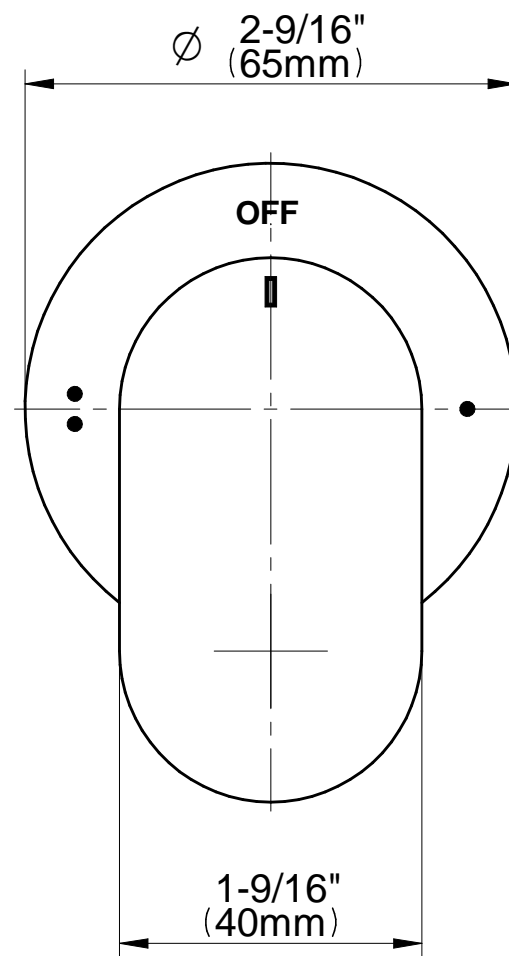
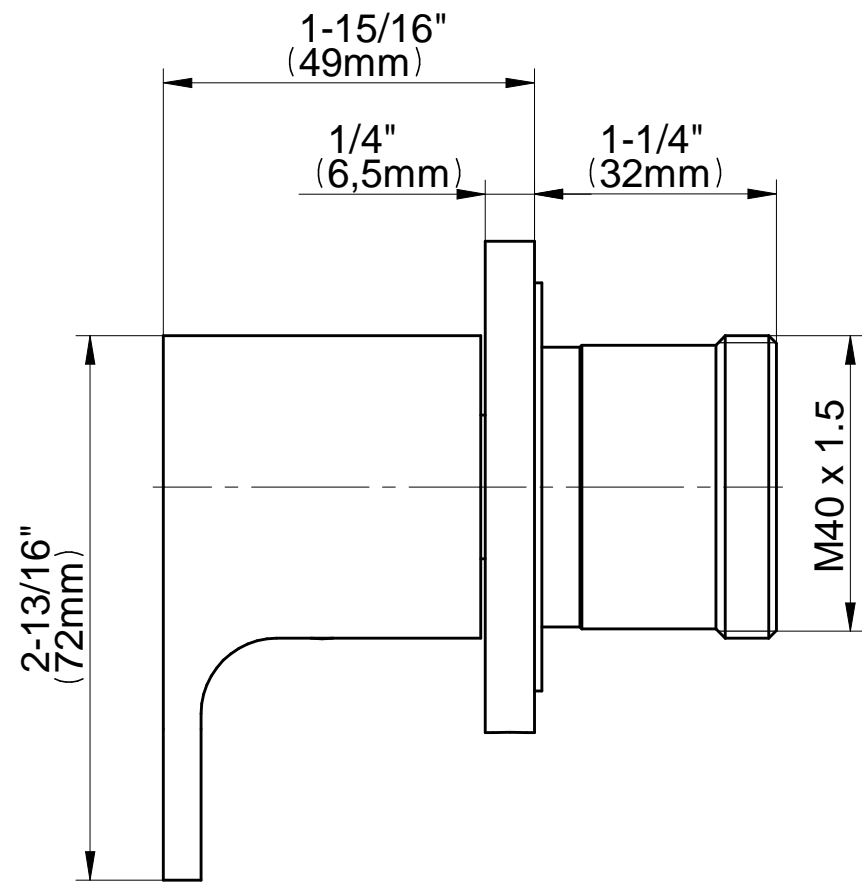


Polished  
Chrome



# G-8068-LM44E1-T

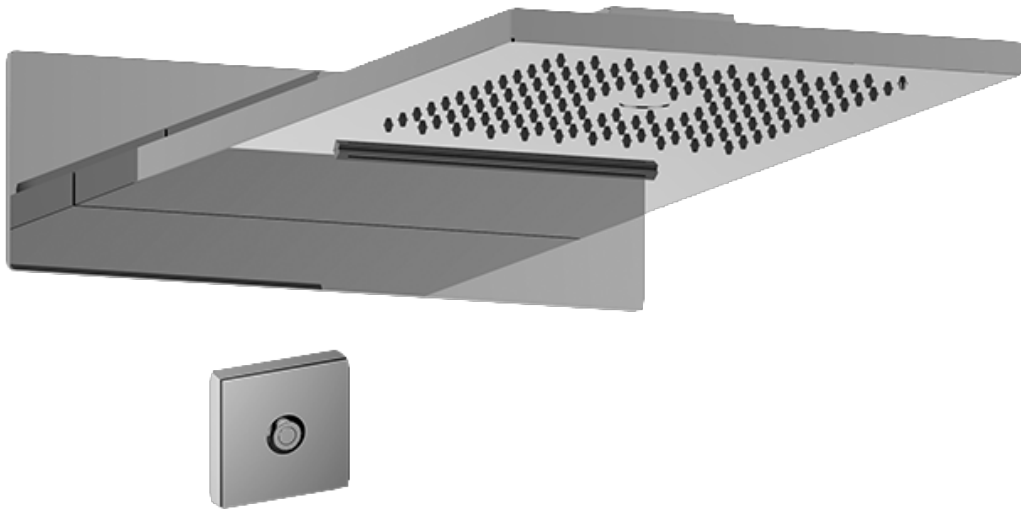
## AMETIS Series



SHOWER  
Dual-Function Water Feature with  
LED  
**G-8201**

---

**GRAFF®**



## Information

- Stainless Steel
- Rainfall and Cascade functions
- Functions may be used separately or simultaneously
- Single LED light with 6 color variations
- Rainfall flow rate  $\leq 2.0$  max gpm
- Cascade flow rate  $\leq 2.0$  max gpm
- 134 no-clog, easy-clean rubber water nozzles
- Includes wall-mount button for LED control box
- CALGreen

## Finishes



Polished  
Chrome

# G-8201

Aqua-Sense Collection

Dual-Function Water Feature with LED

**GRAFF**<sup>®</sup>  
CUTTING EDGE DESIGN



## Product Features

- Stainless steel
- Wall-mounted installation
- Rainfall and cascade functions
- Functions may be used separately or simultaneously
- Single LED light with 6 color variations
- Rainfall flow rate  $\leq 1.8$  max gpm
- Cascade flow rate  $\leq 1.8$  max gpm
- 134 no-clog, easy-clean rubber water nozzles
- Includes wall-mount button for LED control box

## Available Finishes

- Stainless Polished  
G-8201-SP

\* Special order finish- call for availability

## Warranty

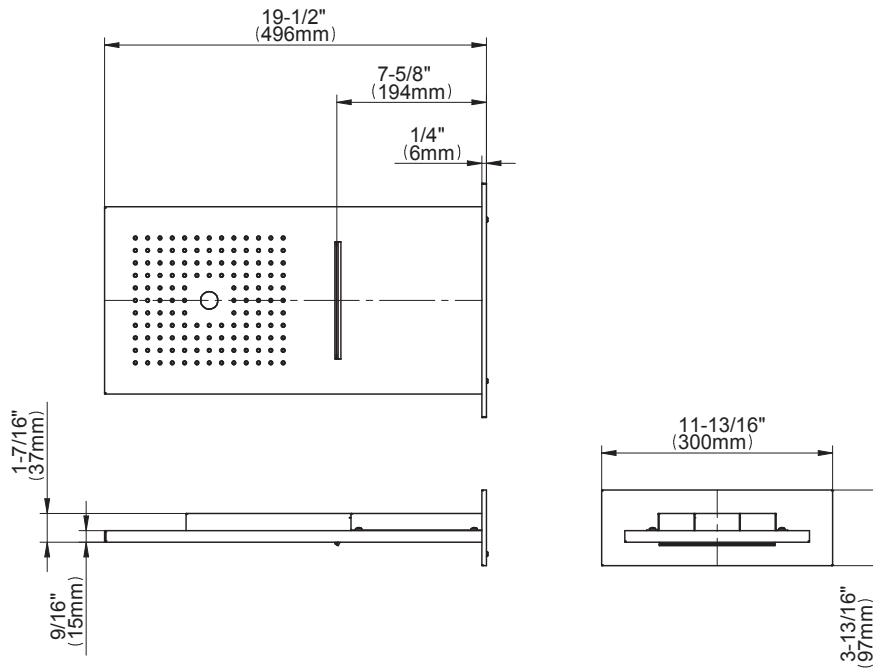
- Limited lifetime warranty

For complete warranty information go to [www.graff-designs.com/en-nam/warranty](http://www.graff-designs.com/en-nam/warranty)

## Code Compliance

- CALGreen

For complete warranty information go to [www.graff-designs.com/en-nam/warranty](http://www.graff-designs.com/en-nam/warranty)



The measurements shown are for reference only. Products and specifications shown are subject to change without notice. Revised 12/2017

[www.graff-designs.com](http://www.graff-designs.com) | phone: 800-954-4723

SHOWER  
Contemporary Flush Mount Body  
Spray w/ Solid Brass Swivel Head  
**G-8495**

---

**GRAFF**<sup>®</sup>



### Information

- 12 no-clog, easy-clean silicon jets
- Metal ball-joint allows for 18° angle adjustment of body spray
- Brass wall escutcheon and flush-mounted trim
- 1/2" NPT female thread inlet
- Body spray flow rate  $\leq$  1.5 max gpm

### Finishes



Polished  
Chrome

## G-8495

### Shower Components

### Contemporary Flush-Mount Body Spray with Solid Brass Swivel Head

# GRAFF®



#### Product Features

- 12 no-clog, easy-clean silicone jets
- Metal ball-joint allows for 18° angle adjustment of body spray
- Brass wall escutcheon and flush-mounted trim
- 1/2" NPT female thread inlet
- Body spray flow rate ≤ 1.5 max gpm

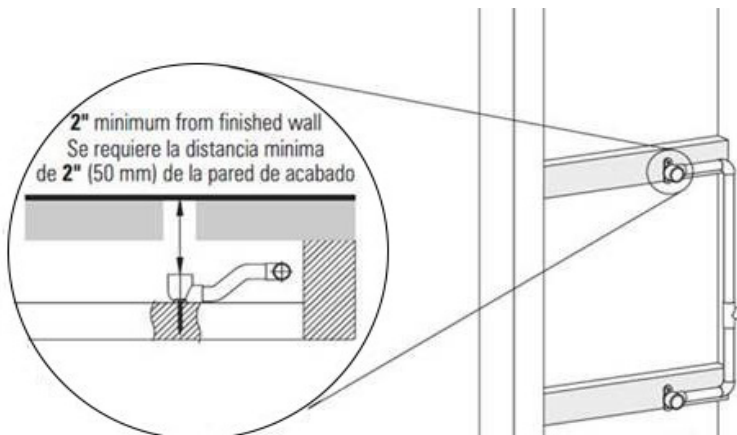
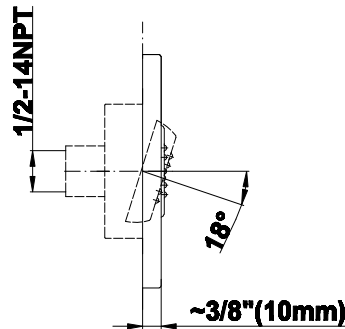
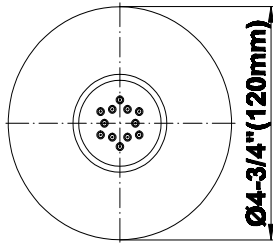
#### Warranty

- Limited lifetime warranty

For complete warranty information go to [www.graff-designs.com/en-nam/warranty](http://www.graff-designs.com/en-nam/warranty)

#### Available Finishes

- Polished Chrome  
G-8495-PC
- Polished Nickel  
G-8495-PN
- Brushed Nickel  
G-8495-BNi
- Unfinished Brushed Brass\*  
G-8495-UBB\*
- Unfinished Brass\*  
G-8495-UB\*
- Matte Black\*  
G-8495-MBK\*
- Architectural Black\*  
G-8495-BK\*
- Architectural White\*  
G-8495-WT\*
- Olive Brass\*  
G-8495-OB\*
- Gunmetal\*  
G-8495-GM\*
- Vintage Brushed Brass\*  
G-8495-VBB\*
- Steelnox  
G-8495-SN
- OR'osa PVD\*  
G-8495-RG\*
- Onyx PVD\*  
G-8495-OX\*
- Polished Brass PVD\*  
G-8495-PB\*
- Brushed Brass PVD\*  
G-8495-BB\*
- Brushed Gold\*  
G-8495-BAU\*
- Gold\*  
G-8495-AU\*
- Gunmetal Distressed\*  
G-8495-GMD\*



\* Special order finish- call for availability

SHOWER  
59" Shower Hose  
**G-8605**

---

**GRAFF®**



## Information

- Brass spiral flexible hose with conical nut

## Finishes



Polished  
Chrome



### Product Features

- Brass spiral flexible hose with conical nut

### Warranty

- Limited lifetime warranty

For complete warranty information go to [www.graff-designs.com/en-nam/warranty](http://www.graff-designs.com/en-nam/warranty)

### Available Finishes

- Polished Chrome  
G-8605-PC
- Polished Nickel  
G-8605-PN
- Brushed Nickel  
G-8605-BNi
- Unfinished Brushed Brass\*  
G-8605-UBB\*
- Unfinished Brass\*  
G-8605-UB\*
- Matte Black\*  
G-8605-MBK\*
- Architectural Black\*  
G-8605-BK\*
- Architectural White\*  
G-8605-WT\*
- Olive Brass\*  
G-8605-OB\*
- Gunmetal\*  
G-8605-GM\*
- Vintage Brushed Brass\*  
G-8605-VBB\*
- Steelnox (Satin Nickel)  
G-8605-SN
- 24K Brushed Gold\*  
G-8605-BAU\*
- 24K Gold\*  
G-8605-AU\*
- Gunmetal Distressed\*  
G-8605-GMD\*

\* Special order finish- call for availability



SHOWER  
Contemporary Round Wall Supply  
Elbow  
**G-8613**

---

**GRAFF**<sup>®</sup>



**Information**

- 1/2" NPT female thread inlet

**Finishes**



Polished  
Chrome



## G-8613

### Shower Components

### Contemporary Round Wall Supply Elbow

# GRAFF®



#### Product Features

- 1/2" NPT female thread inlet

#### Warranty

- Limited lifetime warranty

For complete warranty information go to [www.graff-designs.com/en-nam/warranty](http://www.graff-designs.com/en-nam/warranty)

#### Available Finishes

- Polished Chrome  
G-8613-PC
- Polished Nickel  
G-8613-PN
- Brushed Nickel  
G-8613-BNi
- Unfinished Brushed Brass\*  
G-8613-UBB\*
- Unfinished Brass\*  
G-8613-UB\*
- Matte Black\*  
G-8613-MBK\*
- Architectural Black\*  
G-8613-BK\*
- Architectural White\*  
G-8613-WT\*
- Steinox (Satin Nickel)  
G-8613-SN
- Olive Brass\*  
G-8613-OB\*
- Gunmetal\*  
G-8613-GM\*
- Vintage Brushed Brass\*  
G-8613-VBB\*
- OR'osa PVD\*  
G-8613-RG\*
- Brushed OR'osa PVD\*  
G-8613-BRG\*
- Onyx PVD\*  
G-8613-OX\*
- Brushed Onyx PVD\*  
G-8613-BOX\*
- Polished Brass PVD\*  
G-8613-PB\*
- Brushed Brass PVD\*  
G-8613-BB\*
- 24K Brushed Gold\*  
G-8613-BAU\*
- 24K Gold\*  
G-8613-AU\*
- Gunmetal Distressed\*  
G-8613-GMD\*

\* Special order finish- call for availability



The measurements shown are for reference only. Products and specifications shown are subject to change without notice. Revised 12/2019

[www.graff-designs.com](http://www.graff-designs.com) | phone: 800-954-4723

SHOWER  
Contemporary Round Wall  
Bracket for Handshower  
**G-8642**

---

**GRAFF®**



### Information

- Solid brass construction
- Swivel holder

### Finishes



Polished  
Chrome

## G-8642

### Shower Components

### Contemporary Round Wall Bracket for Handshower

# GRAFF®



#### Product Features

- Solid brass construction
- Swivel holder

#### Warranty

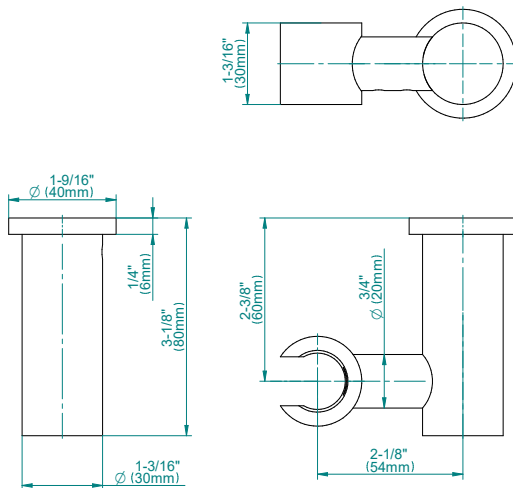
- Limited lifetime warranty

For complete warranty information go to [www.graff-designs.com/en-nam/warranty](http://www.graff-designs.com/en-nam/warranty)

#### Available Finishes

- Polished Chrome  
G-8642-PC
- Polished Nickel  
G-8642-PN
- Brushed Nickel  
G-8642-BNi
- Unfinished Brushed Brass\*  
G-8642-UBB\*
- Unfinished Brass\*  
G-8642-UB\*
- Matte Black\*  
G-8642-MBK\*
- Architectural Black\*  
G-8642-BK\*
- Architectural White\*  
G-8642-WT\*
- Steelnox (Satin Nickel)\*  
G-8642-SN\*
- Olive Brass\*  
G-8642-OB\*
- Gunmetal\*  
G-8642-GM\*
- Vintage Brushed Brass\*  
G-8642-VBB\*
- OR'osa PVD\*  
G-8642-RG\*
- Brushed OR'osa PVD\*  
G-8642-BRG\*
- Onyx PVD\*  
G-8642-OX\*
- Brushed Onyx PVD\*  
G-8642-BOX\*
- Polished Brass PVD\*  
G-8642-PB\*
- Brushed Brass PVD\*  
G-8642-BB\*
- 24K Brushed Gold\*  
G-8642-BAU\*
- 24K Gold\*  
G-8642-AU\*
- Gunmetal Distressed\*  
G-8642-GMD\*

\* Special order finish- call for availability



The measurements shown are for reference only. Products and specifications shown are subject to change without notice. Revised 10/2019

[www.graff-designs.com](http://www.graff-designs.com) | phone: 800-954-4723

SHOWER  
Contemporary Round Handshower  
**G-8714**

---

**GRAFF**<sup>®</sup>



### Information

- Solid brass construction
- Smooth, all-metal handle
- Shower hose not included
- Handshower flow rate  $\leq 1.5$  max gpm
- CALGreen

### Finishes



Polished  
Chrome

# G-8714

## Contemporary Round Handshower



### Product Features

- Solid brass construction
- Smooth, all-metal handle
- Aerated flow rate  $\leq 1.5$  max gpm
- Shower hose not included

### Code Compliance

- CalGreen compliant

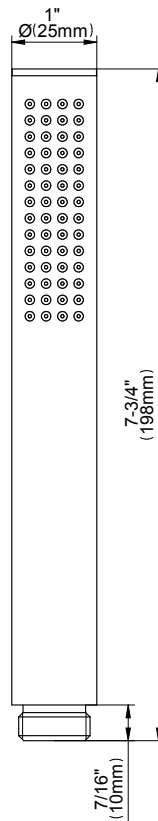
### Available Finishes

- Polished Chrome  
G-8714-PC
- Brushed Nickel  
G-8714-BNi
- Polished Nickel  
G-8714-PN
- Steelnox<sup>®</sup>  
G-8714-SN
- Olive Bronze<sup>™</sup>  
G-8714-OB
- Architectural Black<sup>™</sup>  
G-8714-BK
- Architectural White  
G-8714-WT

### Warranty

- Limited lifetime warranty

For complete warranty information go to  
<http://www.graff-faucets.com/en/info/faqs>



The measurements shown are for reference only. Products and specifications shown are subject to change without notice. Revised 02/2017.

[www.graff-faucets.com](http://www.graff-faucets.com) | phone: 800-954-4723