

FEATURED MODEL

442205 ATURA Pull-Down 2.2 gpm, CHROME

ADDITIONAL MODELS

- 442206 2.2 gpm, STAINLESS Finish
- 442207 1.5 gpm, CHROME
- 442208 1.5 gpm, STAINLESS Finish

FEATURES

- Solid brass body
- Ceramic disk cartridge
- Pull-down spray
- 2.2 GPM flow rate
- Installation in a 1-3/8" hole
- Color coded hot and cold supply lines
- 360 degree spout swivel
- Maximum deck thickness 2-1/4"

OPTIONAL ACCESSORIES

- ATURA Bar Faucet 442209 Chrome
- SONOMA Soap Dispenser 441757 Chrome

CODE/STANDARDS COMPLIANCE

ASME A112.18.1-2012/CSA B125.1-12
 IAPMO Listed

WARRANTY

BLANCO'S kitchen and bar faucets feature a LIMITED LIFETIME WARRANTY to be free of all manufacturing defects under normal use. See our complete warranty for details.

While BLANCO endeavors to provide accurate information, all dimensions are nominal, cannot be guaranteed, and are subject to change or cancellation. BLANCO assumes no responsibility for use of superseded or voided specifications.

JOB INFORMATION

Job Name: _____

Contact: _____

Date Specified: _____

Specifier: _____

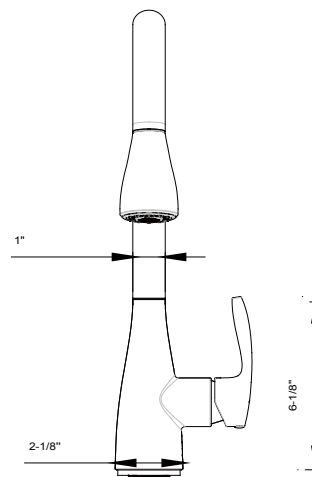
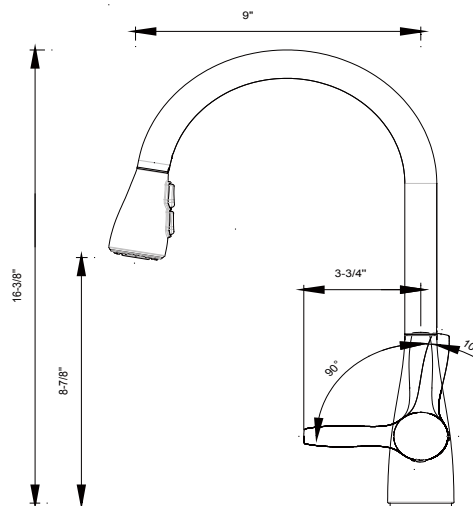
Contractor: _____



NOMINAL DIMENSIONS

Model 442206 shown

| REACH | SPOUT HEIGHT | FAUCET HEIGHT |
|-------|--------------|---------------|
| 9" | 8-7/8" | 16-3/8" |



See next page for exploded parts drawing and parts list.

BLANCO AMERICA

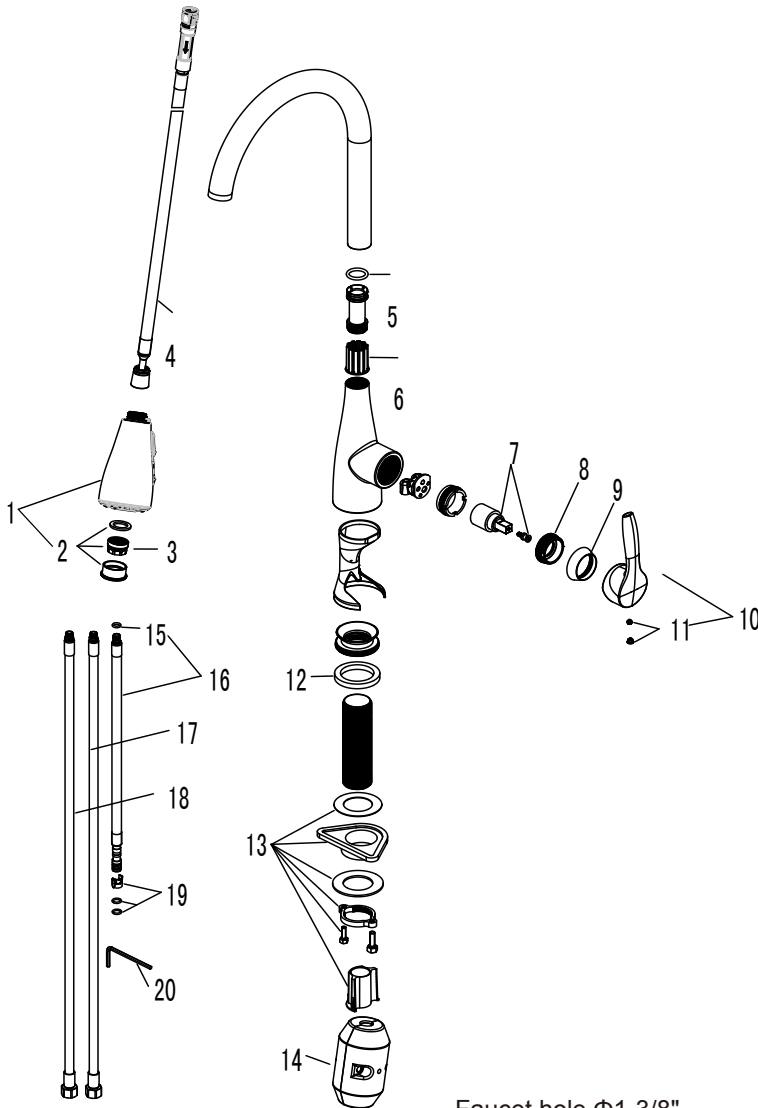
800.451.5782

www.blancoamerica.com

© 2017 BLANCO AMERICA

1/17

SPEC-001



Faucet hole Φ 1-3/8"

REPAIR PART GUIDE

| Diagram# | Description | Part# |
|----------|--------------------------------|--------|
| 1 | Handspray Chrome | 442243 |
| 1 | Handspray Stainless | 442244 |
| 2 | Aerator Kit | 442245 |
| 3 | Aerator | 442272 |
| 4 | Spray Hose 2.2GPM | 442246 |
| 4 | Spray Hose 1.5GPM | 442247 |
| 5 | O-Ring | 442248 |
| 6 | Lining | 442249 |
| 7 | Cartridge Assembly | 442250 |
| 8 | Cartridge Locking Nut | 442251 |
| 9 | Cartridge Cap Chrome | 442252 |
| 9 | Cartridge Cap Stainless | 442253 |
| 10 | Handle Chrome | 442254 |
| 10 | Handle Stainless | 442255 |
| 11 | Handle Screw And Cap Chrome | 442256 |
| 11 | Handle Screw And Cap Stainless | 442257 |
| 12 | Sealing Ring | 442258 |
| 13 | Mounting Kit | 442259 |
| 14 | Weight | 442260 |
| 15 | O-Ring | 442261 |
| 16 | Supply Line | 442262 |
| 17 | Cold Water Supply Line(Blue) | 442263 |
| 18 | Hot Water Supply Line(Red) | 442264 |
| 19 | Connector And O-Ring | 442265 |
| 20 | Hex Key | 442266 |

Need to Change a Faucet Cartridge?



Scan this QR code
to see our how-to video

For faucet technical support or questions,
please e-mail us at blanco@blancoamerica.com