

FEATURED MODEL

519550 R15 1-3/4 Bowl, 9" bowl depths

FEATURES

- Required outside cabinet: 36"
- 18 gauge, 304 series stainless steel
- Premium 18/10 chrome/nickel content
- Satin Finish
- Rear drain placement
- Sound deadening pads

OPTIONAL ACCESSORIES

Stainless Steel Sink Grid Large:	223190
Stainless Steel Sink Grid Small:	223189
Colander:	224387
Glass Cutting Board:	224390
Workstation:	441741
Ash Compound Cutting Board:	231609
Magnetic Sink Caddy:	230694

CODE/STANDARDS COMPLIANCE

ASME 112.19.3-00
IAPMO/UPC listed

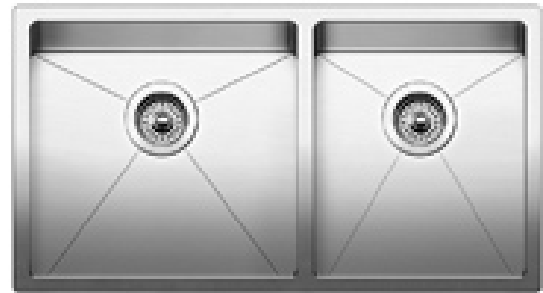
WARRANTY

Blanco America's Stainless Steel sinks feature a LIMITED LIFETIME WARRANTY to be free of all manufacturing defects under normal use. See our complete warranty for details.

While Blanco America endeavors to provide accurate information, all dimensions are nominal, cannot be guaranteed, and are subject to change or cancellation. Blanco America assumes no responsibility for use of superseded or voided specifications.

JOB INFORMATION

Job Name: _____
 Contact: _____
 Date Specified: _____
 Specifier: _____
 Contractor: _____

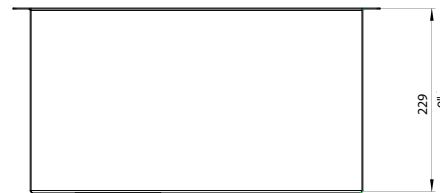
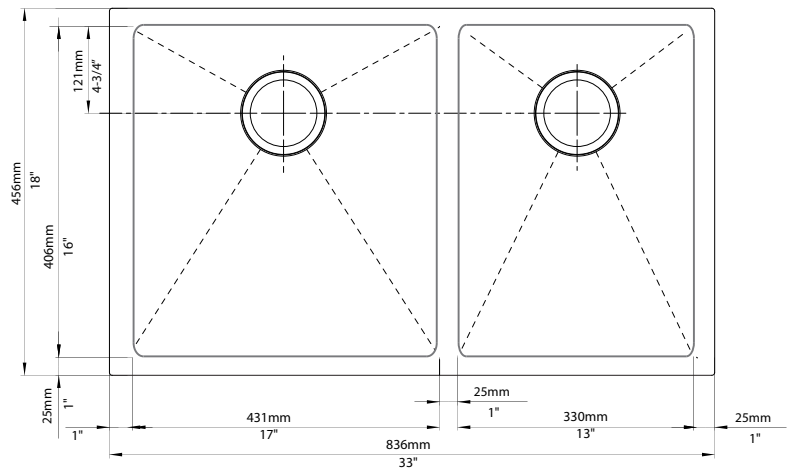


NOMINAL DIMENSIONS

Model 519550 shown

OVERALL	CUT OUT SIZE	BOWL DEPTHS		DRAIN
		LEFT	RIGHT	
33" x 18"	Template provided with approximate 1/8" reveal	9"	9"	3-1/2"

DXF cutout templates available on our website.



BLANCO AMERICA

800.451.5782

www.blancoamerica.com

© 2013 BLANCO AMERICA

12/13

SPEC-003