

BLANCO

QUATRUS R15 Ergon Super Single Apron

Stainless Steel

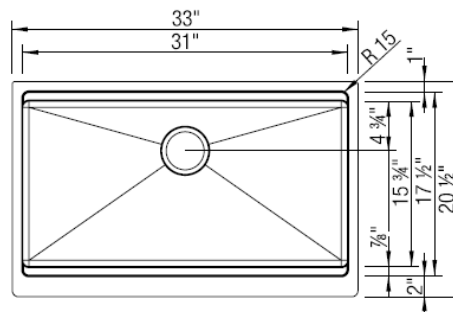
Sink Specifications

Colors/finishes

Stainless Steel

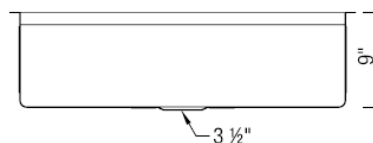
Model N°

525243



Design and planning tips

- Cutout Size: Custom Installation. Use sink as template.
- Actual Ship Weight: 36 lbs - UPS oversize weight charges apply*



Code/Standards Compliance

Product IAPMO listed

Accessories

Included

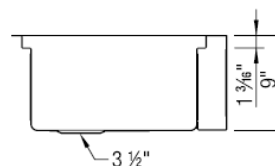
237516

227689

Wood Cutting Board

Bottom Grid

Colander



Warranty

BLANCO offers a limited lifetime warranty on all sinks and faucets, as well as a one-year warranty on all custom accessories.



View our how-to videos to learn more about installing and caring for BLANCO products:

https://www.blanco-germany.com/en_us/en_us/support/how_to_videos/all.html



Questions? Contact us today

BLANCO America, Inc.

110 Mount Holly By-Pass

Lumberton, NJ 08048

Phone & Fax

Phone: 888-668-6201

Fax: 609-668-6211

While BLANCO endeavors to provide accurate information, all dimensions are nominal, cannot be guaranteed, and are subject to change or cancellation. BLANCO assumes no responsibility for use of superseded or voided specifications.