

# BLANCO

## FORMERA Large Single U

Stainless Steel

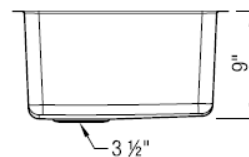
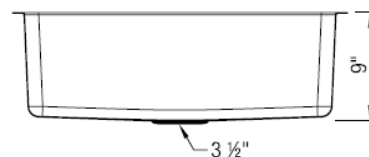
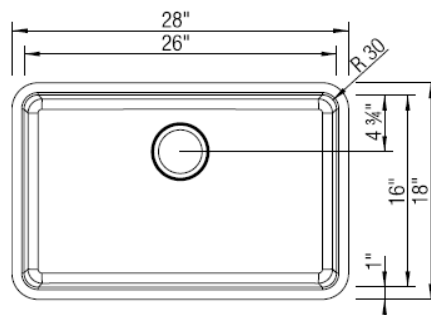
### Sink Specifications

Colors/finishes

Stainless Steel

Model N°

442765



### Design and planning tips

- Cutout Size: Template provided 1/8" reveal
- Actual Ship Weight: 13 lbs - UPS oversize weight charges apply\*

### Code/Standards Compliance

Product IAPMO listed

### Accessories

237141

FORMERA Large Single Grid

### Warranty

BLANCO offers a limited lifetime warranty on all sinks and faucets, as well as a one-year warranty on all custom accessories.



View our how-to videos to learn more about installing and caring for BLANCO products:

[https://www.blanco-germany.com/en\\_us/en\\_us/support/how\\_to\\_videos/all.html](https://www.blanco-germany.com/en_us/en_us/support/how_to_videos/all.html)



Questions? Contact us today

**BLANCO America, Inc.**  
110 Mount Holly By-Pass  
Lumberton, NJ 08048

Phone & Fax  
Phone: 888-668-6201  
Fax: 609-668-6211

*While BLANCO endeavors to provide accurate information, all dimensions are nominal, cannot be guaranteed, and are subject to change or cancellation. BLANCO assumes no responsibility for use of superseded or voided specifications.*