

Features

- Solid brass construction
- Includes threaded body with toe-activated stopper
- Body offers 1-1/2" IPS threads at 1-1/4" of length
- Intended for use with strainer shoes including Gerber, Rapid Fit, and Watco.
- Single hole 3" diameter faceplate with decorative mounting screw
- Complements various product series

**Tub & Shower Waste & Overflow
Toe-Activated Tub Drain Kit**

273



Codes / Standards Compliance

Meets or exceeds the following at date of manufacture:

- ASME A112.18.2/CSA B125.2
- IAMPO/cUPC
- IPC
- All applicable US Federal and State material regulations

Colors / Finishes

- 10B: Oil Rubbed Bronze
- 15: Polished Nickel
- 15S: Satin Nickel - PVD
- 26: Polished Chrome
- Other: Refer to the Newport Brass catalog for additional color/finish options.



Specified Model

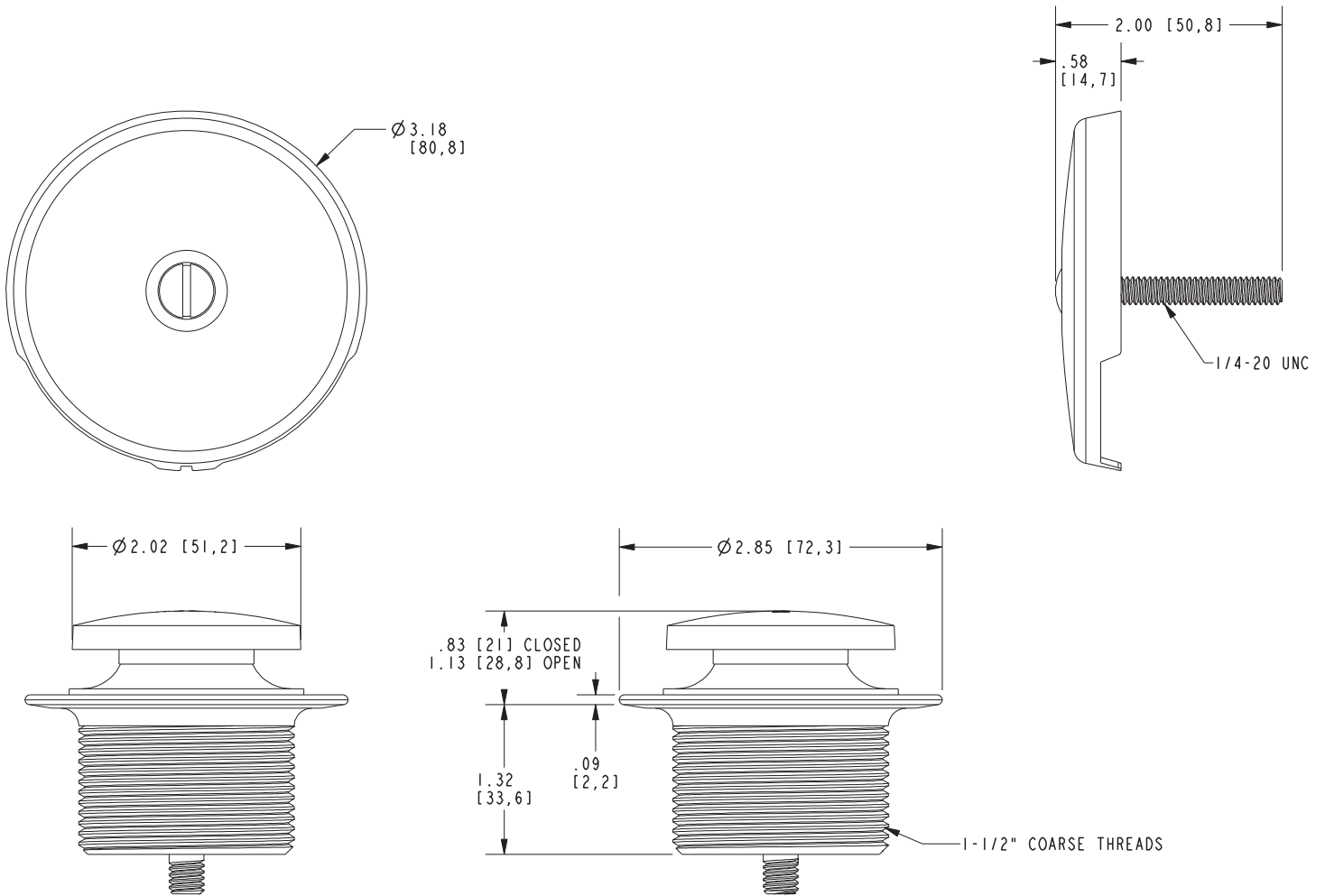
Model	Description	Colors Finishes
273	Tub & Shower Waste & Overflow Toe-Activated Tub Drain Kit	<input type="checkbox"/> 10B <input type="checkbox"/> 15 <input type="checkbox"/> 15S <input type="checkbox"/> 26 <input type="checkbox"/> Other

Product Specification Add "Color / Finish" suffix to Model number, below.

The Waste & Overflow Toe-Activated Tub Drain with Faceplate shall be made of solid brass construction. Product shall include body with 1-1/2" IPS threads and Toe-Activated stopper. Product shall include faceplate with decorative mounting screw for installation. The Waste & Overflow Toe-Activated Tub Drain Set shall be Newport Brass Model 273/____.

273

Product Dimensions are provided for reference only. For specific product installation guidelines, please reference the Installation Instructions of the product being installed.



Brasstech Tub & Shower Waste & Overflow 273