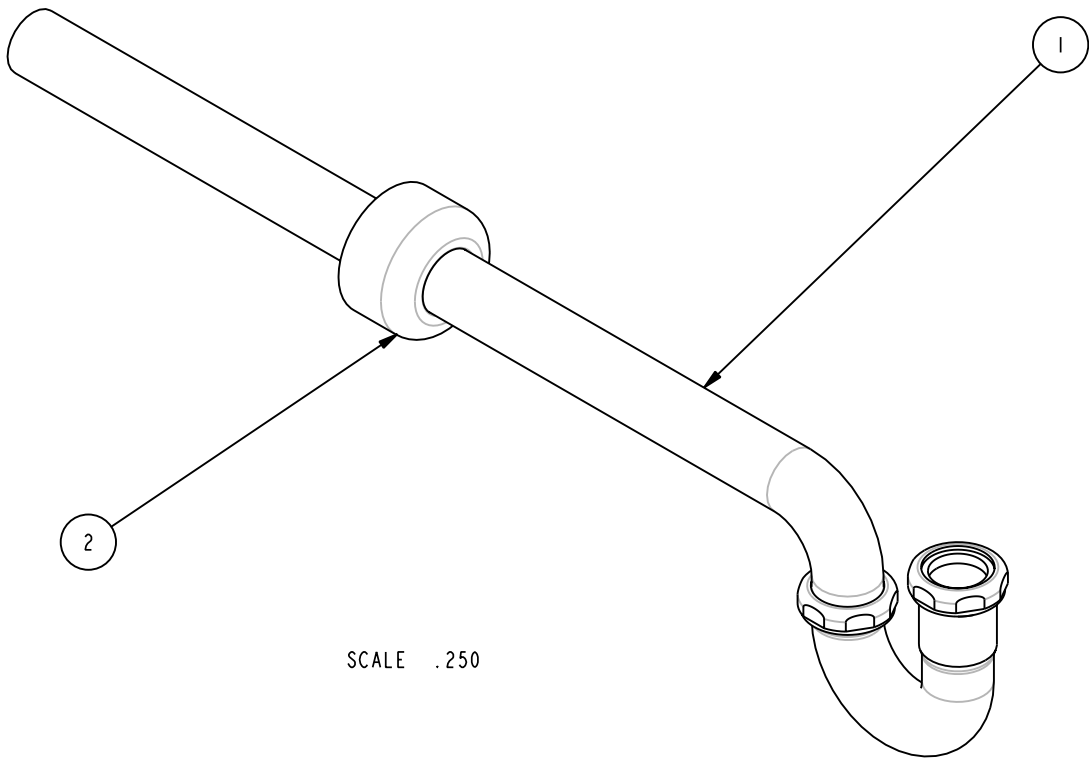


BILL OF MATERIAL (CURRENT LEVEL)				
ITEM	PT/ASSY	DESCRIPTION	TYPE	QTY.
1	300-1	P TRAP 1-1/2" X 24	ASSEMBLY	1
2	313	BOX FLANGE 1-1/2	PART	1



SCALE .250

COPYRIGHT 2003 BRASSTECH, INC. THESE DRAWINGS AND THE DESIGNS DEPICTED HEREIN ARE THE PROPRIETARY PROPERTY OF BRASSTECH. ANY USE OR REPRODUCTION IS SUBJECT TO THE EXPRESS APPROVAL OF BRASSTECH. UNAUTHORIZED USE IS STRICTLY PROHIBITED. ALL RIGHTS RESERVED.

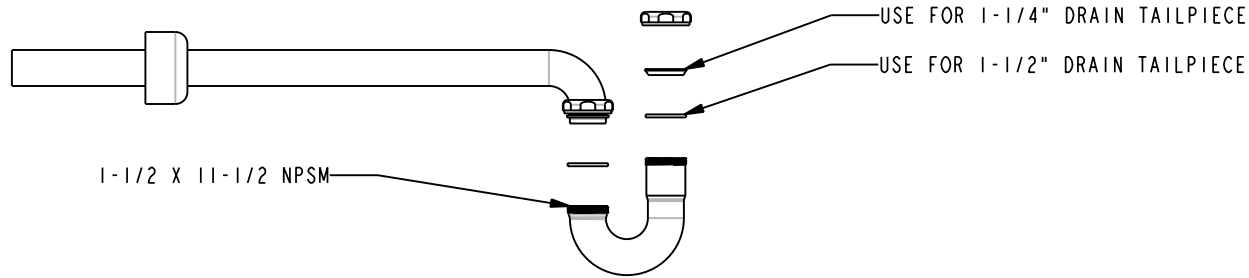
**BRASSTECH**  
INCORPORATED  
2001 E. CARNEGIE AVE.  
SANTA ANA, CA 92705  
(949) 417-5207

P TRAP 1-1/2 X 24 EXT W/ FLANGE

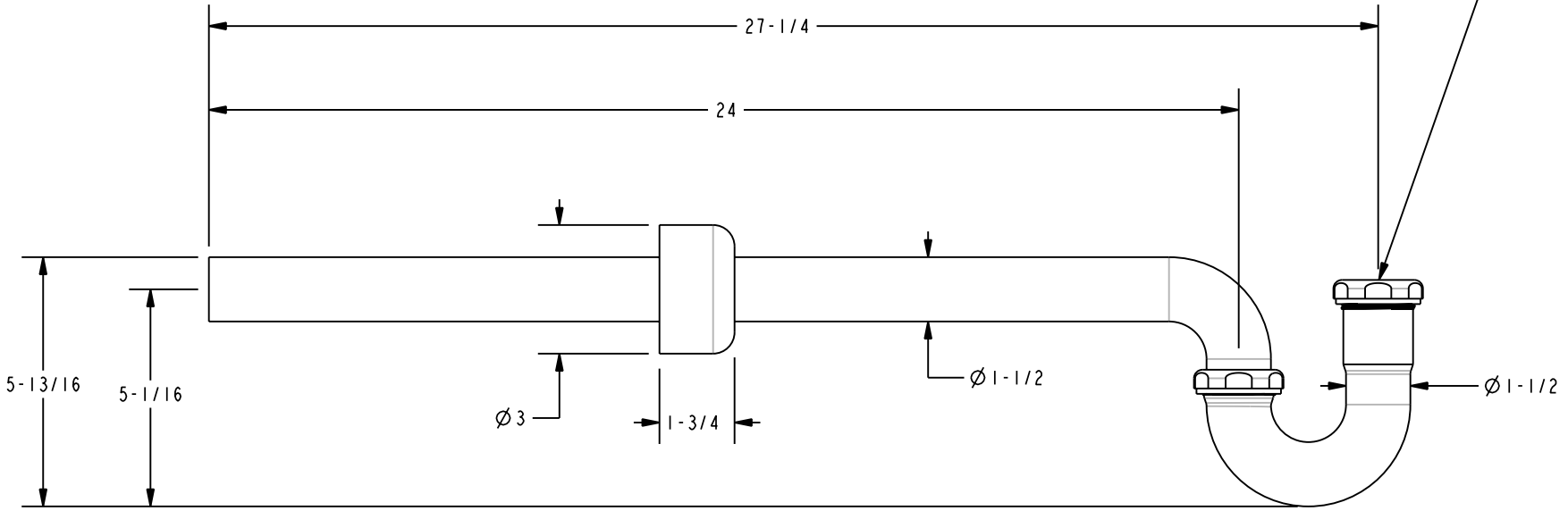
ASSY. NO.	3013-1			EO-0361	05/18/04
SCALE .100	REF. -	SHEET 1 OF 1	REV	REV DESC	DATE

**SPECIFICATION DWG**

SCALE .125



ACCEPTS 1-1/4" OR 1-1/2" DRAIN TAILPIECE



SCALE .250

DIMENSIONS ARE IN INCHES AND AN APPROXIMATION OF A TYPICAL INSTALLATION

COPYRIGHT 2003 BRASSTECH, INC. THESE DRAWINGS AND THE DESIGNS DEPICTED HEREIN ARE THE PROPRIETARY PROPERTY OF BRASSTECH. ANY USE OR REPRODUCTION IS SUBJECT TO THE EXPRESS APPROVAL OF BRASSTECH. UNAUTHORIZED USE IS STRICTLY PROHIBITED. ALL RIGHTS RESERVED.

**BRASSTECH**  
INCORPORATED  
2001 E. CARNEGIE AVE.  
SANTA ANA, CA 92705  
(949) 417-5207

P TRAP 1-1/2 X 24 EXT W/ FLANGE

ASSY. NO.		3013-1_SPEC			
SCALE .100	REF. -	SHEET 1	OF 1	REV	REV DESC
					EO-0361
					05/18/04
					DATE