

4

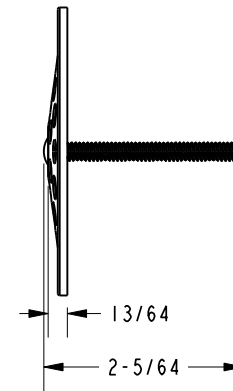
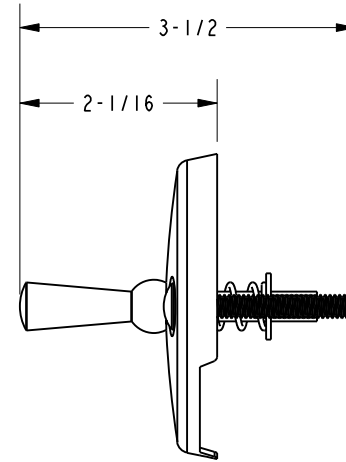
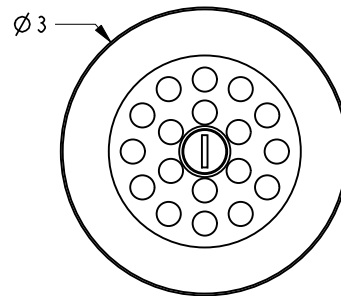
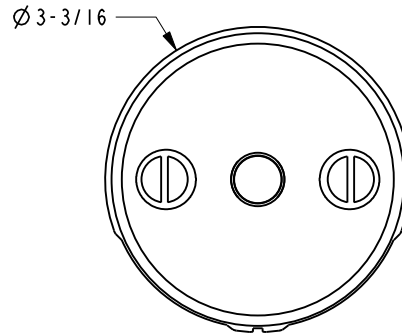
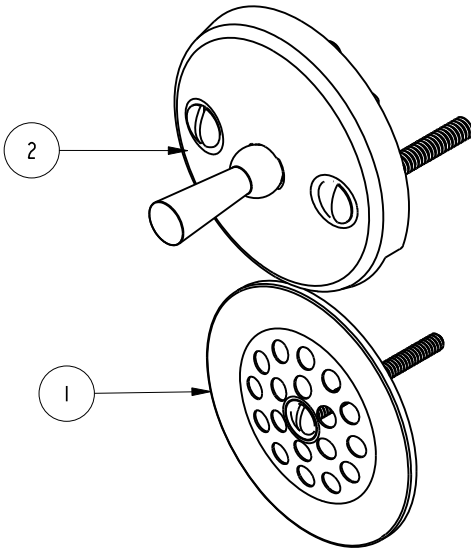
3

2

1

**BILL OF MATERIAL (CURRENT LEVEL)**

ITEM	PT/ASSY	DESCRIPTION	TYPE	QTY.
1	260	GERBER TYPE STRAINER	ASSEMBLY	1
2	267	TRIP LEVER FACEPLATE	ASSEMBLY	1



D

C

B

A

D

C

B

A

COPYRIGHT 2005 BRASSTECH, INC. THESE DRAWINGS AND THE DESIGNS DEPICTED HEREIN ARE THE PROPRIETARY PROPERTY OF BRASSTECH. ANY USE OR REPRODUCTION IS SUBJECT TO THE EXPRESS APPROVAL OF BRASSTECH. UNAUTHORIZED USE IS STRICTLY PROHIBITED. ALL RIGHTS RESERVED.

**BRASSTECH**  
 INCORPORATED  
 2001 CARNEGIE AVE.  
 SANTA ANA, CA 92705  
 (949) 417-5207

**TRIP LEVER DRAIN KIT**

ASSY. NO. <b>275</b>		-	-	-
SCALE .250	REF. -	SHEET 1	OF 1	REV
		EN-2537	05/17/13	DATE

4

3

2

1