

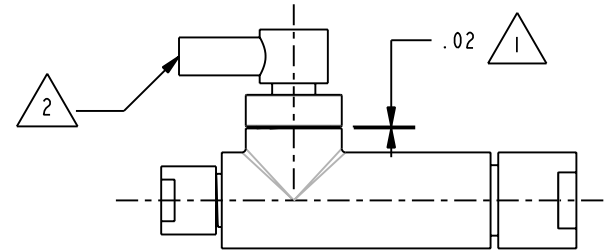
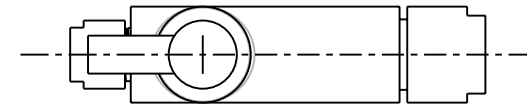
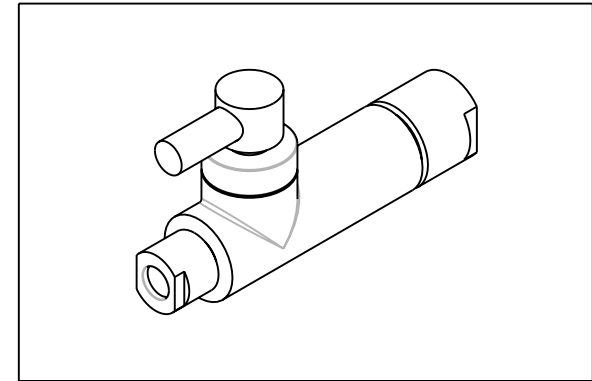
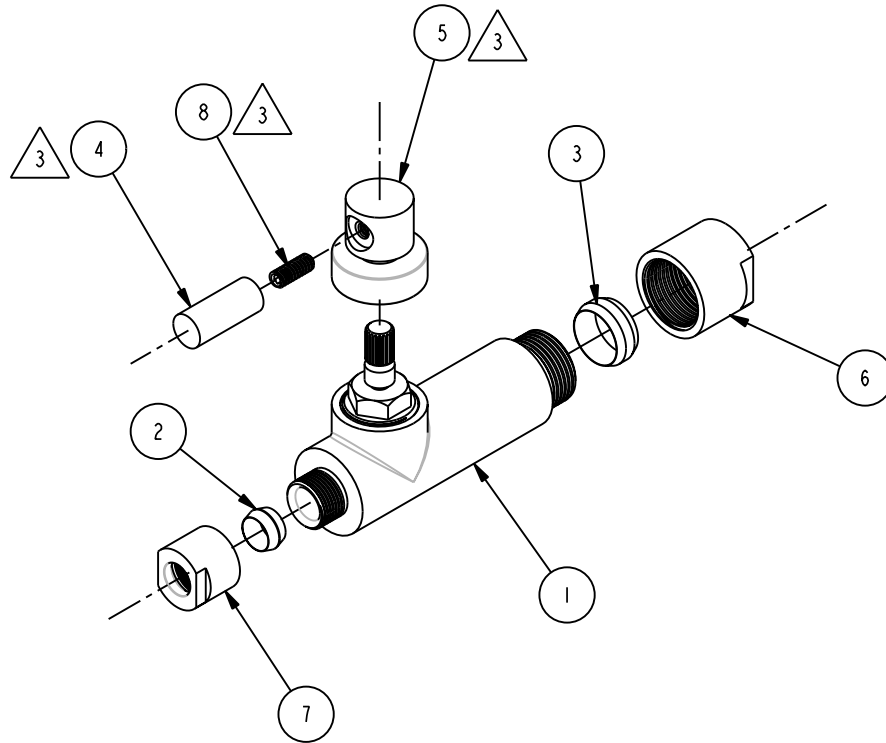
1 CLEARANCE GAP AFTER INSTALLATION

2 HANDLE ORIENTATION WHEN VALVE OPENED

3 USE ITEM 8 TO SECURE ITEM 5 TO CARTRIDGE STEM FIRST, THEN APPLY LOCTITE 680 OR EQUIVALENT BETWEEN ITEM 8 AND ITEM 4 BEFORE INSTALL THEM TOGETHER

BILL OF MATERIAL (CURRENT LEVEL)

ITEM	PT/ASSY	DESCRIPTION	TYPE	QTY.
1	6-033	BODY ASSY, STRAIGHT, ROUND	ASSEMBLY	1
2	50359	COMPRESSION RING	PART	1
3	50362	COMPRESSION RING	PART	1
4	50733	SPOKE	PART	1
5	50738	LEVER HANDLE HUB	PART	1
6	50741	NUT, 13/16-18 UNS-2B THREAD	PART	1
7	50742	NUT, 9/16-24 UNEF-2B THREAD	PART	1
8	92087	SET SCREW 10-24 X 1/2"	PART	1



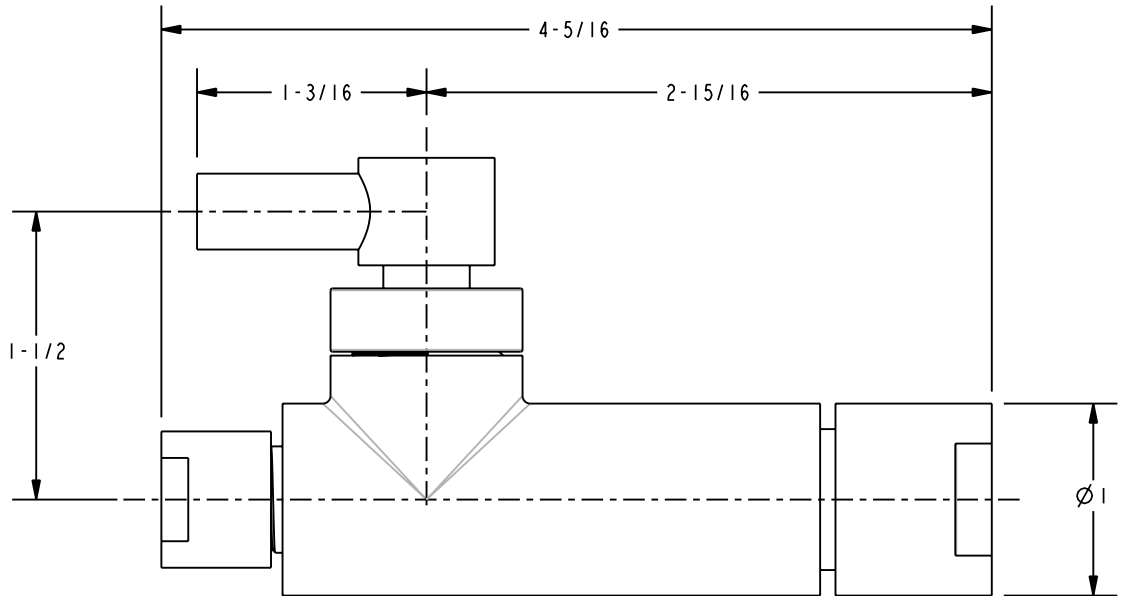
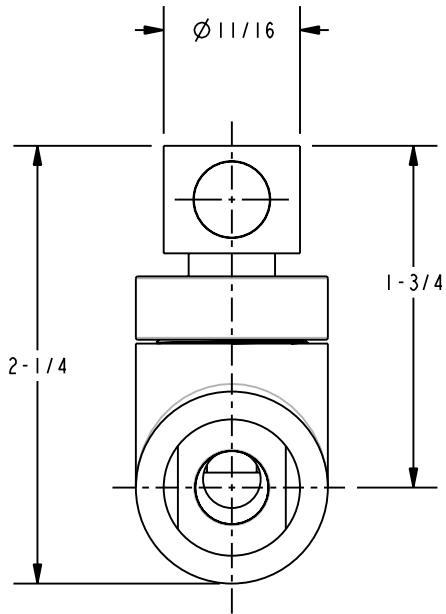
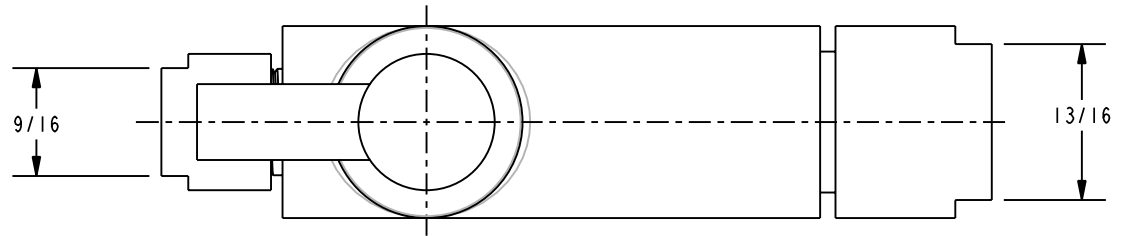
COPYRIGHT 2003 BRASSTECH, INC. THESE DRAWINGS AND THE DESIGNS DEPICTED HEREIN ARE THE PROPRIETARY PROPERTY OF BRASSTECH. ANY USE OR REPRODUCTION IS SUBJECT TO THE EXPRESS APPROVAL OF BRASSTECH. UNAUTHORIZED USE IS STRICTLY PROHIBITED. ALL RIGHTS RESERVED.

BRASSTECH
INCORPORATED
2001 E. CARNEGIE AVE.
SANTA ANA, CA 92705
(949) 417-5207

STRAIGHT VALVE, LEVER HANDLE, ROUND,
1/2" TUBE INLET, 3/8" TUBE OUTLET

ASSY. NO.		412-1				EO-0392		07/20/04	
SCALE .500	REF. -	SHEET 1 OF 2		REV	REV DESC	DATE			

SPECIFICATION DWG



DIMENSIONS ARE IN INCHES AND AN APPROXIMATION OF A TYPICAL INSTALLATION

COPYRIGHT 2004 BRASSTECH, INC. THESE DRAWINGS AND THE DESIGNS DEPICTED HEREIN ARE THE PROPRIETARY PROPERTY OF BRASSTECH. ANY USE OR REPRODUCTION IS SUBJECT TO THE EXPRESS APPROVAL OF BRASSTECH. UNAUTHORIZED USE IS STRICTLY PROHIBITED. ALL RIGHTS RESERVED.

BRASSTECH		2001 E. CARNEGIE AVE.
INCORPORATED		SANTA ANA, CA 92705
		(949) 417-5207
DWG NO.	412-1	REV -
SCALE 1.000	REF. -	SHEET 2 OF 2