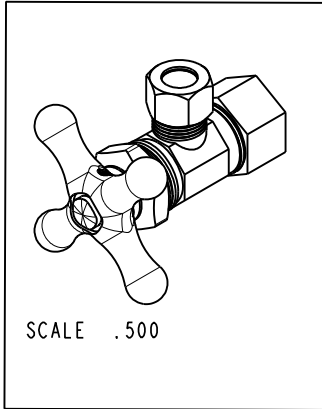


BILL OF MATERIAL (CURRENT LEVEL)				
ITEM	PT/ASSY	DESCRIPTION	TYPE	QTY.
1	50668	1/2 NOM COMP X 3/8 OD COMP ANGLE VALVE BODY	PART	1
2	50362	COMPRESSION RING	PART	1
3	50678	COMP NUT 1/2" Cu PIPE	PART	1
4	50359	COMPRESSION RING	PART	1
5	50677	COMP NUT 3/8" TUBING	PART	1
6	50663	PLASTIC STEM	PART	1
7	50350	GASKET	PART	1
8	50664	WSHR, .406 ID X .680 OD X .04 THK, FLT, CELCON NSF 6I	PART	1
9	50675	BONNET PACKING NUT	PART	1
10	50356	CROSS HANDLE	PART	1
11	92000	SCRW, 8-32 X 1/8 SKT HD CUP PT SS	PART	1



COPYRIGHT 2005 BRASSTECH, INC. THESE DRAWINGS AND THE DESIGNS DEPICTED HEREIN ARE THE PROPRIETARY PROPERTY OF BRASSTECH. ANY USE OR REPRODUCTION IS SUBJECT TO THE EXPRESS APPROVAL OF BRASSTECH. UNAUTHORIZED USE IS STRICTLY PROHIBITED. ALL RIGHTS RESERVED.

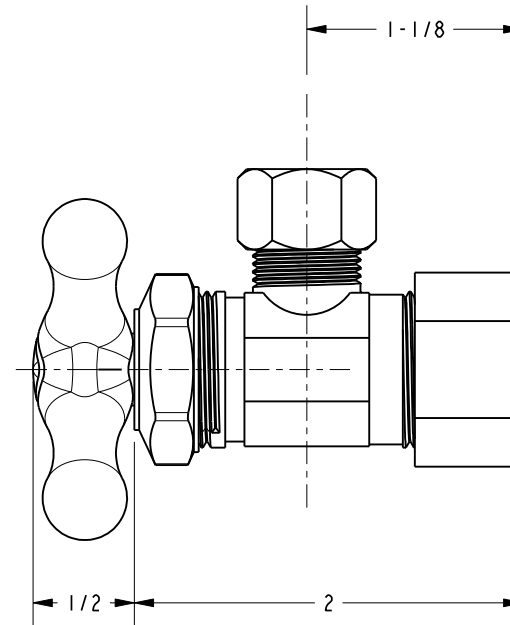
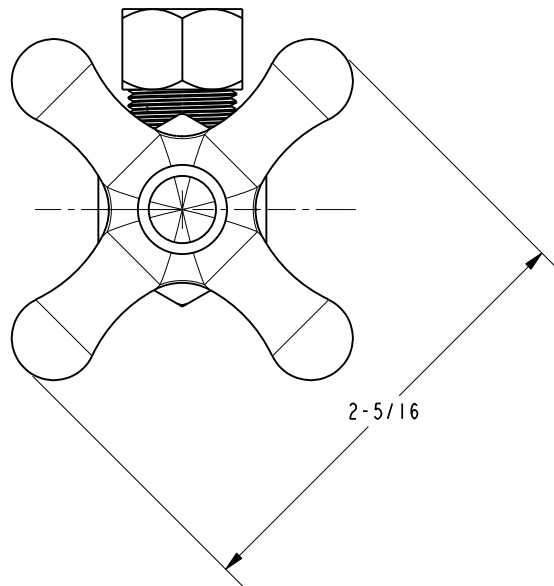
**BRASSTECH**  
INCORPORATED  
2001 E. CARNEGIE AVE.  
SANTA ANA, CA 92705  
(949) 417-5207

1/2" COMP. X 3/8" SUPPLY VALVE

ASSY. NO.	403X		
SCALE .750	REF. ***	SHEET 1 OF 2	REV
			REV DESC
			DATE

D	EN-2514	04/26/13
-	EN-1699	02/03/11

SPECIFICATION DWG



DIMENSIONS ARE IN INCHES AND AN APPROXIMATION OF A TYPICAL INSTALLATION

COPYRIGHT 2005 BRASSTECH, INC. THESE DRAWINGS AND THE DESIGNS DEPICTED HEREIN ARE THE PROPRIETARY PROPERTY OF BRASSTECH. ANY USE OR REPRODUCTION IS SUBJECT TO THE EXPRESS APPROVAL OF BRASSTECH. UNAUTHORIZED USE IS STRICTLY PROHIBITED. ALL RIGHTS RESERVED.

<b>BRASSTECH</b>		2001 CARNEGIE AVE. SANTA ANA, CA 92705 (949) 417-5207	
DWG NO.	403X	REV	D
SCALE	1.000	REF.	***
		SHEET	2 OF 2