

Features

- Solid brass construction
- Post Locking Style
- Includes strainer body, basket, nuts & washers
- Fits 3-1/2" Opening
- Complements various product series

Kitchen Basket Strainer Set

121



Codes / Standards Compliance

Meets or exceeds the following at date of manufacture:

- ASME A112.18.1/CSA B125.1
- IAMPO/cUPC
- IPC
- All applicable US Federal and State material regulations



Colors / Finishes

- 10B: Oil Rubbed Bronze
- 15: Polished Nickel
- 15S: Satin Nickel - PVD
- 26: Polished Chrome
- Other: Refer to the Newport Brass catalog for additional color/finish options.

Specified Model

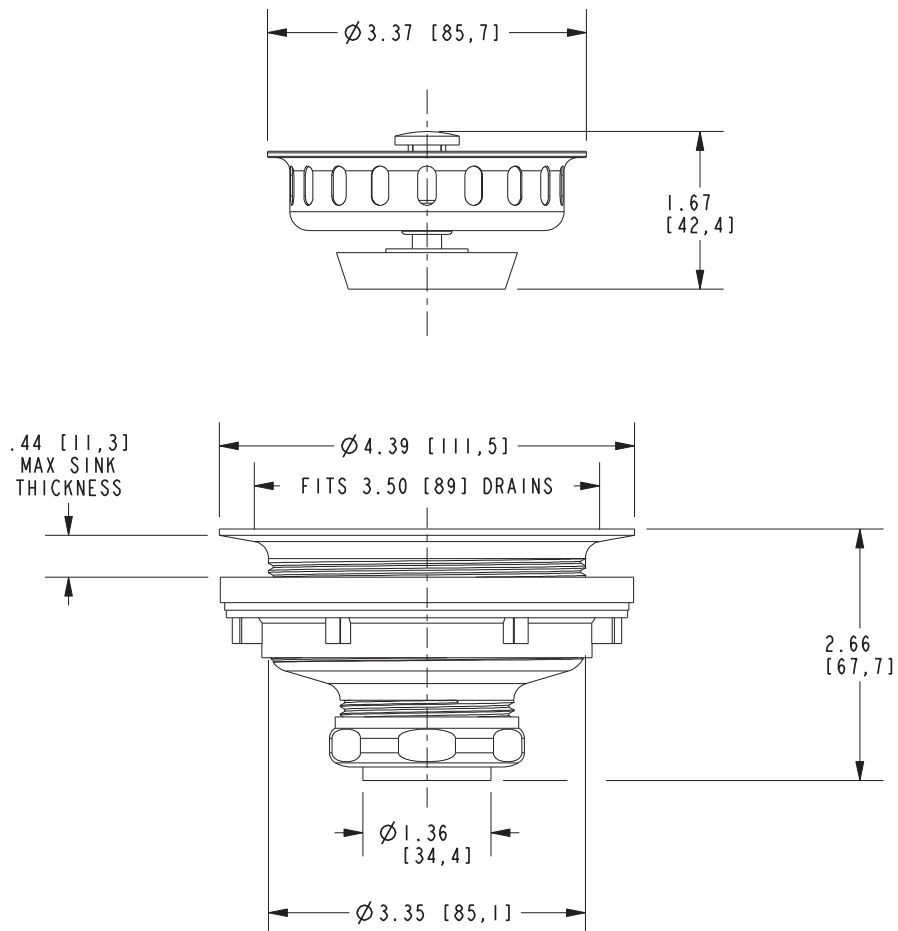
Model	Description	Colors Finishes
121	Kitchen Basket Strainer Set	<input type="checkbox"/> 10B <input type="checkbox"/> 15 <input type="checkbox"/> 15S <input type="checkbox"/> 26 <input type="checkbox"/> Other

Product Specification Add "Color / Finish" suffix to Model number, below.

The Basket Strainer Set shall be made of solid brass construction. Product is designed to fit 3-1/2" openings. Product shall feature a post style handle and include all necessary hardware for a complete installation. The Basket Strainer Set shall be Newport Brass Model 121/_____.

121

Product Dimensions are provided for reference only. For specific product installation guidelines, please reference the Installation Instructions of the product being installed.



Brasstech Kitchen Basket Strainer Set 121