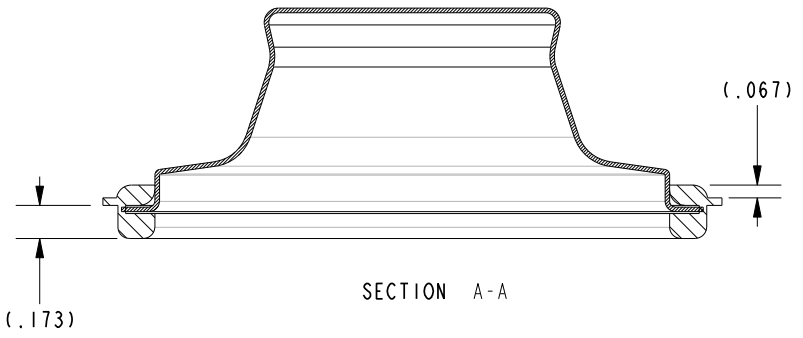
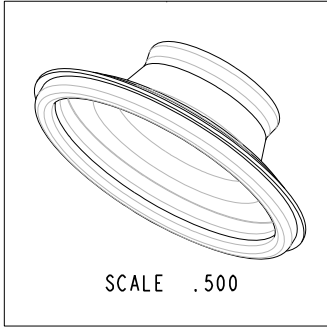
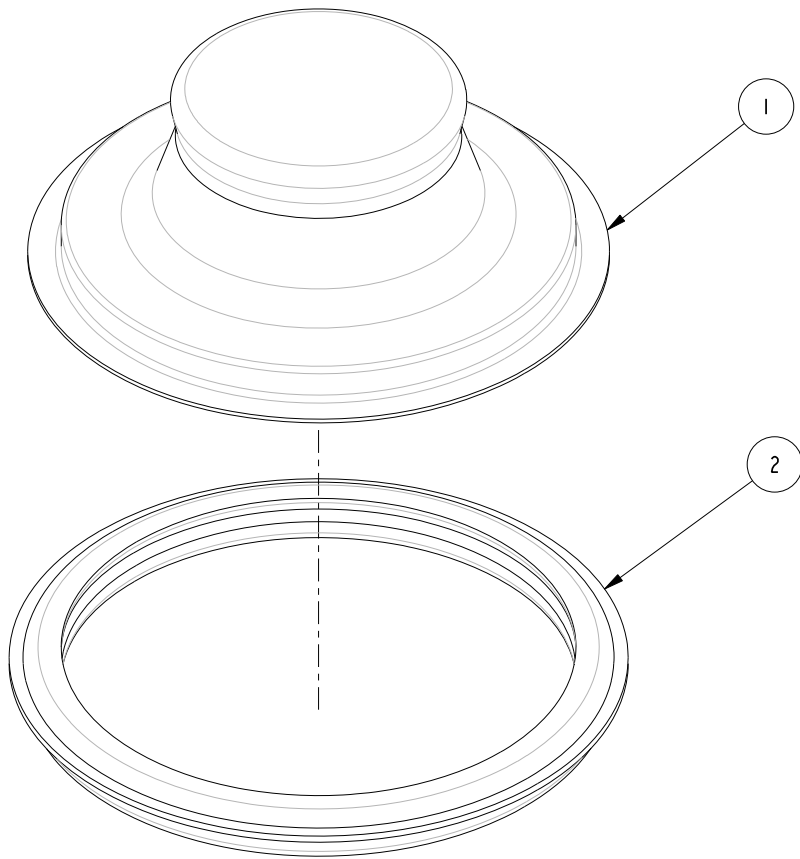


BILL OF MATERIAL (CURRENT LEVEL)				
ITEM	PT/ASSY	DESCRIPTION	TYPE	QTY.
1	50075	GARBAGE DISPOSAL STOPPER	PART	1
2	91120	RUBBER GASKET	PART	1



COPYRIGHT 2005 BRASSTECH, INC. THESE DRAWINGS AND THE DESIGNS DEPICTED HEREIN ARE THE PROPRIETARY PROPERTY OF BRASSTECH. ANY USE OR REPRODUCTION IS SUBJECT TO THE EXPRESS APPROVAL OF BRASSTECH. UNAUTHORIZED USE IS STRICTLY PROHIBITED. ALL RIGHTS RESERVED.

BRASSTECH
INCORPORATED
2001 E. CARNEGIE AVE.
SANTA ANA, CA 92705
(949) 417-5207

DISPOSAL STOPPER

ASSY. NO.	113		A	EN-2841	12/03/14
SCALE	1.000	REF.	-	RELEASED	PRE '95
SHEET	1	OF	1	REV	REV DESC
					DATE