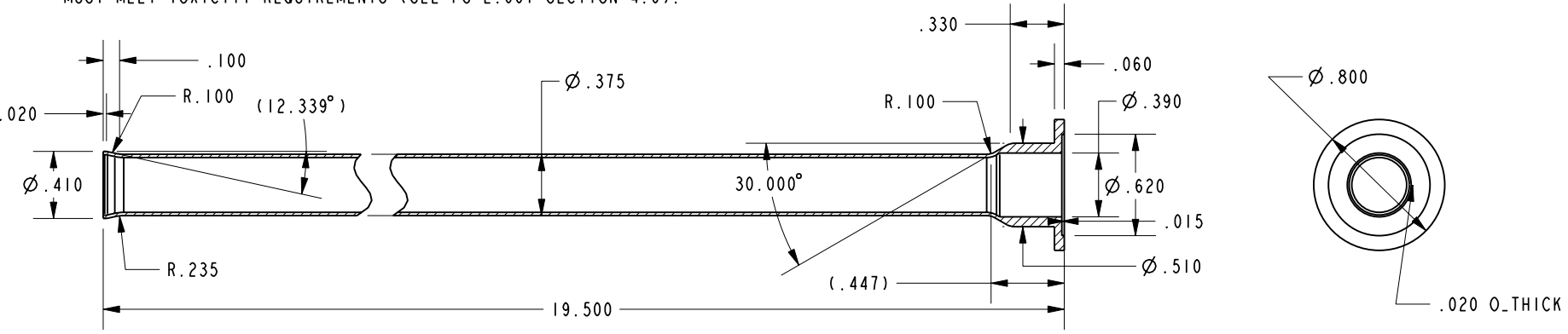


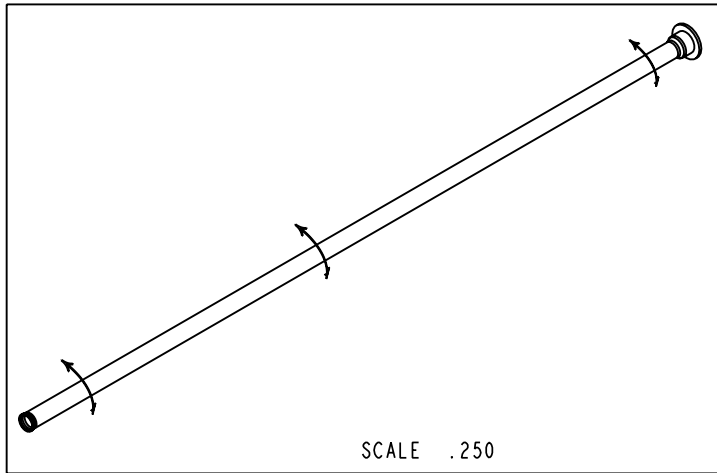
NOTES:

1. RAW METAL PARTS SHALL BE PURCHASED EXTERIOR POLISHED AND BUFFED. FOR MATERIAL SPECIFICATIONS SEE PS-E.001. FOR FINISH SPECIFICATIONS SEE SOP-Q.001 AND SOP-Q.007.
2. PART GEOMETRY IS DEFINED BY CAD MODEL PROVIDED BY ENGINEERING.
3. AESTHETIC DIMENSION. FOLLOW AESTHETIC DIMENSIONS AND CAD MODEL TO MAINTAIN DESIGN INTENT (SEE PS-E.002 FOR "AESTHETIC DIMENSION" DEFINITION).
4. DIMENSIONS IN BRACKETS [] ARE IN MILLIMETERS AND FOR REFERENCE ONLY.
5. \longleftrightarrow INDICATES STROKE DIRECTION FOR SATIN FINISHES ONLY.
6. DO NOT POLISH THIS SURFACE.
7. PARTS WITH WETTED SURFACE AREA NOTED WITHIN THE ATTRIBUTES FIELD MUST MEET TOXICITY REQUIREMENTS (SEE PS-E.001 SECTION 4.0).

ATTRIBUTES	
TOTAL SURFACE AREA(in ²)	44.550
PLATED SURFACE AREA(in ²)	23.072
WETTED SURFACE AREA(in ²)	N/A
WEIGHT LB. (G)	.145 LB. (66 G.)
VOLUME(in ³)	.473



SECTION A-A



ZONE	REV	DESCRIPTION	DATE	APPROVED
-	-	RELEASE	PRE '95	V.V.

COPYRIGHT 2005 BRASSTECH, INC. THESE DRAWINGS AND THE DESIGNS DEPICTED HEREIN ARE THE PROPRIETARY PROPERTY OF BRASSTECH. ANY USE OR REPRODUCTION IS SUBJECT TO THE EXPRESS APPROVAL OF BRASSTECH. UNAUTHORIZED USE IS STRICTLY PROHIBITED. ALL RIGHTS RESERVED.

UNITS ARE: INCHES [MM]		TOLERANCES ARE:	
FRACTIONS	DECIMALS	ANGLES	
±1/64"	.X ±.1 .XX ±.010 .XXX ±.005	±1°	
APPLICATION		(X.XXX) DENOTES CRITICAL DIMS. ALL THREADS ARE CRITICAL	
REMOVE ALL BURRS AND SHARP EDGES		DRAWN	H. LE
MATERIAL	SEE NOTE 1	CHECKED	-
FINISH	SEE NOTE 1	APPROVED	-

BRASSTECH 2001 E. CARNEGIE AVE.
INCORPORATED SANTA ANA, CA 92705
(949) 417-5207

RISER FLAT HEAD

DWG NO. **50392** REV -

SCALE | 1.000 REF. - SHEET | OF |