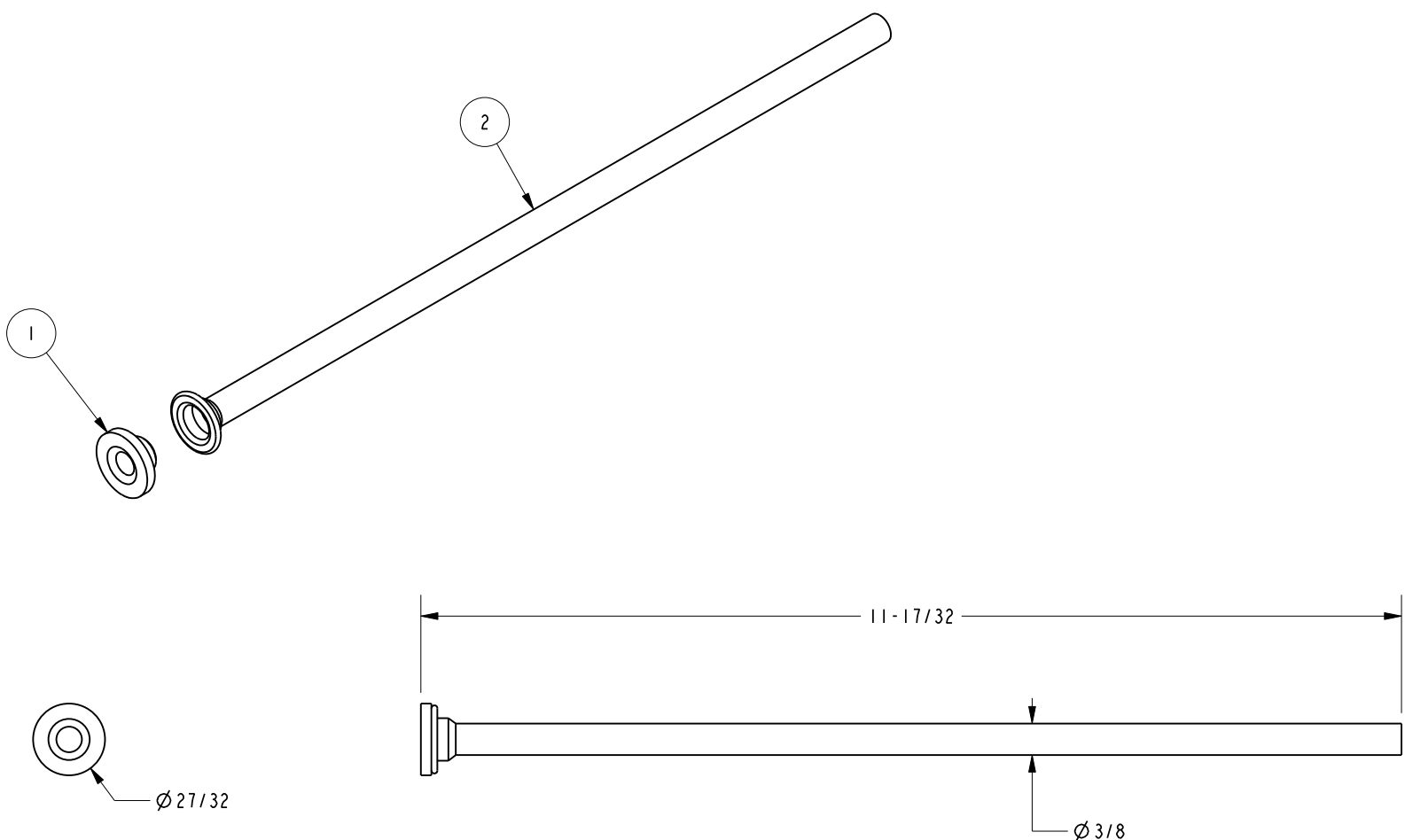


BILL OF MATERIAL (CURRENT LEVEL)				
ITEM	PT/ASSY	DESCRIPTION	TYPE	QTY.
1	91203	CLOSET PLASTIC INSERT (CPI16)	PART	1
2	50391	"DE" SERIES SUPPLY TUBE	PART	1



COPYRIGHT 2005 BRASSTECH, INC. THESE DRAWINGS AND THE DESIGNS DEPICTED HEREIN ARE THE PROPRIETARY PROPERTY OF BRASSTECH. ANY USE OR REPRODUCTION IS SUBJECT TO THE EXPRESS APPROVAL OF BRASSTECH. UNAUTHORIZED USE IS STRICTLY PROHIBITED. ALL RIGHTS RESERVED.

BRASSTECH
INCORPORATED
2001 CARNEGIE AVE.
SANTA ANA, CA 92705
(949) 417-5207

SUPPLY TUBE FLAT HEAD 3/8 X 12"

ASSY. NO.	435	-	-	-
SCALE	.500	REF.	-	-
SHEET	1	OF	1	REV
REV	EN-2537	REV DESC	05/17/13	DATE