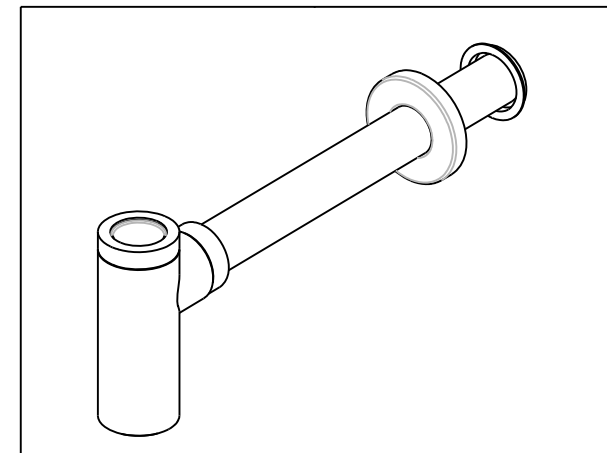
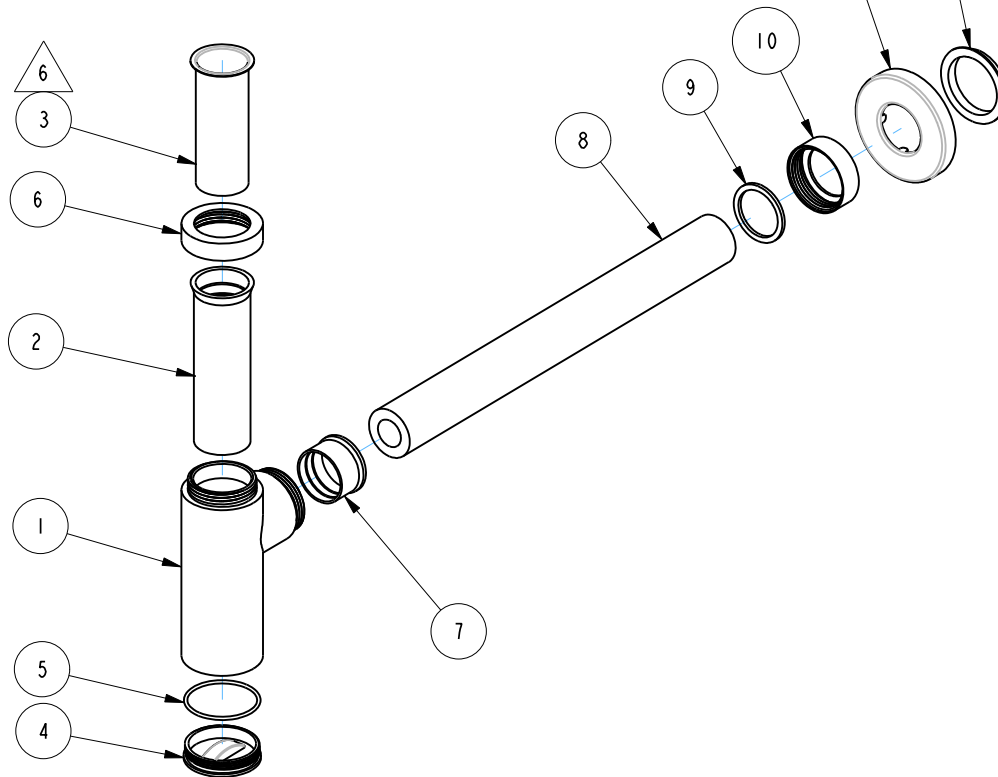


- 1 COMPLY WITH ASME A112.18.2
- 2 MINIMUM DRAIN RATE 7.0 GPM (27L/MIN).
- 3 MINIMUM WATER SEAL DISTANCE.
4. P-TRAP CAPABLE TO ACCOMODATE A 1.25 +.008/- .000 TUBE SIZE.
- 5 LEAK TEST:
SEALS USED IN P-TRAP SHALL BE SUBJECTED TO A STATIC PRESSURE OF 20 IN. (500 mm) WATER COLUMN, USING COLD WATER, FOR A PERIOD OF 5 MIN. AND SHALL SHOW NO SIGNS OF LEAKAGE.
- 6 ITEMS 3 AND 11 ARE OPTIONAL PARTS, ONLY INCLUDED WHEN ASSEMBLY IS SUPPLIED FINISHED AND PLATED. DO NOT INCLUDE ITEMS 3 AND 11 IF PURCHASED AS UNASSEMBLED (INDIVIDUAL COMPONENTS) AND RAW.
- 7 OPTIONAL PART USED TO ACCOMODATE \varnothing 1-1/2" CONNECTION.

BILL OF MATERIAL (CURRENT LEVEL)

ITEM	PT/ASSY	DESCRIPTION	TYPE	QTY.
1	50876	BODY	PART	1
2	50882	TRAP PLASTIC	PART	1
3	50883	TRAP BRASS	PART	1
4	50881	PLUG CLEAN OUT	PART	1
5	91512	O-RING	PART	1
6	50880	NUT	PART	1
7	50877	TUBE SLEEVE	PART	1
8	50878	TUBE	PART	1
9	91511	WASHER	PART	1
10	50879	NUT	PART	1
11	50884	CAP	PART	1
12	91192	WSHR PLY 1.25" X 1.5	PART	1

98132



C EN-2551 6/13/2013

COPYRIGHT 2005 BRASSTECH, INC. THESE DRAWINGS AND THE DESIGNS DEPICTED HEREIN ARE THE PROPRIETARY PROPERTY OF BRASSTECH. ANY USE OR REPRODUCTION IS SUBJECT TO THE EXPRESS APPROVAL OF BRASSTECH. UNAUTHORIZED USE IS STRICTLY PROHIBITED. ALL RIGHTS RESERVED.

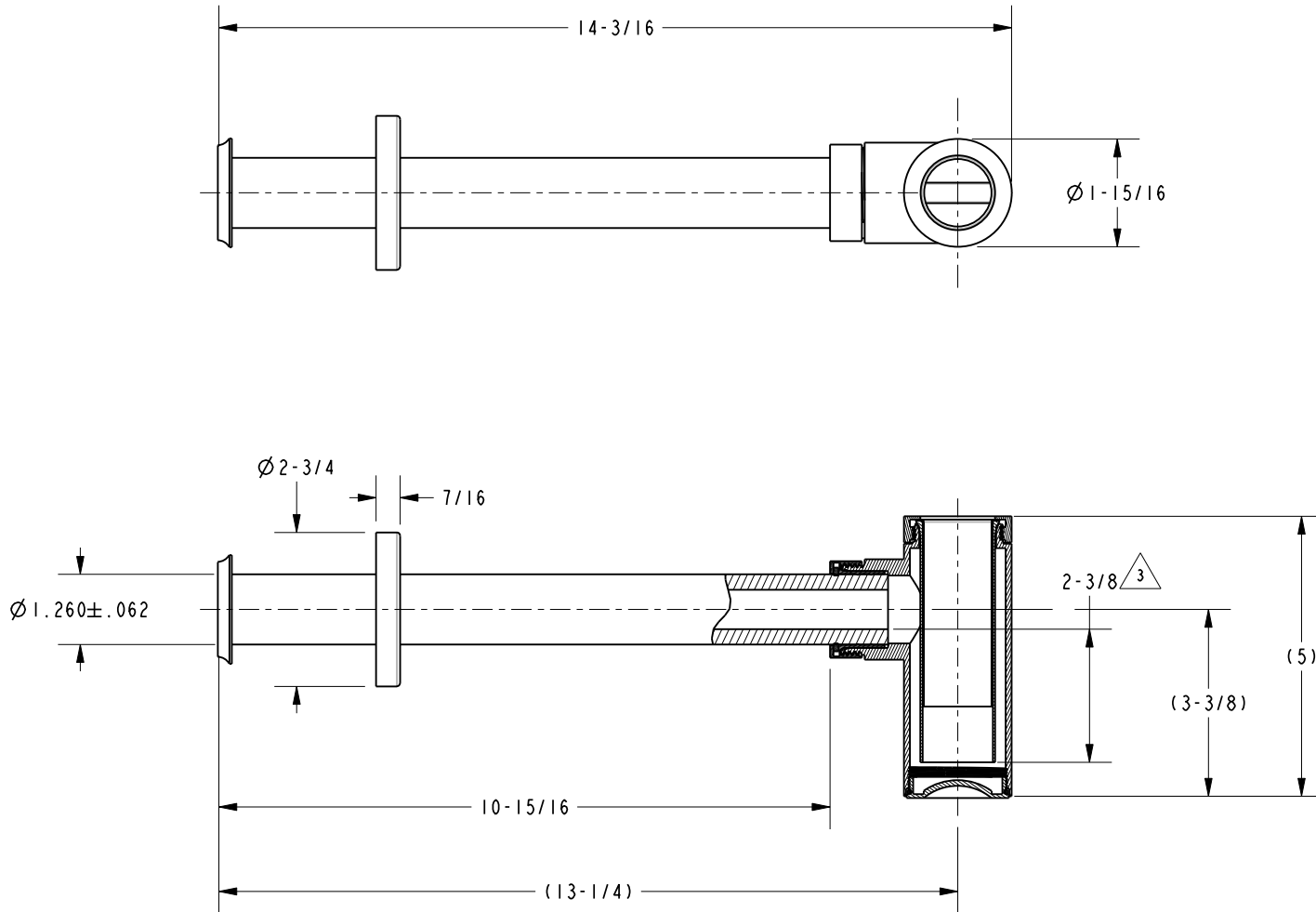
BRASSTECH
INCORPORATED
2001 E. CARNEGIE AVE.
SANTA ANA, CA 92705
(949) 417-5207

CONTEMPORARY P TRAP, ROUND

ASSY. NO.	301-2		
SCALE	.220	REF.	-
SHEET	1	OF	2
REV		REV DESC	
		DATE	

B	EN-1897	09/16/11
A	EN-1533	04/22/10
-	EO-0437	08/11/04

SPECIFICATION DWG



DIMENSIONS ARE IN INCHES AND AN APPROXIMATION OF A TYPICAL INSTALLATION

COPYRIGHT 2005 BRASSTECH, INC. THESE DRAWINGS AND THE DESIGNS DEPICTED HEREIN ARE THE PROPRIETARY PROPERTY OF BRASSTECH. ANY USE OR REPRODUCTION IS SUBJECT TO THE EXPRESS APPROVAL OF BRASSTECH. UNAUTHORIZED USE IS STRICTLY PROHIBITED. ALL RIGHTS RESERVED.

BRASSTECH		2001 E. CARNEGIE AVE.	
INCORPORATED		SANTA ANA, CA 92705	
		(949) 417-5207	
DWG NO.	301-2	REV	B
SCALE	.313	REF.	-
		SHEET	2 OF 2