

4

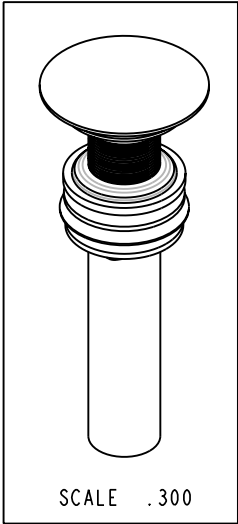
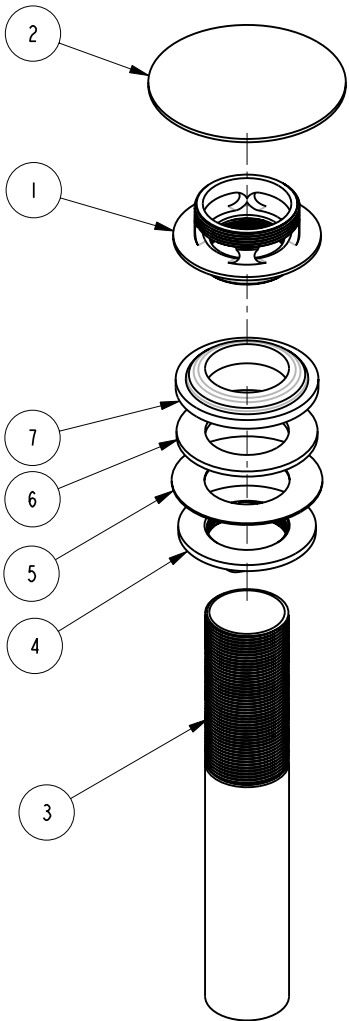
3

2

1

BILL OF MATERIAL (CURRENT LEVEL)

ITEM	PT/ASSY	DESCRIPTION	TYPE	QTY.
1	50813	ADAPTER, DOME	PART	1
2	50814	CAP, DOME	PART	1
3	50460	TAILPIECE FOR DRAIN ASSY	PART	1
4	10209	MNT'G NUT - DRAIN FL	PART	1
5	50029	WASHER	PART	1
6	91196	WASHER - 1-1/4 X .094	PART	1
7	91197	WASHER - 1-1/4 MOLDED	PART	1



COPYRIGHT 2005 BRASSTECH, INC. THESE DRAWINGS AND THE DESIGNS DEPICTED HEREIN ARE THE PROPRIETARY PROPERTY OF BRASSTECH. ANY USE OR REPRODUCTION IS SUBJECT TO THE EXPRESS APPROVAL OF BRASSTECH. UNAUTHORIZED USE IS STRICTLY PROHIBITED. ALL RIGHTS RESERVED.

BRASSTECH
 INCORPORATED
 2001 E. CARNEGIE AVE.
 SANTA ANA, CA 92705
 (949) 417-5207

CAP DOME DRAIN W/O OVERFLOW

ASSY. NO.		499-1			
SCALE .350	REF. -	SHEET 1 OF 2	REV	EO-0662	03/08/06
			REV DESC	DATE	

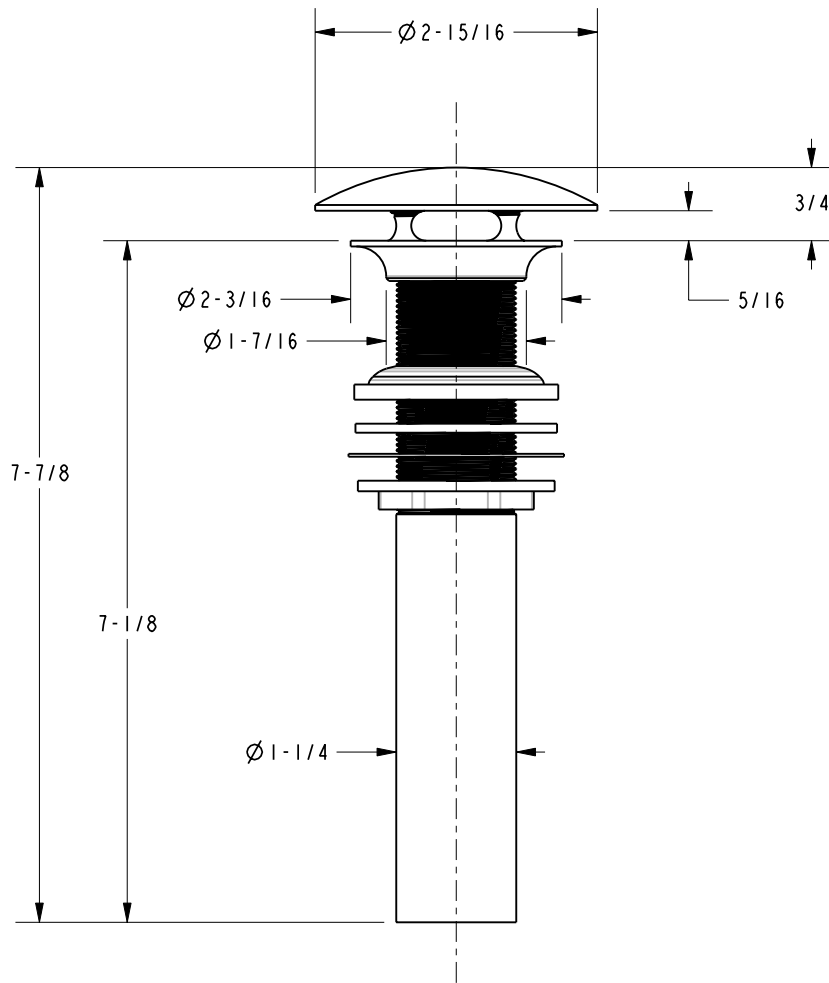
4

3

2

1

SPECIFICATION DWG



DIMENSIONS ARE IN INCHES AND AN APPROXIMATION OF A TYPICAL INSTALLATION

COPYRIGHT 2005 BRASSTECH, INC. THESE DRAWINGS AND THE DESIGNS DEPICTED HEREIN ARE THE PROPRIETARY PROPERTY OF BRASSTECH. ANY USE OR REPRODUCTION IS SUBJECT TO THE EXPRESS APPROVAL OF BRASSTECH. UNAUTHORIZED USE IS STRICTLY PROHIBITED. ALL RIGHTS RESERVED.

BRASSTECH		2001 E. CARNEGIE AVE.
INCORPORATED		SANTA ANA, CA 92705
		(949) 417-5207
DWG NO.	499-1	REV -
SCALE .500	REF. -	SHEET 2 OF 2