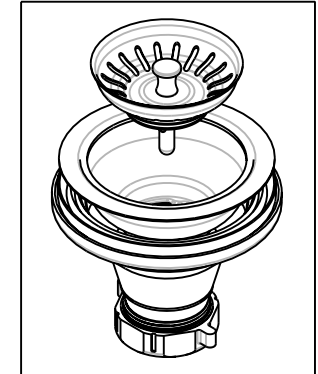
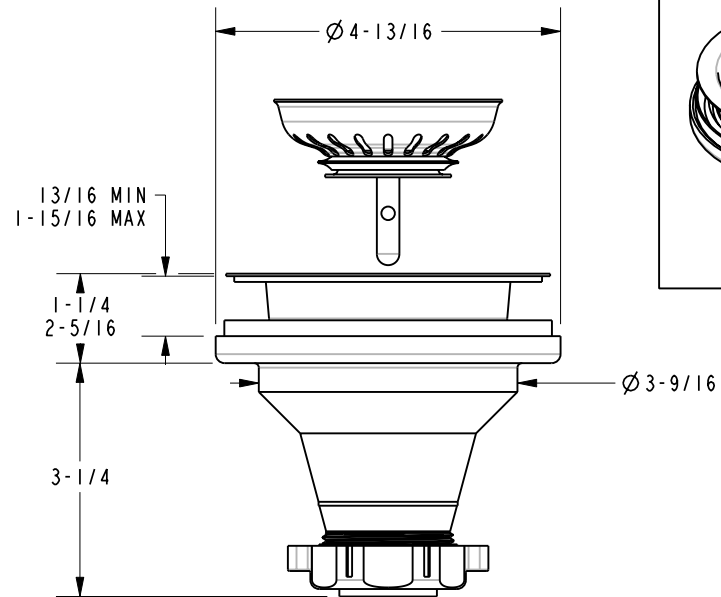
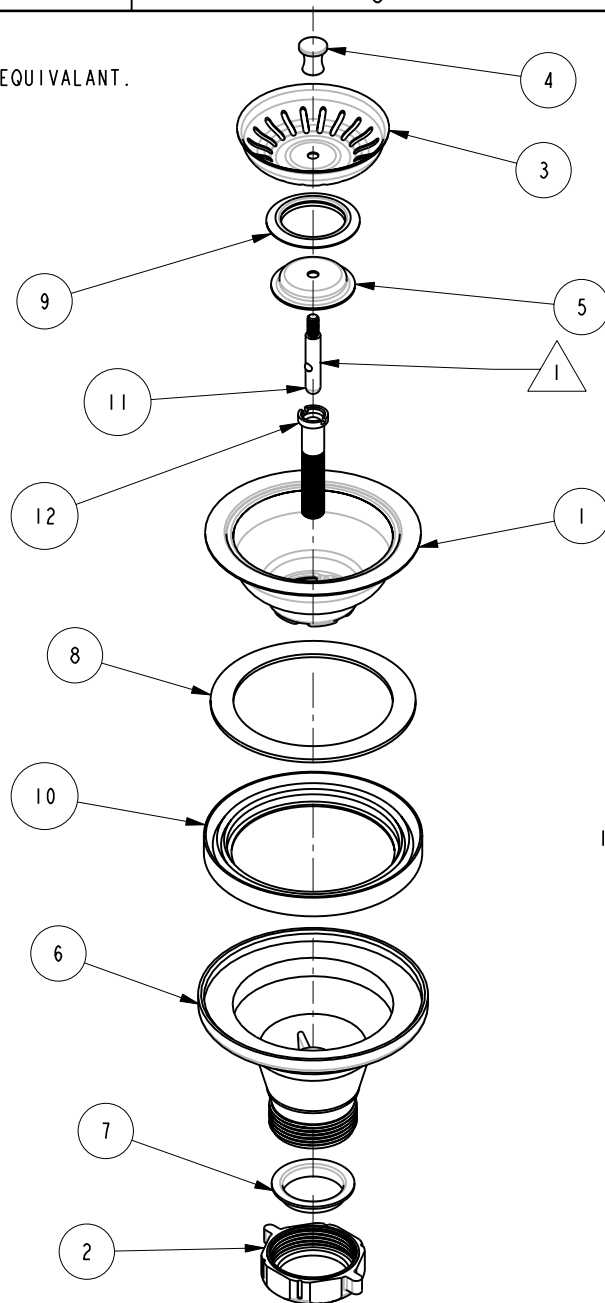


NOTES:
 1 APPLY LOCTITE 680 OR EQUIVALANT.

BILL OF MATERIAL (CURRENT LEVEL)

ITEM	PT/ASSY	DESCRIPTION	TYPE	QTY.
1	50090	DRAIN BASKET BODY	PART	1
2	50093	LOCKNUT / 1-1/2 PLS	PART	1
3	50095	DRAIN BASKET	PART	1
4	50096	POP-UP KNOB	PART	1
5	50098	FLANGE STOPPER	PART	1
6	50602	FLANGE HOUSING	PART	1
7	91127	WASHER-PLASTIC	PART	1
8	91128	FOAM GASKET	PART	1
9	91129	GASKET-STOPPER	PART	1
10	91131	GASKET FOR HOUSING	PART	1
11	5-023	POST ASM	ASSEMBLY	1
12	50601-3	BOLT THRU HOLE 2.41"	PART	1



COPYRIGHT 2005 BRASSTECH, INC. THESE DRAWINGS AND THE DESIGNS DEPICTED HEREIN ARE THE PROPRIETARY PROPERTY OF BRASSTECH. ANY USE OR REPRODUCTION IS SUBJECT TO THE EXPRESS APPROVAL OF BRASSTECH. UNAUTHORIZED USE IS STRICTLY PROHIBITED. ALL RIGHTS RESERVED.

BRASSTECH
 INCORPORATED
 2001 E. CARNEGIE AVE.
 SANTA ANA, CA 92705
 (949) 417-5207

BASKET STRAINER ASSY - BRASS

ASSY. NO.	122LS	-	-	-
SCALE	0.250	REF.	-	SHEET 1 OF 1
REV	-	REV DESC	RELEASED	DATE 02/14/02