



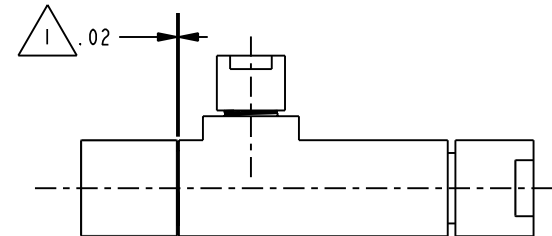
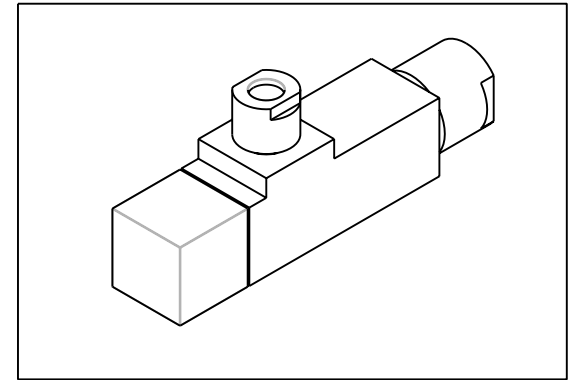
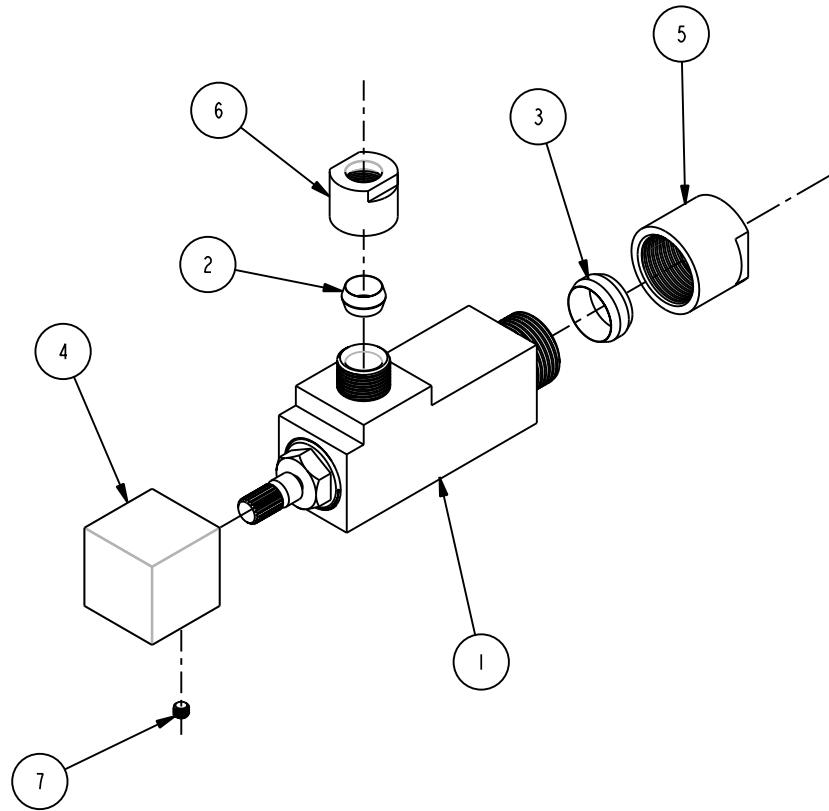
CLEARANCE GAP AFTER INSTALLATION



SET SCREW (ITEM 7) LOCATION FACING DOWNWARD WHEN VALVE OPENED

BILL OF MATERIAL (CURRENT LEVEL)

ITEM	PT/ASSY	DESCRIPTION	TYPE	QTY.
1	6-031	BODY ASSY, ANGLE, SQUARE	ASSEMBLY	1
2	50359	COMPRESSION RING	PART	1
3	50362	COMPRESSION RING	PART	1
4	50731	SQUARE HANDLE	PART	1
5	50741	NUT, 13/16-18 UNS-2B THREAD	PART	1
6	50742	NUT, 9/16-24 UNEF-2B THREAD	PART	1
7	92000	SCREW 8 - 32 X 1/8 SS	PART	1



COPYRIGHT 2003 BRASSTECH, INC. THESE DRAWINGS AND THE DESIGNS DEPICTED HEREIN ARE THE PROPRIETARY PROPERTY OF BRASSTECH. ANY USE OR REPRODUCTION IS SUBJECT TO THE EXPRESS APPROVAL OF BRASSTECH. UNAUTHORIZED USE IS STRICTLY PROHIBITED. ALL RIGHTS RESERVED.

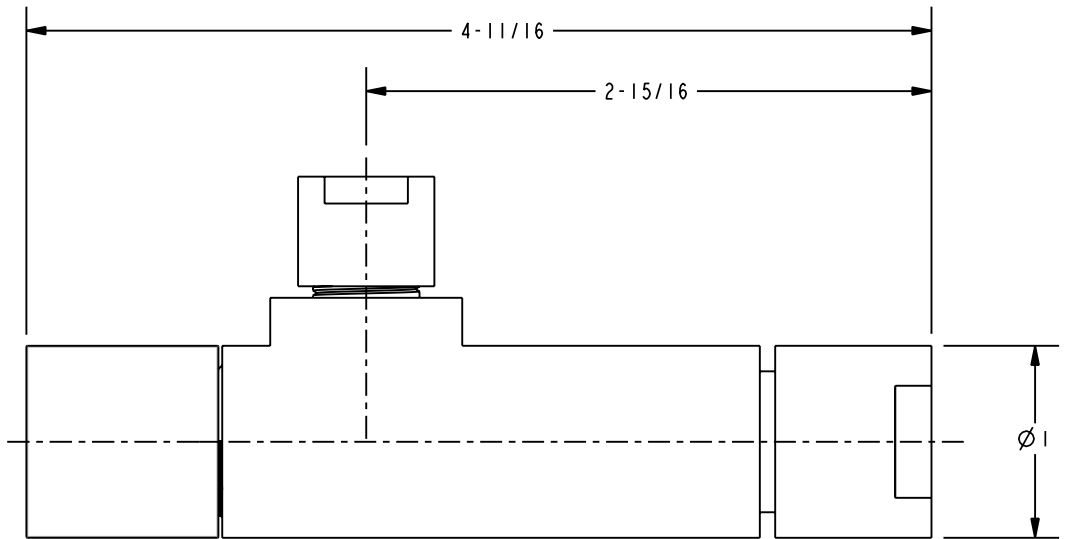
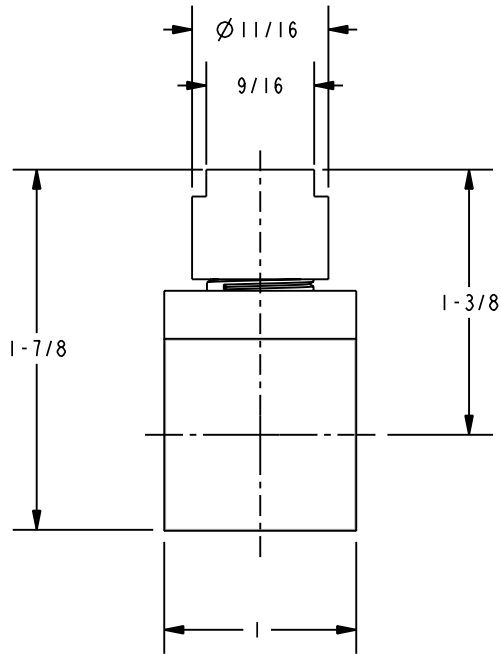
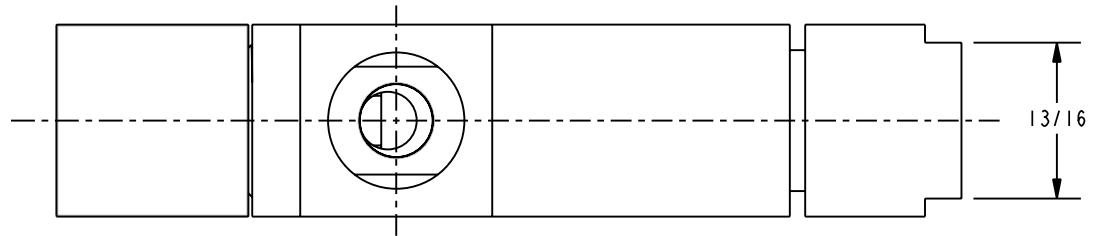
BRASSTECH
INCORPORATED

2001 E. CARNEGIE AVE.
SANTA ANA, CA 92705
(949) 417-5207

ANGLE VALVE, SQUARE HANDLE, CONTEMP.
1/2" TUBE INLET, 3/8" TUBE OUTLET

ASSY. NO.		403-3			
SCALE .500	REF. -	SHEET 1 OF 2	REV	REV DESC	DATE
			-	EO-0392	07/20/04

SPECIFICATION DWG



DIMENSIONS ARE IN INCHES AND AN APPROXIMATION OF A TYPICAL INSTALLATION

COPYRIGHT 2004 BRASSTECH, INC. THESE DRAWINGS AND THE DESIGNS DEPICTED HEREIN ARE THE PROPRIETARY PROPERTY OF BRASSTECH. ANY USE OR REPRODUCTION IS SUBJECT TO THE EXPRESS APPROVAL OF BRASSTECH. UNAUTHORIZED USE IS STRICTLY PROHIBITED. ALL RIGHTS RESERVED.

BRASSTECH		2001 E. CARNEGIE AVE.	
INCORPORATED		SANTA ANA, CA 92705	
		(949) 417-5207	
DWG NO.	403-3	REV	-
SCALE	1,000	REF.	-
		SHEET	2 OF 2