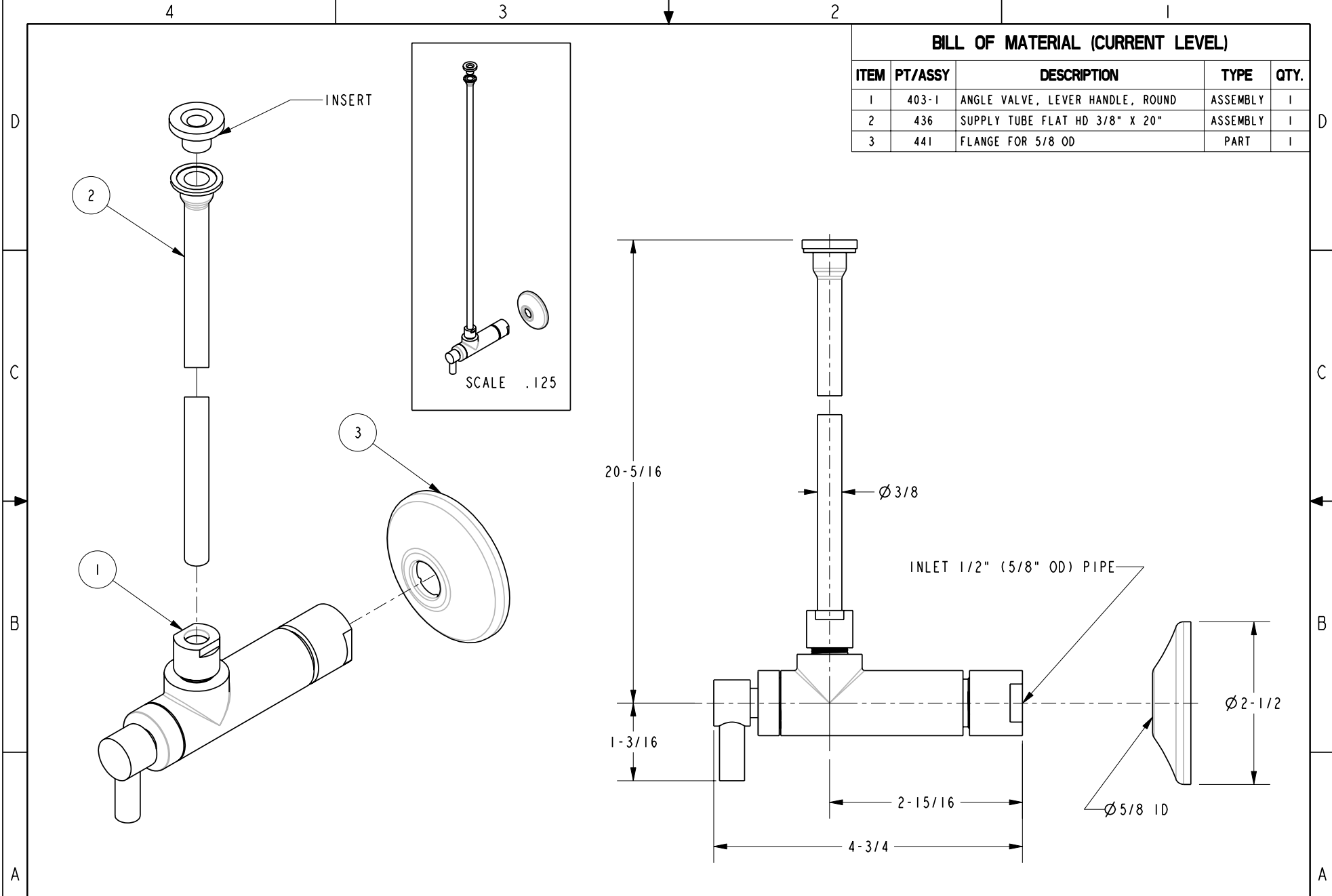


BILL OF MATERIAL (CURRENT LEVEL)				
ITEM	PT/ASSY	DESCRIPTION	TYPE	QTY.
1	403-1	ANGLE VALVE, LEVER HANDLE, ROUND	ASSEMBLY	1
2	436	SUPPLY TUBE FLAT HD 3/8" X 20"	ASSEMBLY	1
3	441	FLANGE FOR 5/8 OD	PART	1



COPYRIGHT 2005 BRASSTECH, INC. THESE DRAWINGS AND THE DESIGNS DEPICTED HEREIN ARE THE PROPRIETARY PROPERTY OF BRASSTECH. ANY USE OR REPRODUCTION IS SUBJECT TO THE EXPRESS APPROVAL OF BRASSTECH. UNAUTHORIZED USE IS STRICTLY PROHIBITED. ALL RIGHTS RESERVED.

BRASSTECH 2001 E. CARNEGIE AVE. SANTA ANA, CA 92705 (949) 417-5207

SUPPLY KIT 1/2CMP 3/8X20" FLATHEAD RISER

ASSY. NO. 482-1

SCALE .500 REF. SHEET 1 OF 1 REV REV DESC DATE