

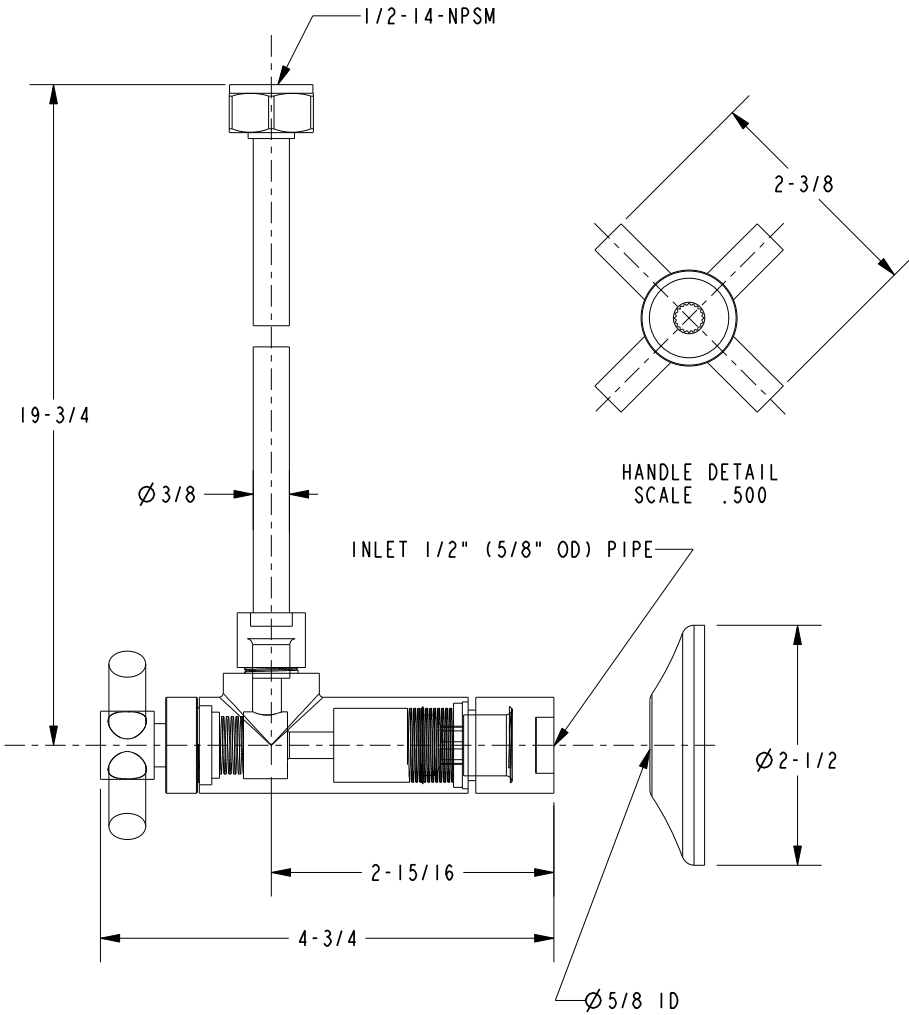
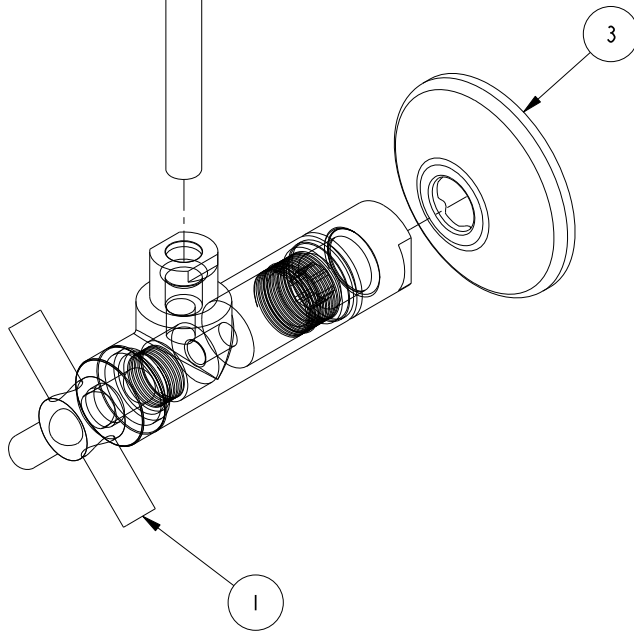
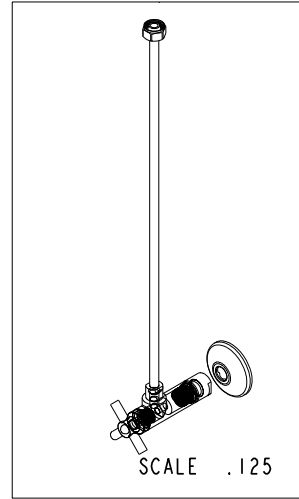
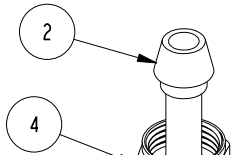
4

3

2

BILL OF MATERIAL (CURRENT LEVEL)

ITEM	PT/ASSY	DESCRIPTION	TYPE	QTY.
1	403X-1	ANGLE VALVE, CROSS CONTEMP.	ASSEMBLY	1
2	432	BULLNOSE TUBE 3/8 X 20	PART	1
3	441	GRIP FLANGE (441)	PART	1
4	1-257	COUPLING NUT KIT	ASSEMBLY	1



COPYRIGHT 2005 BRASSTECH, INC. THESE DRAWINGS AND THE DESIGNS DEPICTED HEREIN ARE THE PROPRIETARY PROPERTY OF BRASSTECH. ANY USE OR REPRODUCTION IS SUBJECT TO THE EXPRESS APPROVAL OF BRASSTECH. UNAUTHORIZED USE IS STRICTLY PROHIBITED. ALL RIGHTS RESERVED.

BRASSTECH
 INCORPORATED
 2001 E. CARNEGIE AVE.
 SANTA ANA, CA 92705
 (949) 417-5207

SUPPLY KIT 1/2CMP 3/8X20" BULLNOSE RISER

ASSY. NO.	493X-1		
SCALE	REF.	SHEET	OF
.500	-	1	1
REV	REV DESC	DATE	
A	EN-1919	10/11/11	
-	EO-0735	4/19/07	

4

3

2

1