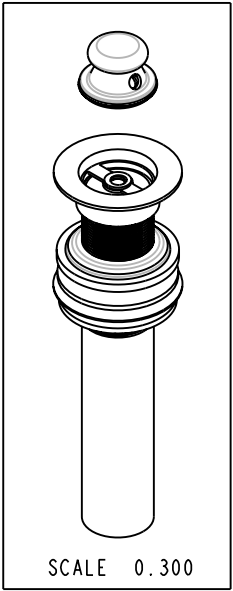


BILL OF MATERIAL (CURRENT LEVEL)				
ITEM	PT/ASSY	DESCRIPTION	TYPE	QTY.
1	50333	FLANGE (320)	PART	1
2	10209	MNT'G NUT - DRAIN FL	PART	1
3	91195	O-RING - 2MM X 28MM	PART	1
4	50334	POST (320)	PART	1
5	92072	SCREW - BRS PAN HD	PART	1
6	50332	STOPPER (320)	PART	1
7	50460	TAILPIECE FOR DRAIN ASSY	PART	1
8	50029	WASHER	PART	1
9	91197	WASHER - 1-1/4 MOLDED	PART	1
10	91196	WASHER - 1-1/4 X .094	PART	1



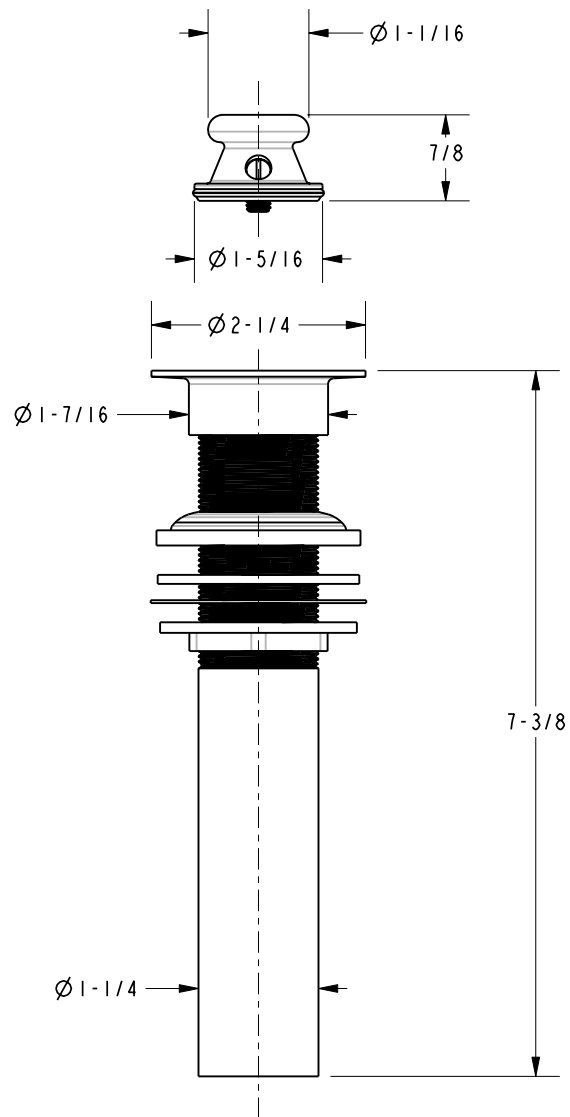
COPYRIGHT 2005 BRASSTECH, INC. THESE DRAWINGS AND THE DESIGNS DEPICTED HEREIN ARE THE PROPRIETARY PROPERTY OF BRASSTECH. ANY USE OR REPRODUCTION IS SUBJECT TO THE EXPRESS APPROVAL OF BRASSTECH. UNAUTHORIZED USE IS STRICTLY PROHIBITED. ALL RIGHTS RESERVED.

**BRASSTECH**  
INCORPORATED  
2001 E. CARNEGIE AVE.  
SANTA ANA, CA 92705  
(949) 417-5207

DRAIN - LIFT & TURN NO OVRFLW

ASSY. NO.	3201		A	EO-0646	1/30/06
SCALE 0.350	REF. -	SHEET 1 OF 2	-	RELEASED	PRE '95
			REV	REV DESC	DATE

**SPECIFICATION DWG**



DIMENSIONS ARE IN INCHES AND AN APPROXIMATION OF A TYPICAL INSTALLATION

COPYRIGHT 2005 BRASSTECH, INC. THESE DRAWINGS AND THE DESIGNS DEPICTED HEREIN ARE THE PROPRIETARY PROPERTY OF BRASSTECH. ANY USE OR REPRODUCTION IS SUBJECT TO THE EXPRESS APPROVAL OF BRASSTECH. UNAUTHORIZED USE IS STRICTLY PROHIBITED. ALL RIGHTS RESERVED.

<b>BRASSTECH</b>		2001 E. CARNEGIE AVE.	
INCORPORATED		SANTA ANA, CA 92705	
		(949) 417-5207	
DWG NO.	3201	REV	A
SCALE	0.500	REF.	-
		SHEET	2 OF 2