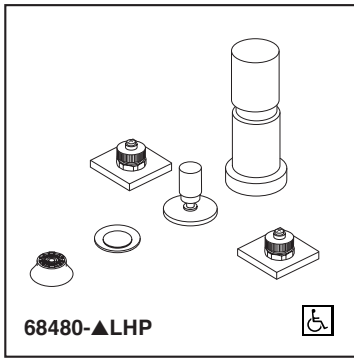


# BRIZO®

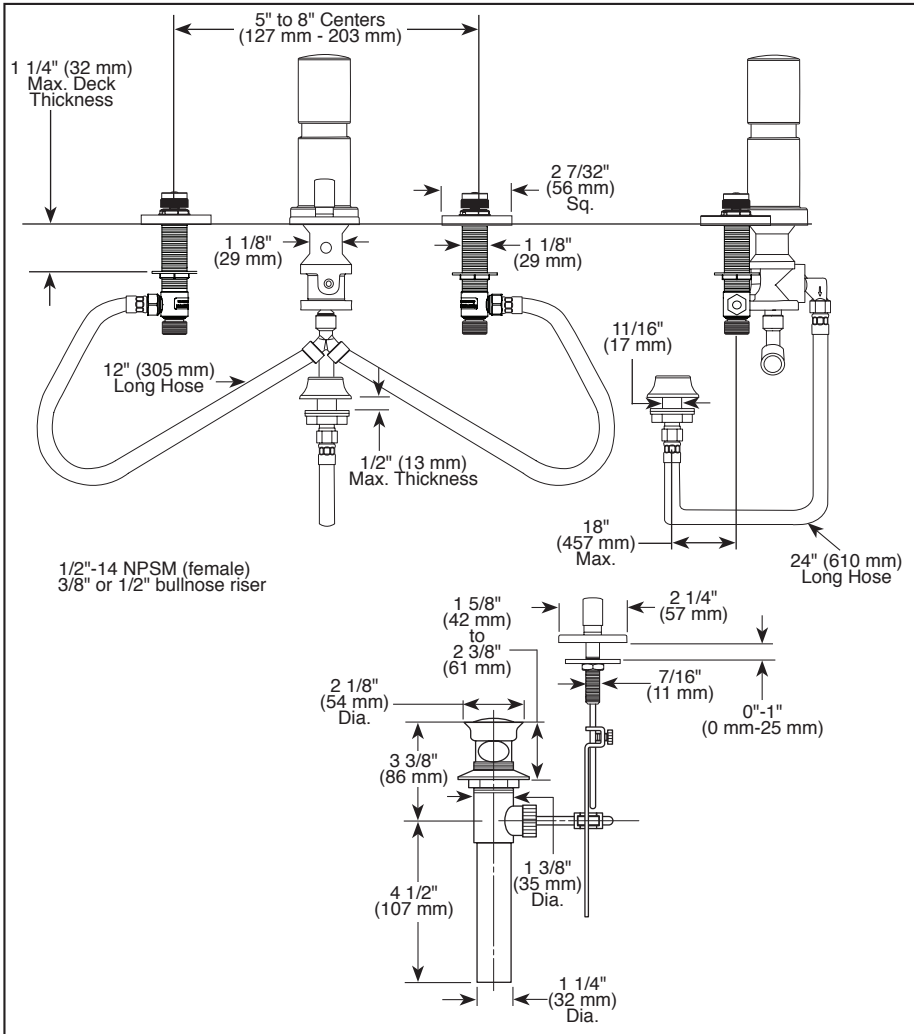
## BIDET FAUCET

- Siderna® Two Handle
- 4 Hole Applications
- 5" to 8" Centers
- Diverter with Integral Vacuum Breaker



Submitted Model No.: \_\_\_\_\_

Specific Features: \_\_\_\_\_



### STANDARD SPECIFICATIONS:

- Three handle bidet faucet for exposed mounting on 4 hole applications.
- Widespread 5" to 8" centers.
- Control mechanism shall be of the rotating ceramic cylinder type with 90° (1/4 turn) rotation.
- Metal drain has pop-up type fitting with plated flange and stopper.
- Diverter with integral vacuum breaker.
- Directional handle for rim flush or rosette spray douche.
- Handles attach to end valves by use of magnets inside handles. No set screw required.
- Handles sold separately.

### WARRANTY

- Lifetime limited warranty on parts (other than electronic parts and batteries) and finishes; or, for commercial users, for 5 years from date of purchase.
- 5 year limited warranty on electronic parts (other than batteries); or, for commercial users, for 1 year from the date of purchase. No warranty is provided on batteries.

<p><b>HL5380▲</b> (Metal Inserts)</p>	<p><b>HL5381▲</b> (Green Glass Inserts)</p>	<p><b>HL5382▲</b> (Solar Gray Glass Inserts)</p>
---	---	--

▲ Designate proper finish suffix

Brizo Kitchen & Bath Company reserves the right (1) to make changes in specifications and materials, and (2) to change or discontinue models, both without notice or obligation. Dimensions are for reference only. See current full-line price book or [www.brizo.com](http://www.brizo.com) for finish options and product availability.

BSP-S-68480-LHP Rev. D

### COMPLIES WITH:

- ANSI/ASME A112.18.1 / CSA B125.1
- ANSI/ASME A112.18.2 / CSA B125.2

Indicates compliance to ICC/ANSI A117.1

Brizo Kitchen & Bath Company  
Indianapolis, Indiana 46280  
A Division of Masco Corporation of Indiana  
© 2015 Brizo Kitchen & Bath Company