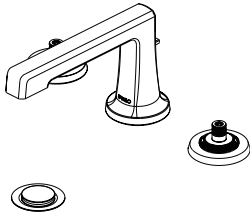
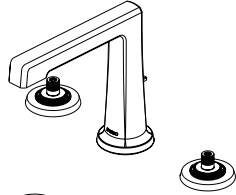


STANDARD SPOUT



65397LF-▲LHP
65397LF-▲LHP-ECO

HIGH SPOUT



65398LF-▲LHP
65398LF-▲LHP-ECO

BRIZO®

LAVATORY FAUCETS

- Levoir™ Collection
- Two Handle Widespread Deck Mount

FEATURES:

- Handles attach to end valves by use of magnets. No set screw required

STANDARD SPECIFICATIONS:

- Maximum 1.5 gpm @ 60 psi, 5.7 L/min @ 414 kPa
- Maximum [ECO models only] 1.2 gpm @ 60 psi, 4.5 L/min @ 414 kPa
- Three hole mount
- Control mechanism is a rotating cylinder ceramic cartridge with 90° rotation
- 1/2-14 NPSM threaded inlets
- Metal drain with pop-up type fitting features plated flange and stopper
- Solid brass fabricated end valve and spout bodies
- Spout features laminar water flow
- Handles sold separately

WARRANTY

- Lifetime limited warranty on parts (other than electronic parts and batteries) and finishes: or, for commercial users, for 5 years from date of purchase.
- 5 year limited warranty on electronic parts (other than batteries); or, for commercial users, for 1 year from the date of purchase. No warranty is provided on batteries.

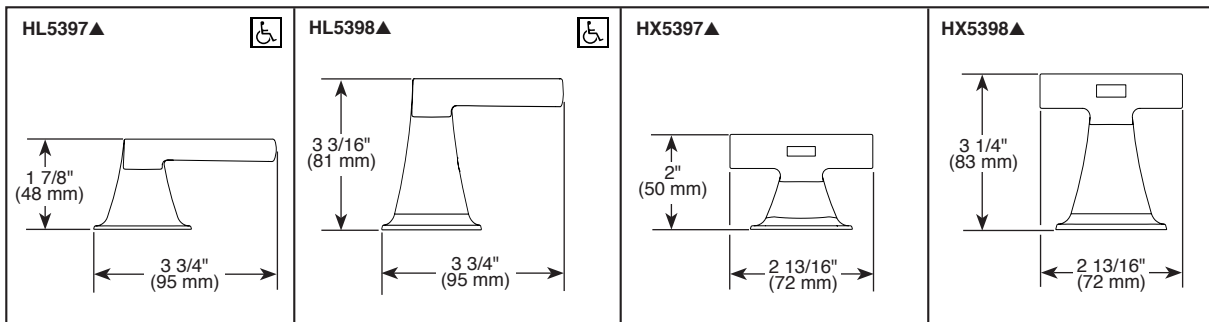
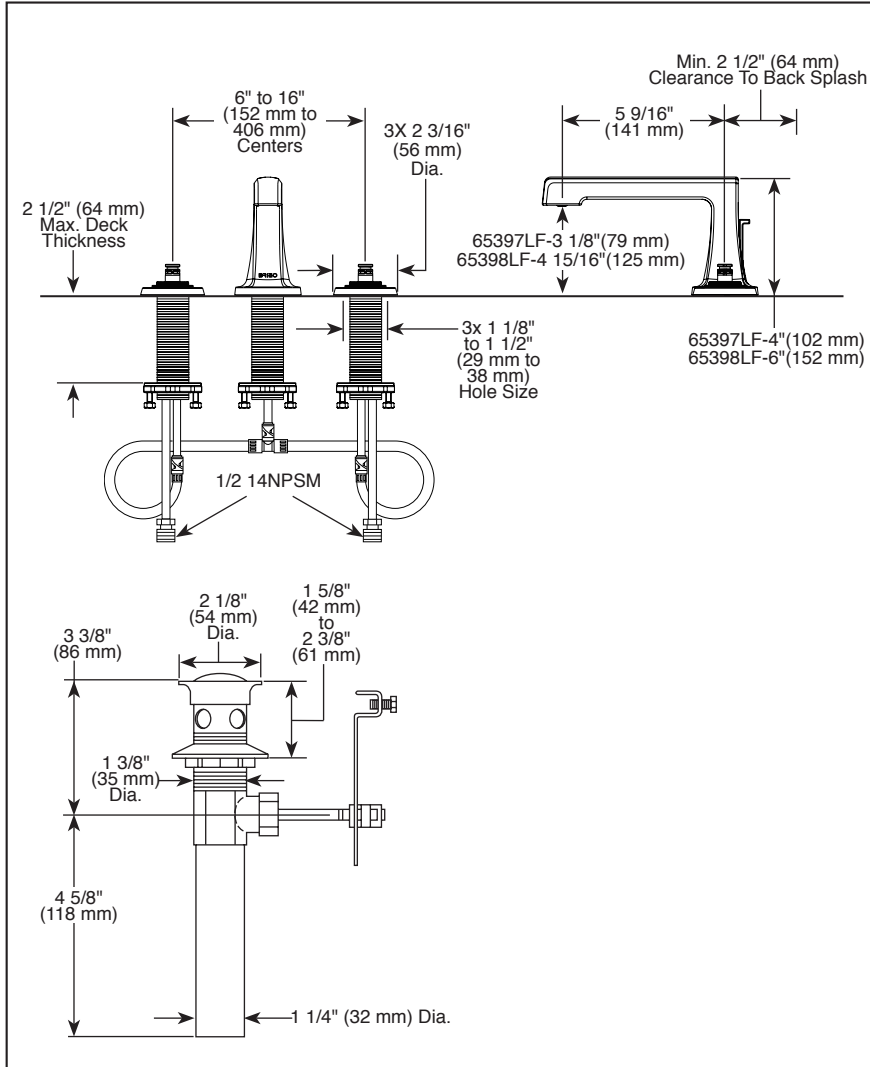


COMPLIES WITH:

- ASME A112.18.1 / CSA B125.1
- ASME A112.18.2 / CSA B125.2
- ♿ Indicates compliance to ICC/ANSI A117.1
- EPA WaterSense®
- Verified compliant with .25% weighted average Pb content regulations

Submitted Model No.: _____

Specific Features: _____



▲ Designate Proper Finish Suffix

Brizo Kitchen & Bath Company reserves the right (1) to make changes in specifications and materials, and (2) to change or discontinue models, both without notice or obligation. Dimensions are for reference only. See current full-line price book or www.brizo.com for finish options and product availability.

BSP-L-65397LF-LHP Rev. A

Brizo Kitchen & Bath Company

55 E. 111th Street, Indianapolis, Indiana 46280
350 South Edgeware Road, St. Thomas, ON N5P 4L1
© 2018 Brizo Kitchen & Bath Company