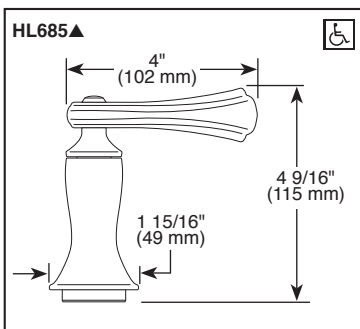
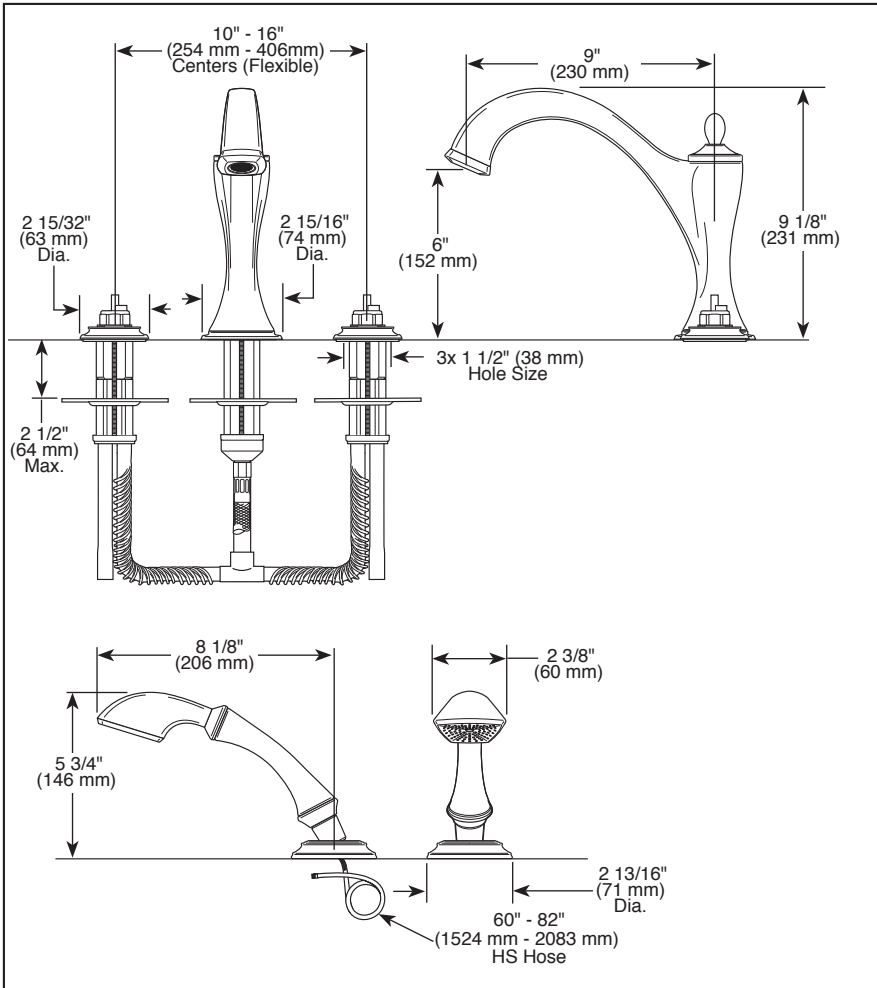


Submitted Model No.: \_\_\_\_\_

Specific Features: \_\_\_\_\_



▲ Designate proper finish suffix

# BRIZO®

## ROMAN TUB/WHIRLPOOL FAUCET TRIM

- Charlotte™ Two Handle Roman Tub Trim
- Three Hole Applications (T67385-LHP)
- Four Hole Applications (T67485-LHP)
- Temperature and Volume Controlled With Handles
- Flexible Ledge Mount
- Rough-In Kit Must Also be Ordered to Complete Installation (R62707 For Three Hole and R64707 For Four Hole)

### STANDARD SPECIFICATIONS:

- Trim Only for two handle Roman Tub faucet for concealed mounting
- Temperature and volume controlled with handles.
- Rough-in kit must also be ordered to complete installation (R62707 for three hole and R64707 for four hole). There are separate specification sheets on each rough-in kit if more details are required.
- Hand shower includes double check valves for backflow prevention (T67490-LHP)
- Hand shower max flow rate 1.75 gpm @ 80 psi, 6.6 L/min @ 550 kPa
- Minimum 5" (127 mm) to maximum 8" (203 mm) distance between holes
- LHP - Less Handle Program. See handle options below

### WARRANTY

- Parts and Finish - Lifetime limited warranty; or for commercial purchasers, 10 years for multi-family residential (apartments and condominiums) and 5 years for all other commercial uses, in each case from the date of purchase.
- Electronic Parts and Batteries (if applicable) - 5 years from the date of purchase; or for commercial purchasers, 1 year from the date of purchase. No warranty is provided on batteries.



### COMPLIES WITH:

- ASME A112.18.1 / CSA B125.1
- ☑ Indicates compliance to ICC/ANSI A117.1 - Valve control only
- EPA WaterSense® - Applies to T67485-LHP only