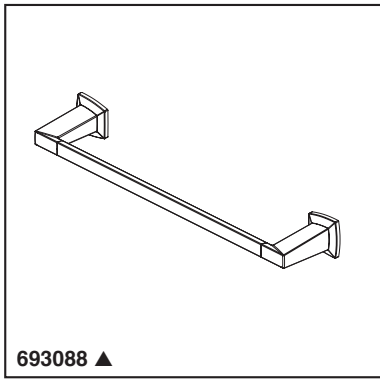


# BRIZO®

## ACCESSORIES

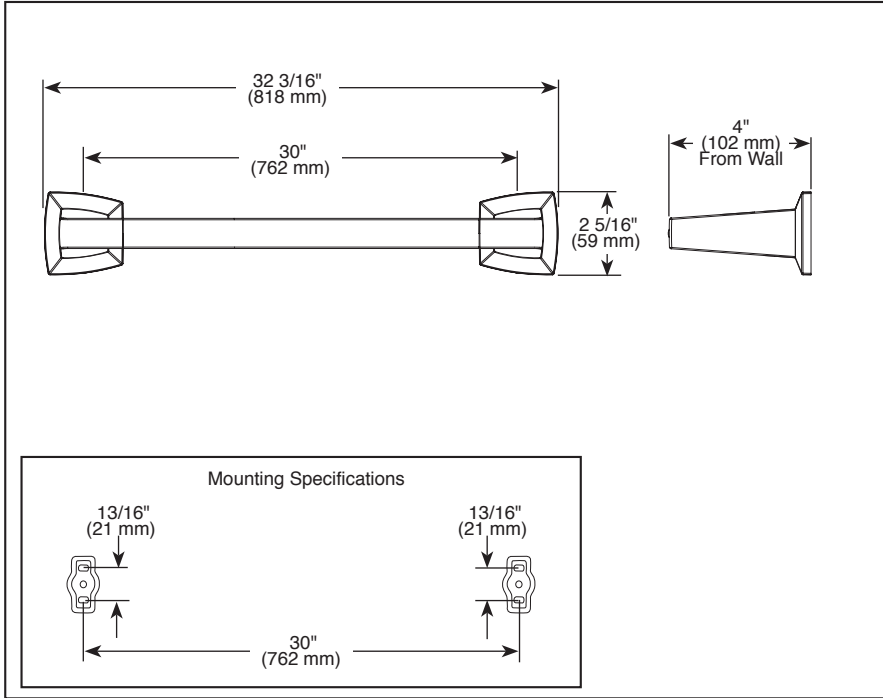
- Vettis™ Collection
- 30" Towel Bar



693088 ▲

Submitted Model No.: \_\_\_\_\_

Specific Features: \_\_\_\_\_



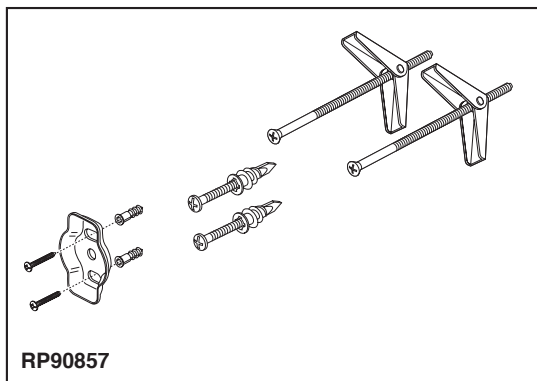
### STANDARD SPECIFICATIONS:

- Wood blocking is preferable behind all wall surfaces. If wood blocking is not available, try finding a wood stud to anchor at least one end of this accessory.
- Mounting hardware and mounting instructions included with product.
- Plastic anchors, screws, toggle bolts, and mounting brackets are included with the mounting hardware.

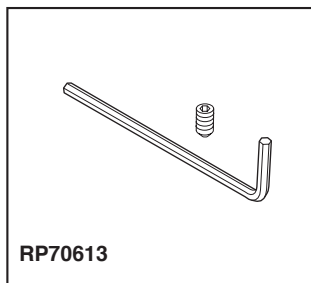
### WARRANTY

- Lifetime limited warranty on parts (other than electronic parts and batteries) and finishes: or, for commercial users, for 5 years from date of purchase.
- 5 year limited warranty on electronic parts (other than batteries); or, for commercial users, for 1 year from the date of purchase. No warranty is provided on batteries.

▲ Designate proper finish suffix



RP90857



RP70613