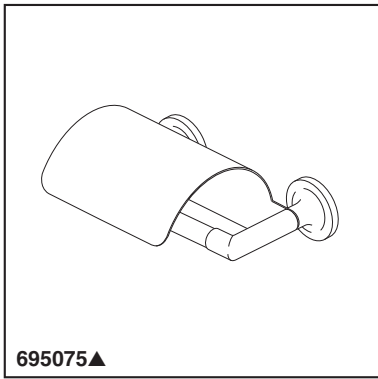


BRIZO®

ACCESSORIES

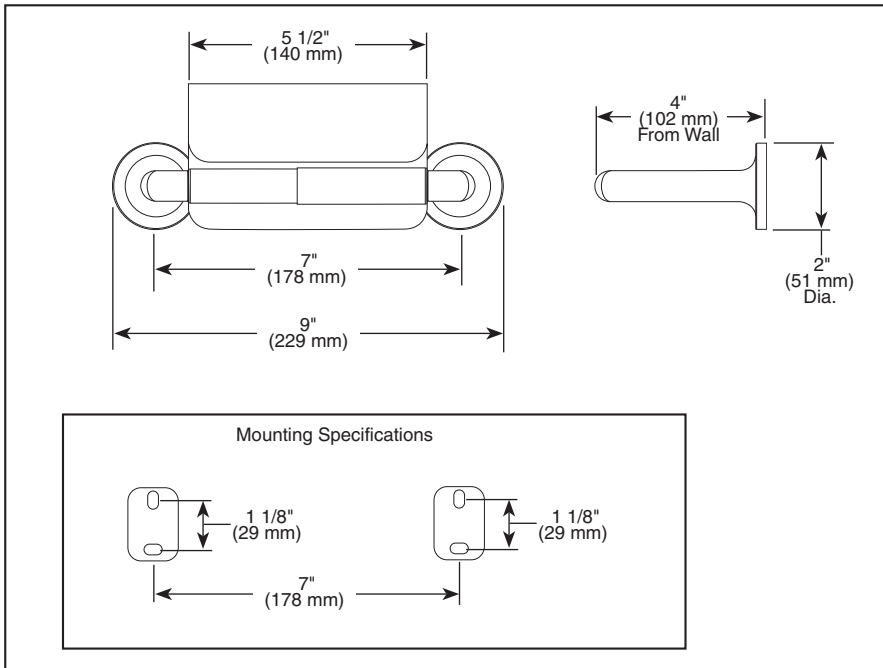
- Odin™ Bath Collection
- Covered Tissue Holder



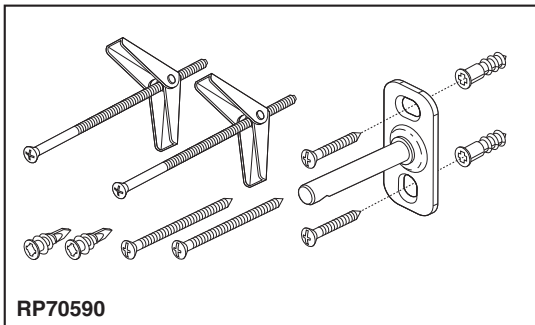
695075▲

Submitted Model No.: _____

Specific Features: _____



▲ Designate proper finish suffix



RP70590

Note: RP includes parts for 2 sides

STANDARD SPECIFICATIONS:

- Wood blocking is preferable behind all wall surfaces. If wood blocking is not available, try finding a wood stud to anchor at least one end of this accessory.
- Mounting hardware and mounting instructions included with product.
- Cover is removable.
- Note: Plastic anchors, screw, toggle bolts, and mounting brackets are included with the mounting hardware.

WARRANTY

- Lifetime Faucet and Finish Limited Warranty to the original consumer purchaser to be free from defects in material and workmanship.
- 5 Year Limited Warranty for usage in all industrial, commercial and business applications.

Delta reserves the right (1) to make changes in specifications and materials, and (2) to change or discontinue models, both without notice or obligation. Dimensions are for reference only. See current full-line price book or www.brizo.com for finish options and product availability.

BSP-A-695075 Rev. A

Delta Faucet Company
 Indianapolis, Indiana 46280
 A Division of Masco Corporation of Indiana
 © 2012 Masco Corporation of Indiana