

BRIZO®

LAVATORY FAUCETS

- Virage® Bath Collection
- Two Handle Wall-Mounted Lavatory

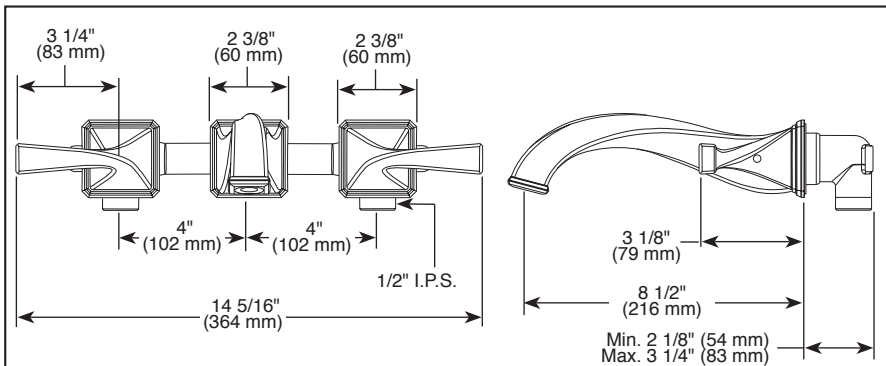
STANDARD SPECIFICATIONS:

- Maximum 1.50 gpm @ 60 psi, 5.70 L/min @ 414 kPa
- Maximum (ECO models only) 1.20 gpm @ 60 psi, 4.54 L/min @ 414 kPa
- Three hole mount
- Control mechanism shall be of the rotating ceramic cylinder type with 90° (1/4 turn) rotation
- Recommend 1 1/2" hole size
- Metal grid strainer with overflow (RP72412) included



Submitted Model No.: _____

Specific Features: _____



WARRANTY

- Lifetime limited warranty on parts (other than electronic parts and batteries) and finishes: or, for commercial users, for 5 years from date of purchase.
- 5 year limited warranty on electronic parts (other than batteries); or, for commercial users, for 1 year from the date of purchase. No warranty is provided on batteries.



<p>RP72411▲ Grid Strainer Drain less overflow holes</p>	<p>RP72413▲ Push Button Drain less overflow holes</p> <p>2 3/4" (70 mm) Dia.</p>	<p>RP81627▲ Push Button Drain less overflow holes</p> <p>1 5/8" (41 mm) Dia.</p>
<p>RP72412▲ Grid Strainer Drain (Included) with overflow holes</p>	<p>RP72414▲ Push Button Drain with overflow holes</p> <p>2 3/4" (70 mm) Dia.</p>	<p>RP81628▲ Push Button Drain with overflow holes</p> <p>1 5/8" (41 mm) Dia.</p>

▲ Designate Proper Finish Suffix

COMPLIES WITH:

- ASME A112.18.1 / CSA B125.1
- ASME A112.18.2 / CSA B125.2
- Indicates compliance to ICC/ANSI A117.1
- Verified compliant with .25% weighted average Pb content regulations.
- EPA WaterSense®