

BRIZO®

LAVATORY FAUCETS

- Levoir™ Bath Collection
- Two Handle Wall-Mount

STANDARD SPECIFICATIONS:

- Maximum 1.5 gpm @ 60 psi, 5.7 L/min @ 414 kPa
- Maximum (ECO models only) 1.2 gpm @ 60 psi, 4.5 L/min @ 414 kPa
- Three hole mount
- Control mechanism is a rotating cylinder ceramic cartridge with 90° rotation
- Drain sold separately
- Must order handles separately. See handle options below.

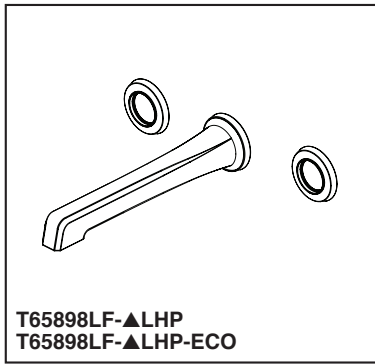
WARRANTY

- Lifetime limited warranty on parts (other than electronic parts and batteries) and finishes: or, for commercial users, for 5 years from date of purchase.
- 5 year limited warranty on electronic parts (other than batteries); or, for commercial users, for 1 year from the date of purchase. No warranty is provided on batteries.



COMPLIES WITH:

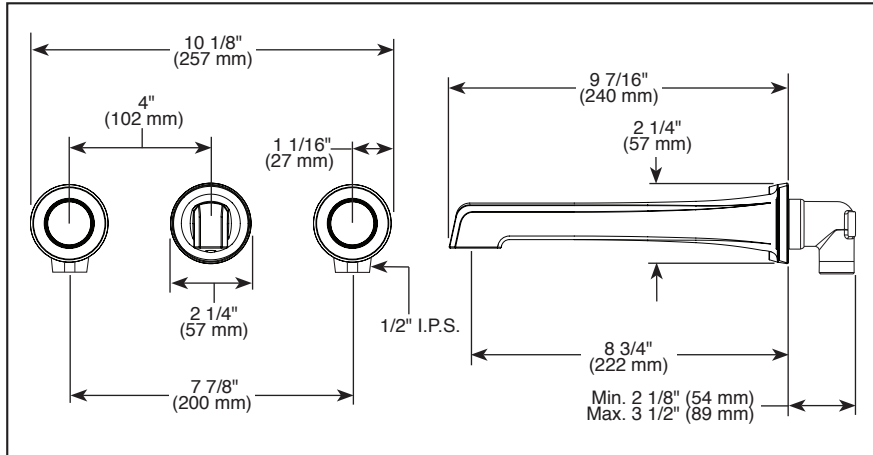
- ASME A112.18.1 / CSA B125.1
- ASME A112.18.2 / CSA B125.2
- Indicates compliance to ICC/ANSI A117.1
- EPA WaterSense®
- Verified compliant with .25% weighted average Pb content regulations.



T65898LF-▲LHP
T65898LF-▲LHP-ECO

Submitted Model No.: _____

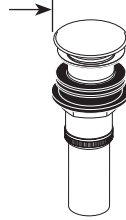
Specific Features: _____



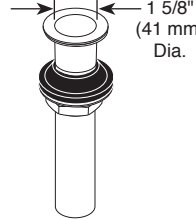
RP72411▲ Grid Strainer Drain less overflow holes



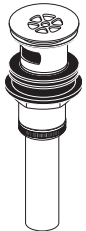
RP72413▲ Push Button Drain less overflow holes



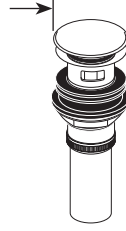
RP81627▲ Push Button Drain less overflow holes



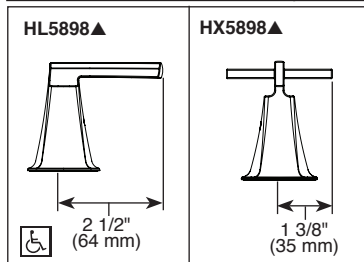
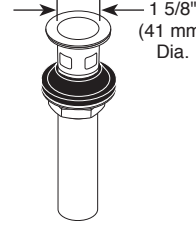
RP72412▲ Grid Strainer Drain with overflow holes



RP72414▲ Push Button Drain with overflow holes



RP81628▲ Push Button Drain with overflow holes



▲ Designate Proper Finish Suffix

Brizo Kitchen & Bath Company reserves the right (1) to make changes in specifications and materials, and (2) to change or discontinue models, both without notice or obligation. Dimensions are for reference only. See current full-line price book or www.brizo.com for finish options and product availability.

Brizo Kitchen & Bath Company

55 E. 111th Street, Indianapolis, Indiana 46280
350 South Edgeware Road, St. Thomas, ON N5P 4L1
© 2018 Brizo Kitchen & Bath Company