



#2107 Shown

## Traditional Cast Iron Bath

**#2102 | 68" L x 30" W x 24" H**  
310 lbs, 59.5 Gallons

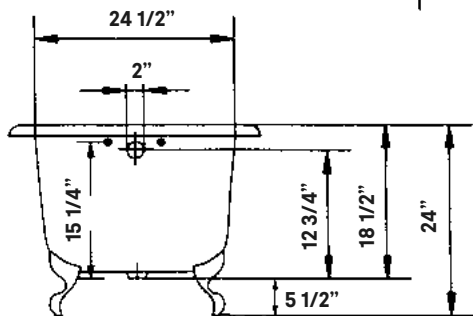
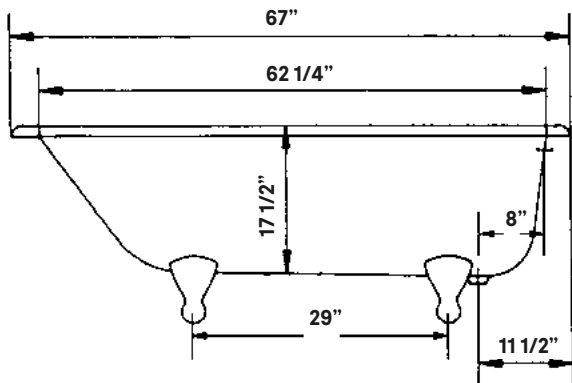
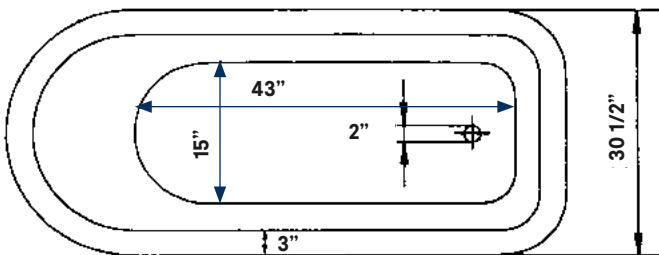
Cheviot Products' cast iron bathtubs are hand-made in Europe with the finest materials. Fired with a thick coating of AA grade titanium-based enamel for unparalleled hardness and non-porosity, the extremely durable surface is easy to clean and resistant to stains, bacteria and other microbes. Cast iron also keeps your bath warm for the longest possible time.

**Rim Configuration**  
3 3/8" c.c. Holes in  
Wall of Tub

**Colours**  
White Interior & Exterior  
White Interior & Custom  
Colour Exterior

**Feet**  
Available in Brass, Chrome,  
Brushed Nickel, Polished Nickel,  
Antique Bronze and White

**Note**  
Rough-in dimensions may vary +/-  
1/2" and are subject to change.  
No responsibility is assumed by  
Cheviot Products Inc.  
One Year Limited  
Warranty against  
manufacturer's defects.



### Related Products



**#3107 Tub Filler with  
Hand Shower**



**#3100 Tub Filler**



**#35576 Offset  
Water Supply Lines**



**#2222 Waste &  
Overflow**