



see what Delta can do™

## LAVATORY FAUCETS

- Stryke™ Collection
- Two Handle Widespread Deck Mount

### FEATURES:

- DIAMOND Seal® Technology

### STANDARD SPECIFICATIONS:

- Max. 1.20 gpm @ 60 psi, 4.54 L/min @ 414 kPa
- Three hole mount
- Solid brass fabricated end valve
- 1/4 turn stops
- Hot and cold stems are interchangeable
- Diamond coated ceramic cartridge
- 3/8" O.D. straight PEX supply tubes
- Models have metal drain with pop-up type fitting with plated flange and stopper

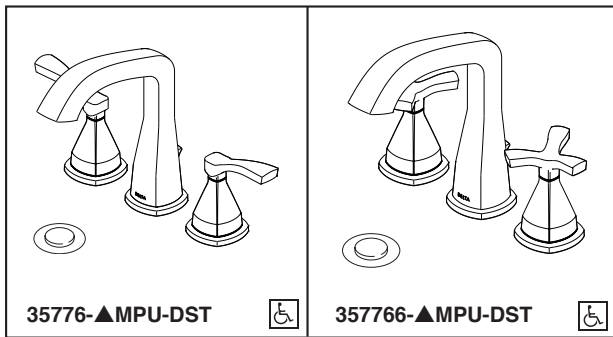
### WARRANTY

- Lifetime limited warranty on parts (other than electronic parts and batteries) and finishes: or, for commercial users, for 5 years from date of purchase.
- 5 year limited warranty on electronic parts (other than batteries); or, for commercial users, for 1 year from the date of purchase. No warranty is provided on batteries.

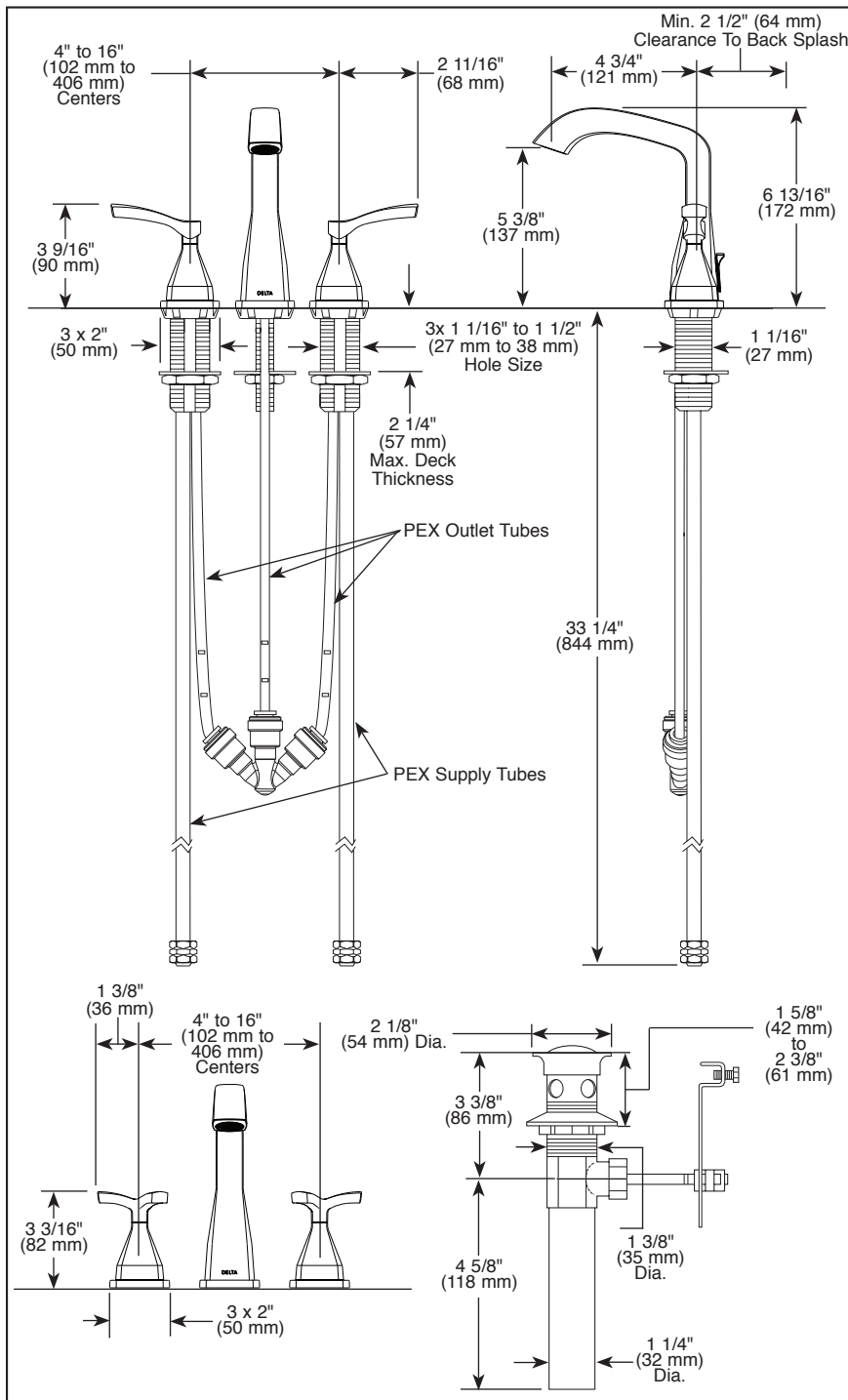


### COMPLETE VALVE COMPLIES WITH:

- ASME A112.18.1 / CSA B125.1
- ASME A112.18.2 / CSA B125.2
- Indicates compliance to ICC/ANSI A117.1
- EPA WaterSense



Submitted Model No.: \_\_\_\_\_  
 Specific Features: \_\_\_\_\_



### ▲ Designate proper finish suffix

Delta reserves the right (1) to make changes in specifications and materials, and (2) to change or discontinue models, both without notice or obligation. Dimensions are for reference only. See current full-line price book or www.deltafaucet.com for finish options and product availability.

### Delta Faucet Company

55 E. 111th Street, Indianapolis, IN 46280  
 350 South Edgeware Road, St. Thomas, ON N5P 4L1  
 © 2018 Delta Faucet Company