



WALL MOUNT POT FILLER

- Wall Mounted Pot Filler
- Single Hole Application
- Cold Water Only
- Volume Controlled With Handles

STANDARD SPECIFICATIONS:

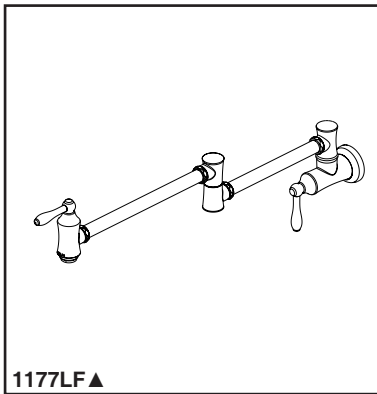
- 4.0 gpm @ 60 PSI, 15.1 L/min @ 414 kPa.
- Single hole wall mount.
- Dual handle design for easy operation.
- 24" dual jointed swing spout.
- Simple on/off control by rotating handle 90 (1/4 turn).
- 1" recommended hole size.
- Rough into 1/2" stub out.
- 1/2" I.P.S. inlets.
- Cold water connection only.
- Washerless ceramic valving.

WARRANTY

- Lifetime limited warranty on parts (other than electronic parts and batteries) and finishes; or, for commercial users, for 5 years from the date of purchase.
- 5 year limited warranty on electronic parts (other than batteries); or for commercial users, for 1 year from the date of purchase. No warranty is provided on batteries.

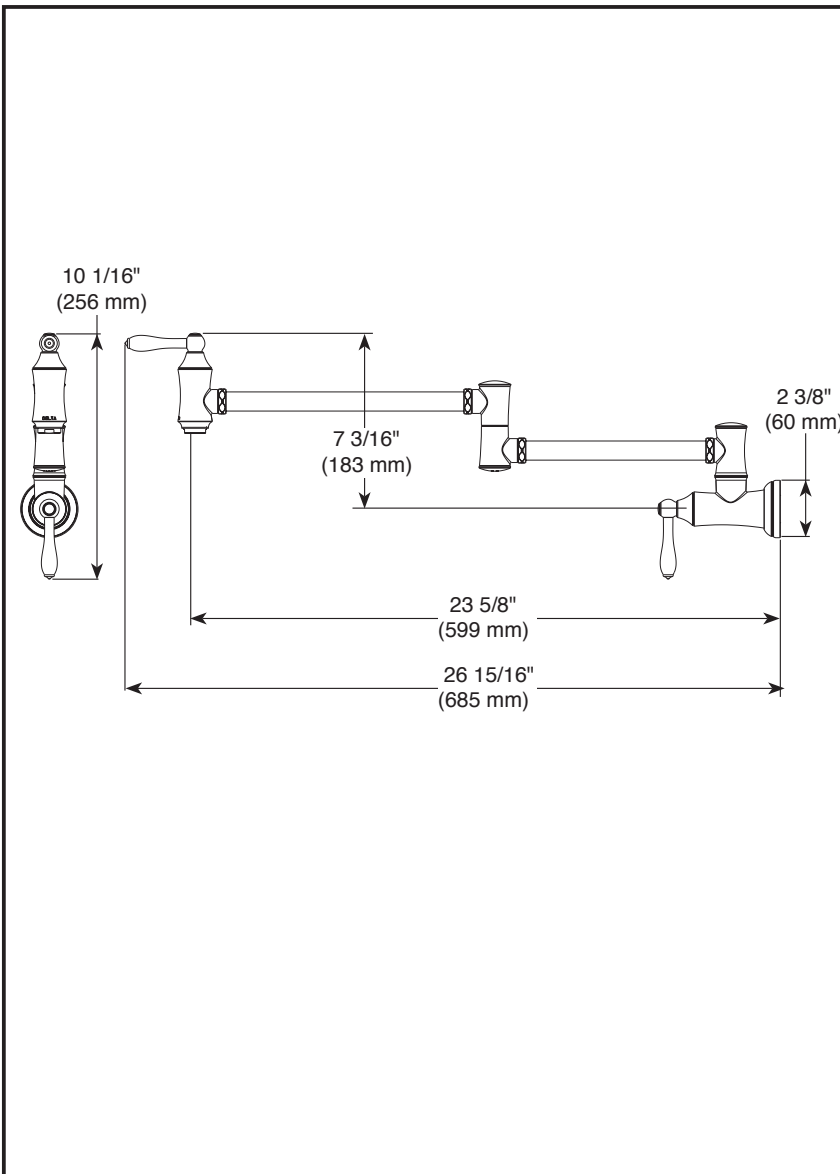
COMPLIES WITH

- ASME A112.18.1 / CSA B125.1
- Verified compliant with 0.25% weighted average Pb content regulations.



Submitted Model No.: _____

Specific Features: _____



▲ Designate proper finish suffix

Delta reserves the right (1) to make changes in specifications and materials, and (2) to change or discontinue models, both without notice or obligation. Dimensions are for reference only. See current full-line price book or www.deltafaucet.com for finish options and product availability.

DSP-K-1177LF Rev. E



55 E. 111th Street, Indianapolis, Indiana 46280
350 South Edgeware Road, St. Thomas, Ontario Canada N5P 4L1
© 2015 Masco Corporation of Indiana