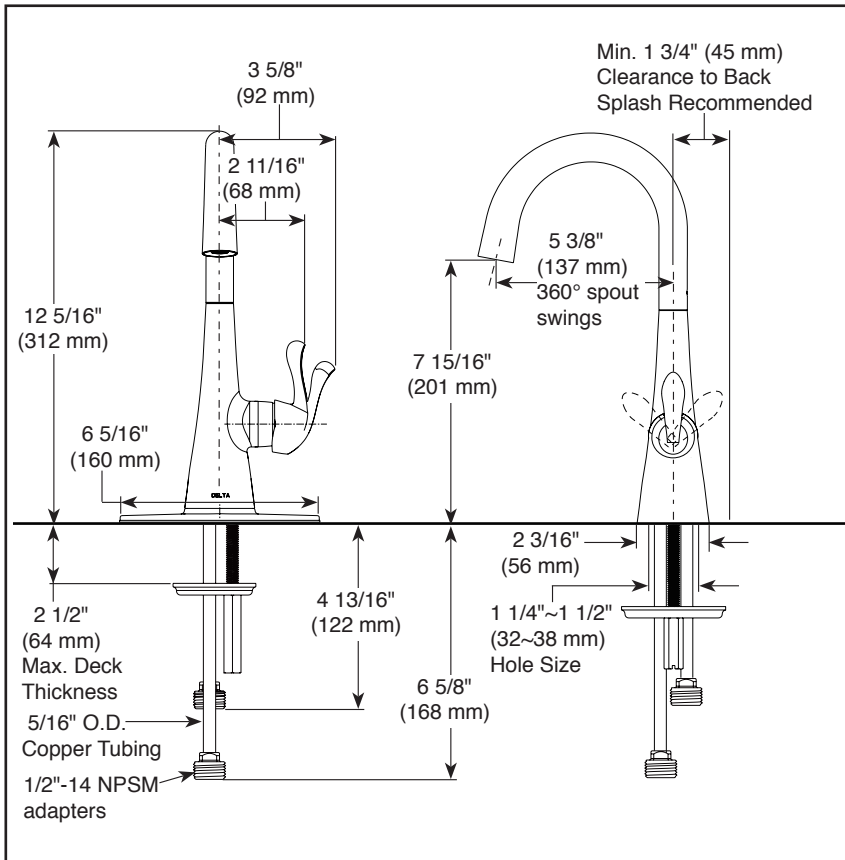


Submitted Model No.: _____

Specific Features: _____



▲ Designate proper finish suffix



BAR & PREP SINK FAUCETS

- Transitional
- Single Handle Deck Mount
- 1 or 3 Hole 4" Installation

STANDARD SPECIFICATIONS:

- Solid brass fabricated body.
- 360° Rotating spout.
- Hot/Cold logo on handle to indicate temperature.
- Ceramic disc carriage.
- 2 1/2" max deck thickness.
- 5/16" Staggered copper supply lines with 1/2" adapters.
- ADA compliant lever handle.
- Order RP77702 for optional escutcheon .
- Order RP50781 for coordinating soap dispenser.
- Maximum flow rate 1.5 gpm @ 60 psi.

WARRANTY

- Lifetime limited warranty on parts (other than electronic parts and batteries) and finishes; or, for commercial users, for 5 years from the date of purchase.

COMPLIES WITH

- ASME A112.18.1 / CSA B125.1

 Indicates compliance to ICC/ANSI A117.1

Verified compliant with 0.25% weighted average Pb content regulations

Delta reserves the right (1) to make changes in specifications and materials, and (2) to change or discontinue models, both without notice or obligation. Dimensions are for reference only. See current full-line price book or www.deltafaucet.com for finish options and product availability.

