

2131LF



Submitted Model No.: _____

Specific Features: _____

SPECIALTY FAUCETS

- Two Handle Laundry Faucet
- Deck Mount
- 2 or 3 Hole Sink Applications
- 4" (102 mm) Centerset

STANDARD SPECIFICATIONS:

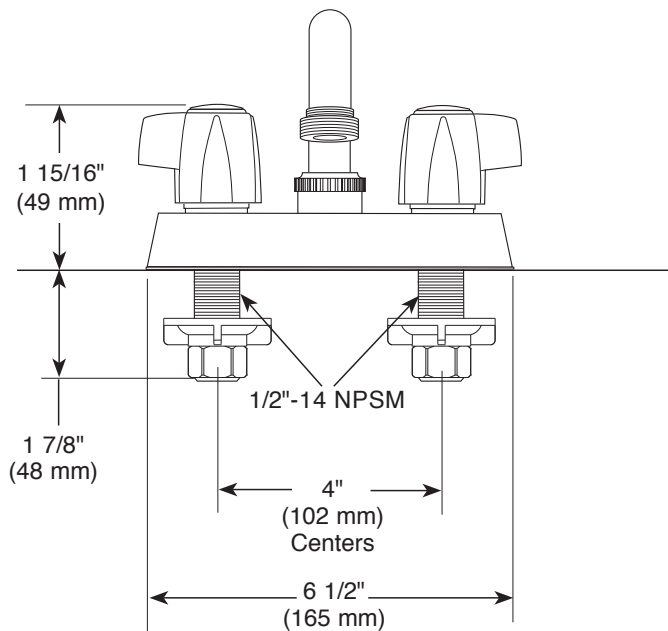
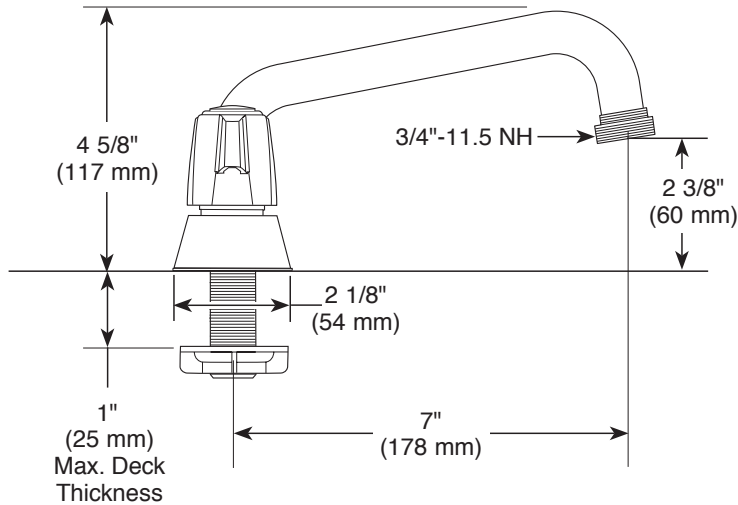
- Two handle deck faucets for exposed mounting on 2 or 3 hole sinks.
- Solid brass cast body.
- 4" (102 mm) Centerset.
- 7" (178 mm) long, 4 5/8" (117 mm) high spout swings 360°.
- Hot and cold stems are interchangeable.
- Control mechanism shall be of the rotating cylinder type with stainless steel plate and 90° rotation, with replaceable non-metallic seats.
- 1/2"-14 NPSM threaded male shanks.
- Spout has hose thread.

WARRANTY

- Lifetime Faucet and Finish Limited Warranty to the original consumer purchaser to be free from defects in material and workmanship.
- 5 Year Limited Warranty for usage in all industrial, commercial and business applications.

COMPLIES WITH:

- ASME A112.18.1 / CSA B125.1
- Indicates compliance to ICC/ANSI A117.1
- Verified compliant with .25% weighted average Pb content regulations.



Delta reserves the right (1) to make changes in specifications and materials, and (2) to change or discontinue models, both without notice or obligation. Dimensions are for reference only. See full-line price book or www.deltafaucet.com for finish options and product availability.

DSP-S-2131LF Rev. B



55 E. 111th Street, Indianapolis, Indiana 46280
350 South Edgeware Road, St. Thomas, ON N5P 4L1
© 2016 Masco Corporation of Indiana