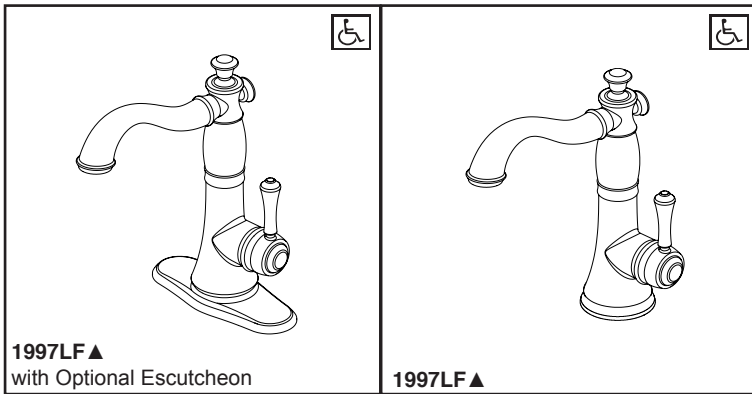




BAR & PREP SINK FAUCETS

- Cassidy™ Collection
- Single Handle Deck Mount
- 1 or 3 Hole 4" Installation

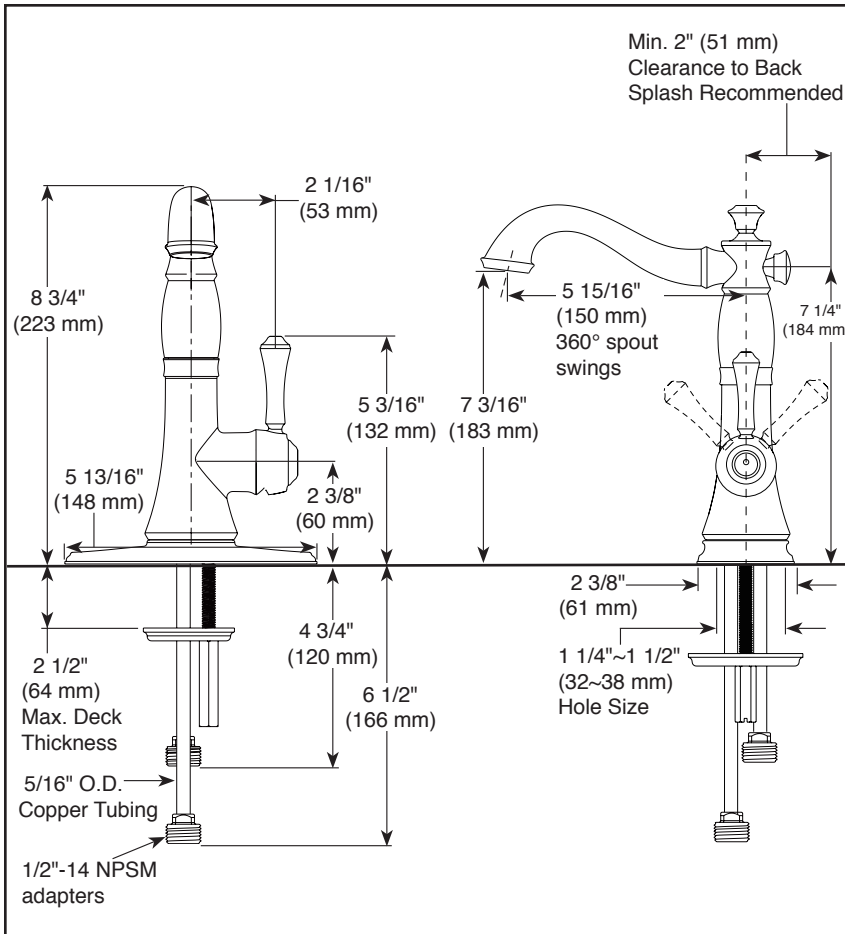


1997LF ▲
with Optional Escutcheon

1997LF ▲

Submitted Model No.: _____

Specific Features: _____



▲ Designate proper finish suffix

STANDARD SPECIFICATIONS:

- Solid brass fabricated body.
- 360° Rotating spout.
- Ceramic disc carriage.
- 2 1/2" max deck thickness.
- 5/16" Staggered copper supply lines with 1/2" adapters.
- ADA compliant lever handle.
- Order RP72711 for optional escutcheon .
- Order RP71543 for coordinating soap dispenser.
- Maximum flow rate 1.5 gpm @ 60 psi.

WARRANTY

- Lifetime limited warranty on parts (other than electronic parts and batteries) and finishes; or, for commercial users, for 5 years from the date of purchase.

COMPLIES WITH

- ASME A112.18.1 / CSA B125.1



Indicates compliance to
ICC/ANSI A117.1

Verified compliant with 0.25% weighted average Pb content regulations

Delta reserves the right (1) to make changes in specifications and materials, and (2) to change or discontinue models, both without notice or obligation. Dimensions are for reference only. See current full-line price book or www.deltafaucet.com for finish options and product availability.

