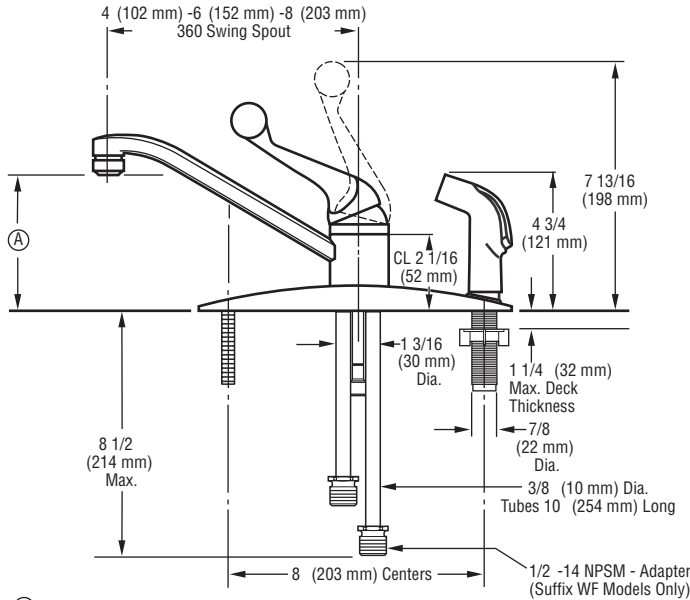


300LF-WF



Submitted Model No.:

Specific Features:



Dimension A

- 1 7/8 (48 mm) - 4 (102 mm) Spout (RP5881)
- 3 1/2 (89 mm) - 6 (152 mm) Spout (RP 9633)
- 5 (127 mm) - 8 (203 mm) Spout (Standard)



KITCHEN FAUCETS

- Classic Series
- Single Handle Deck Mount
- 3 Hole Sink Applications

STANDARD SPECIFICATIONS:

- Solid brass fabricated body.
- Standard 8" (203 mm) long spout swings 360°.
- Control handle shall return to neutral position when faucet is turned off.
- Lever handle. Control mechanism shall be of the rotating stainless steel ball type with replaceable non-metallic seats operating in stainless steel lined sockets.
- Anti-Siphon device as integral part of valve body.
- Vegetable sprayer hose with chrome sprayhead installation.
- Models supplied with 1/2"-14 NPSM adapters.
- Max. 1.80 gpm @ 60 psi, 6.8 L/min @ 414 kPa

WARRANTY

- Lifetime limited warranty on parts (other than electronic parts and batteries) and finishes: or, for commercial users, for 5 years from date of purchase.
- 5 year limited warranty on electronic parts (other than batteries); or, for commercial users, for 1 year from the date of purchase. No warranty is provided on batteries.

COMPLIES WITH:

- ASME A112.18.1 / CSA B125.1
- Indicates compliance to ICC/ANSI A117.1
- Verified compliant with .25% weighted average Pb content regulations.

