

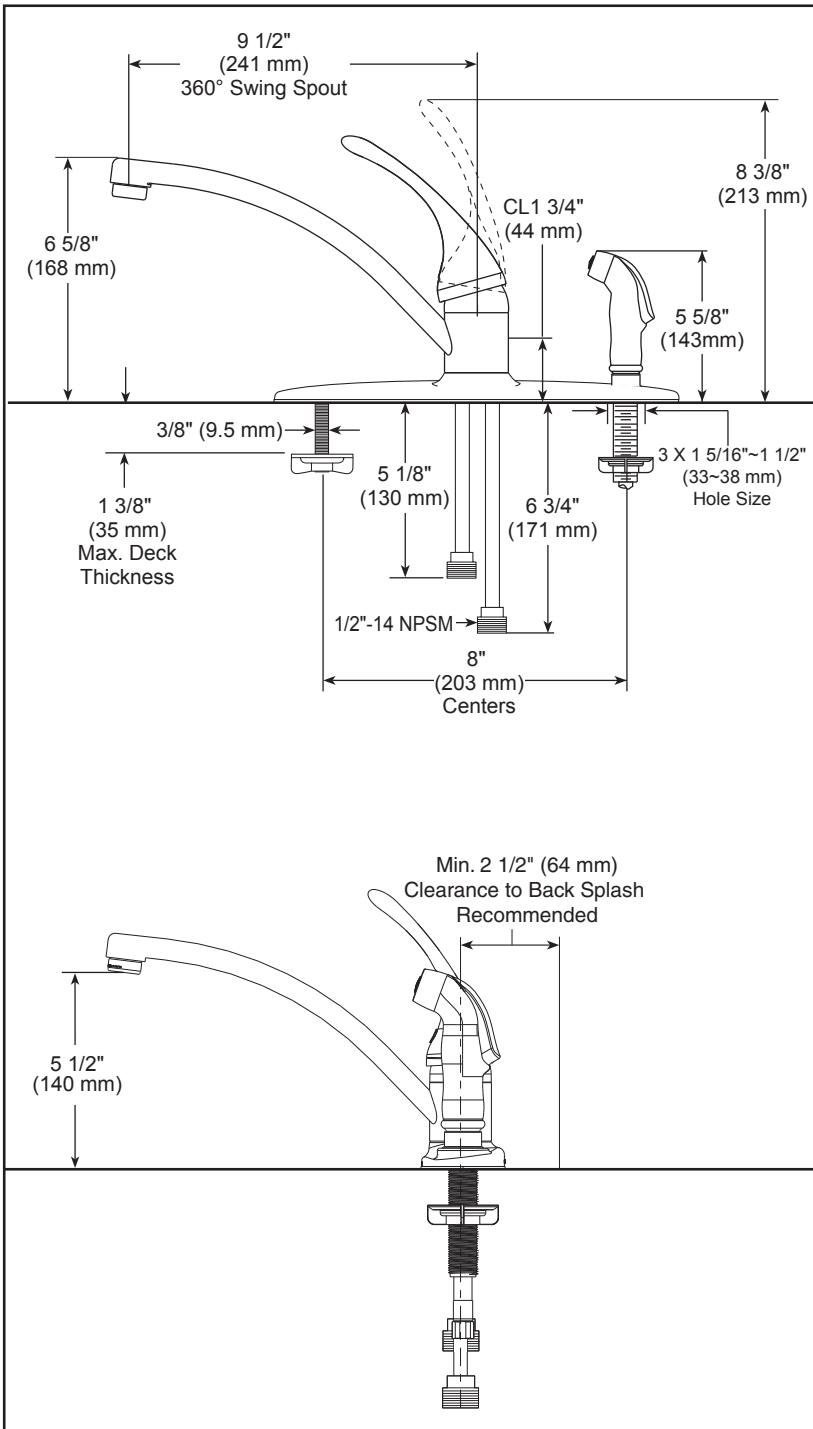
KITCHEN FAUCETS

- Single Handle Deck Mount
- 3 Hole Sink Applications
- 8" Centerset

STANDARD SPECIFICATIONS:

- 8" (203 mm) centerset.
- 9 1/2" (241 mm) long, 6 5/8" (168 mm) high spout swings 360°.
- All operating parts shall be replaceable from the top.
- Hot and cold stems are interchangeable.
- 1/2"-14 NPSM threaded male inlet adapters.
- Lever handle control mechanism is the rotating stainless steel ball type with replaceable non-metallic seats.
- Models with spray attachment have antisiphon device as integral part of valve body.
- Max. 1.80 gpm @ 60 psi, 6.8 L/min @ 414 kPa

Submitted Model No.: _____
 Specific Features: _____



WARRANTY

- Lifetime limited warranty on parts (other than electronic parts and batteries) and finishes; or, for commercial users, for 5 years from date of purchase.
- 5 year limited warranty on electronic parts (other than batteries); or, for commercial users, for 1 year from the date of purchase. No warranty is provided on batteries.



COMPLIES WITH:

- ASME A112.18.1 / CSA B125.1
- ♿ Indicates compliance to ICC/ANSI A117.1

Verified compliant with 0.25% weighted average Pb content regulations.

▲ Designate proper finish suffix

Delta reserves the right (1) to make changes in specifications and materials, and (2) to change or discontinue models, both without notice or obligation. Dimensions are for reference only. See current full-line price book or www.deltafaucet.com for finish options and product availability.

DSP-K-B3310LF Rev. F



55 E 111th Street, Indianapolis, Indiana 46280
 350 South Edgeware Road, St. Thomas, ON N5P 4L1
 © 2015 Masco Corporation of Indiana