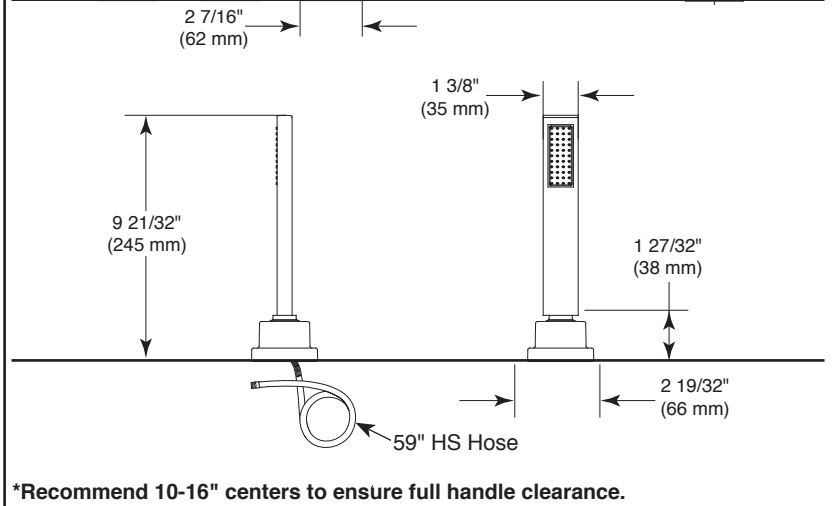
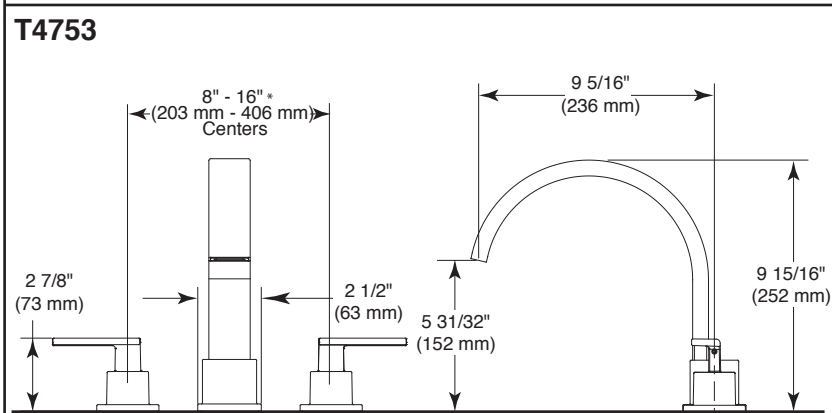
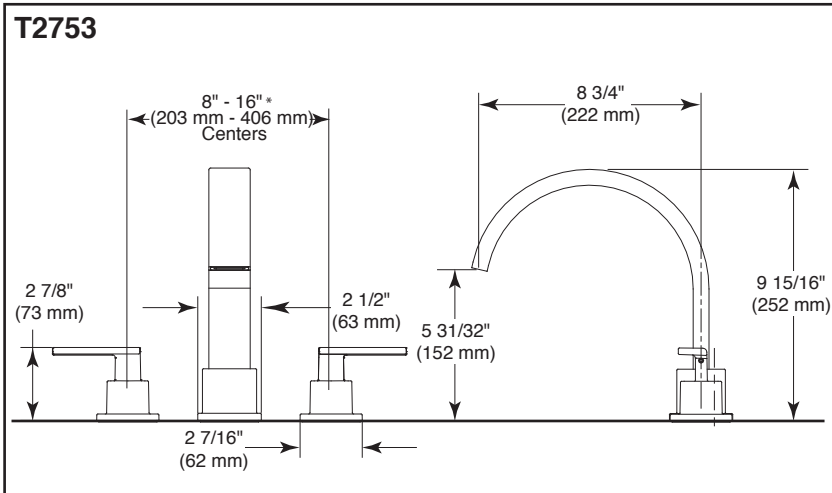


ROMAN TUB/WHIRLPOOL FAUCET TRIM

Submitted Model No.: _____
 Specific Features: _____

- Vero™ Collection
- Three Hole Installation (T2753 Series)
- Four Hole Installation (T4753 Series)



*Recommend 10-16" centers to ensure full handle clearance.

▲ Designate proper finish suffix

Delta reserves the right (1) to make changes in specifications and materials, and (2) to change or discontinue models, both without notice or obligation. Dimensions are for reference only. See full-line price book or www.deltafaucet.com for finish options and product availability.

DSP-B-T2753 Rev. C

STANDARD SPECIFICATIONS

- Handshower flow rate 2.00 gpm @ 80 psi, 7.60 L/min @ 550 kPa
- Trim only for two handle Roman Tub faucet for concealed mounting
- Temperature and volume controlled with handles.
- Rough-In kit must also be ordered to complete installation
 - R4707 for four hole
 - R2700 or R2707 for three hole
 - RP23601 for three hole 10" fixed installation
 There are separate specification sheets on each rough-in kit if more details are required
- Handshower includes double check valves for backflow prevention (T4753)

WARRANTY

- Lifetime limited warranty on parts (other than electronic parts and batteries) and finishes: or, for commercial users, for 5 years from date of purchase.
- 5 year limited warranty on electronic parts (other than batteries); or, for commercial users, for 1 year from the date of purchase. No warranty is provided on batteries.



COMPLIES WITH:

- ASME A112.18.1 / CSA B125.1
- ♿ Indicates ADA compliance to ICC/ANSI A117.1 - Valve control only
- EPA WaterSense® - Applies to handshower only 82305*



55 E. 111th Street, Indianapolis, Indiana 46280
 350 South Edgeware Rd, St. Thomas, ON N5P 4L1
 © 2016 Masco Corporation of Indiana