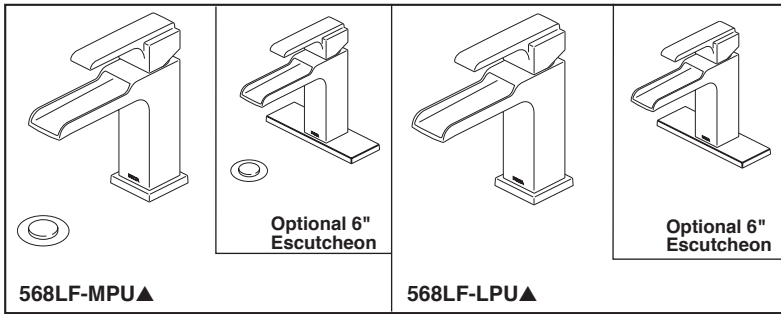




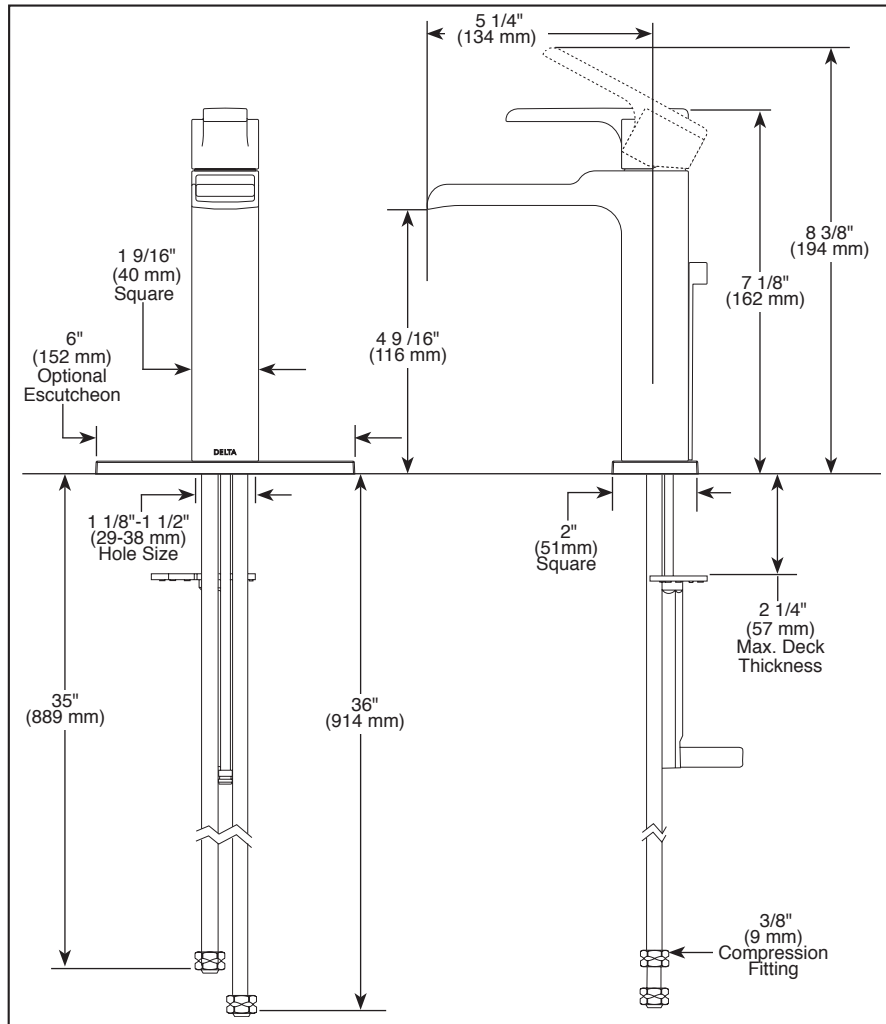
see what Delta can do<sup>SM</sup>

## BATHROOM FAUCET

- Ara<sup>®</sup> Bath Collection
- Single Handle Deck Mount



Submitted Model No.: \_\_\_\_\_  
 Specific Features: \_\_\_\_\_



### STANDARD SPECIFICATIONS:

- Max. flow rate 1.2 gpm @ 60 psi, 4.5 L/min @ 414 kPa
- 1 or 3 hole mount (escutcheon optional, included)
- Ceramic cartridge
- Red/blue indicator markings
- Control handle shall return to neutral position when valve is turned off
- 3/8" O.D. straight, staggered PEX supply tubes
- MPU models have metal drain with pop-up type fitting with plated flange and stopper
- Solid brass fabricated spout

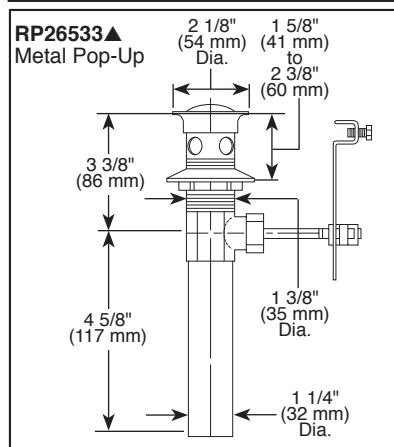
### WARRANTY

- Parts and Finish - Lifetime limited warranty; or for commercial purchasers, 10 years for multi-family residential (apartments and condominiums) and 5 years for all other commercial uses, in each case from the date of purchase.
- Electronic Parts and Batteries (if applicable) - 5 years from the date of purchase; or for commercial purchasers, 1 year from the date of purchase. No warranty is provided on batteries.



### COMPLIES WITH:

- ASME A112.18.1 / CSA B125.1
- ASME A112.18.2 / CSA B125.2
- Indicates compliance to ICC/ANSI A117.1 - Valve control only
- EPA WaterSense<sup>®</sup>
- Verified compliant with .25% weighted average Pb content regulations.



▲ Designate Proper Finish Suffix

Delta reserves the right (1) to make changes in specifications and materials, and (2) to change or discontinue models, both without notice or obligation. Dimensions are for reference only. See current full-line price book or [www.deltafaucet.com](http://www.deltafaucet.com) for finish options and product availability.

### Delta Faucet Company

55 E. 111th Street, Indianapolis, IN 46280  
 350 South Edgeware Road, St. Thomas, ON N5P 4L1  
 © 2020 Delta Faucet Company