

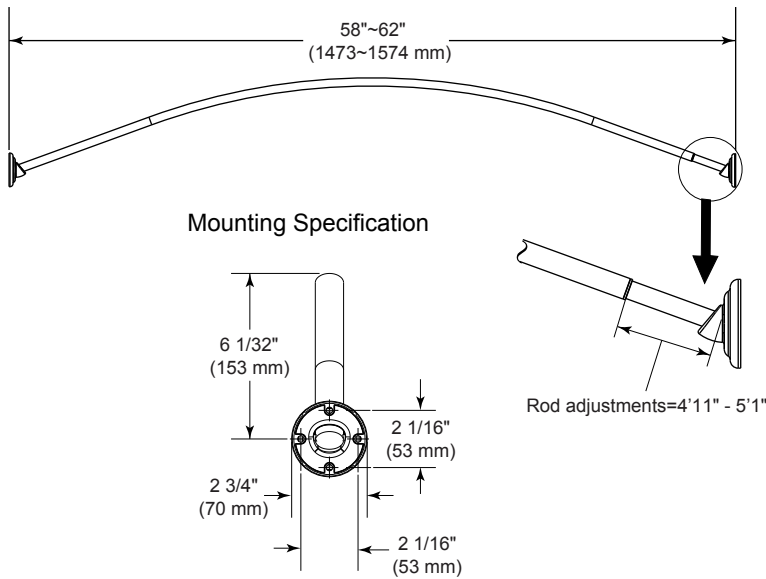
ACCESSORIES

■ Curved Shower Rods

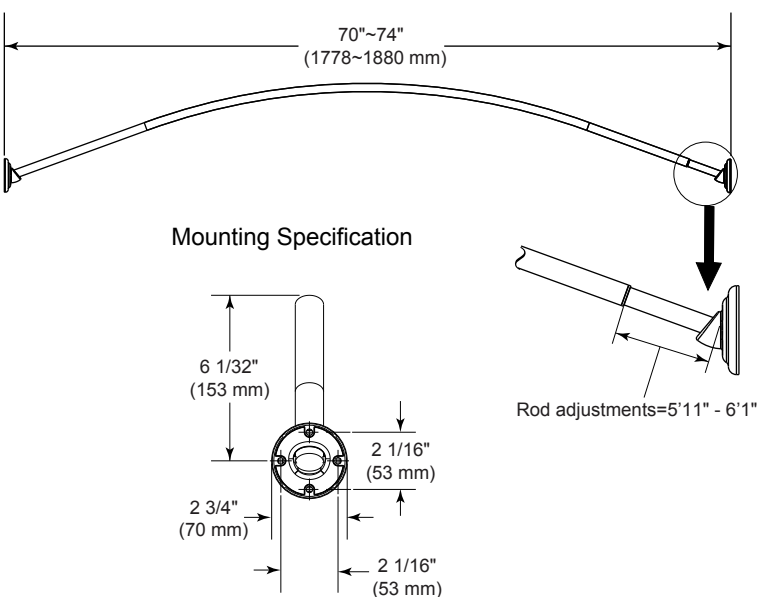
Submitted Model No.: _____

Specific Features: _____

42205-SS & 42205-ST



42206-SS & 42206-ST



▲ Designate proper finish suffix

Delta reserves the right (1) to make changes in specifications and materials, and (2) to change or discontinue models, both without notice or obligation. Dimensions are for reference only. See full-line price book or www.specselect.com for finish options and product availability.

STANDARD SPECIFICATIONS

- Adjustable curved shower rods.
- Oval design prevents rotation and wet floors.
- 1" tubing stainless steel.
- 6" bow.
- Wood blocking is preferable behind all wall surfaces. If wood blocking is not available, plugs provided with screws.
- Mounting hardware included with product.

WARRANTY

- Lifetime Faucet and Finish Limited Warranty to the Original consumer purchaser to be free from defects in material and workmanship.
- 5 Year Limited Warranty for usage in all Industrial, Commercial and business applications.



Liberty Hardware Manufacturing Corporation
 140 Business Park Drive
 Winston-Salem, NC 27107
 800.542.3789
www.libertyhardware.com
 ©2012 LHMC, A Masco Company