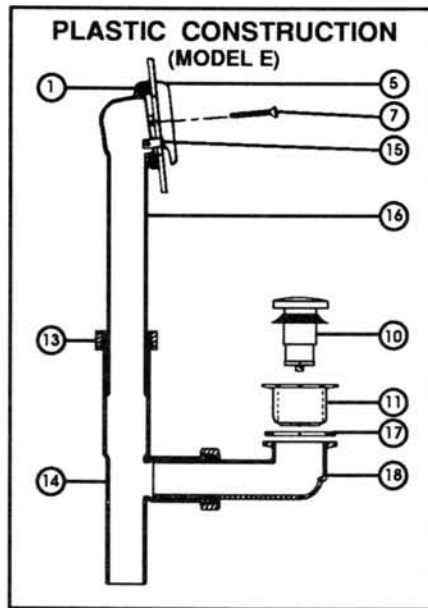
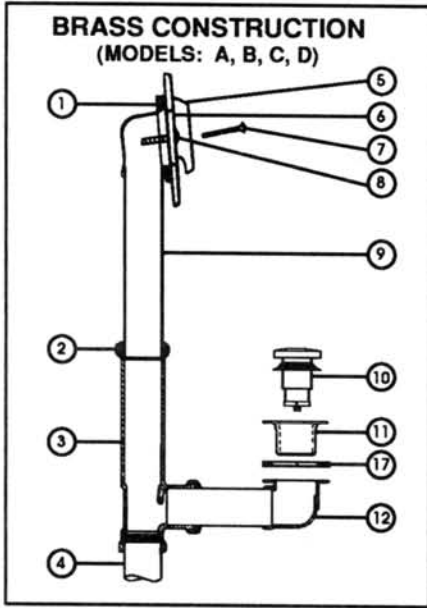


WRITE PURCHASED MODEL NUMBER HERE FOR FUTURE REFERENCE.

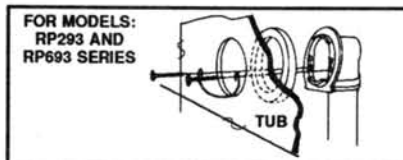
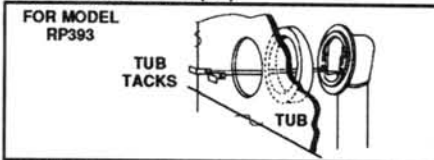


MODEL LEGEND		
A = RP293	C = RP693 PB	E = RP393
B = RP693AB	D = RP693 SB	

INSTALLATION INSTRUCTIONS

SHUT OFF WATER SUPPLIES

1. Apply putty to underside of the waste plug (11) and insert into drain hole of tub. From underneath tub slip gasket (17) up over the waste plug. Secure the drain ell (12) or (18) to the waste plug by screwing onto the waste plug. Wipe off excess putty.
2. Assemble the beveled gasket (1) to overflow ell (9) or (16) and adjust to fit the angle of tub. Attach tee (3) or (14) to drain ell and overflow ell but do not tighten the coupling nuts onto the tee.
3. **FOR MODEL RP393;** Attach overflow ell (16) to tub by inserting tub tacks (15) into slots on both sides of the overflow ell.
- FOR MODELS RP293 AND RP693 SERIES;** Attach overflow ell (9) to tube using retainer wire (6) and retainer screws (8).



4. Tighten coupling nuts on tee.
5. Align the overflow plate (5) with the threaded holes in the overflow elbow and insert screw (7), tighten.
6. Screw the stopper assembly (10) into waste plug hand tight.

KEY	PART DESCRIPTION	ORDER NUMBER	MODELS				
			A	B	C	D	E
1.	Beveled Gasket	RP7420	●	●	●	●	●
2.	Coupling Nuts & Gaskets	RP7903	●	●	●	●	●
3.	Tee	RP7902	●	●	●	●	●
4.	Tailpiece	RP7441	●	●	●	●	●
		RP7897	●				
5.	Overflow Plate Assembly	RP7424	●				●
		RP7424 PB			●		
		RP7424 SB				●	
		RP7424 AB			●		
6.	Retainer Wire	RP7898	●	●	●	●	●
7.	Overflow Plate Screws	RP6404	●				●
		RP6404 PB			●		
		RP6404 SB				●	
		RP6404 AB			●		
8.	Retainer Screws	RP7439	●	●	●	●	●
9.	Overflow Ell	RP7899	●				
		RP10803		●	●	●	
10.	Stopper Assembly	RP16686	●				●
		RP16686 AB			●		
		RP16686 PB				●	
		RP16686 SB					●
11.	Waste Plug	RP16687	●				●
		RP16687 AB		●			
		RP16687 PB			●		
		RP16687 SB				●	
12.	Drain Ell	RP16684		●	●	●	●
		RP16685	●				
13.	Coupling Nuts & Gaskets	RP7421					●
14.	Tee	RP7414					●
15.	Tab Tacks	RP7435					●
16.	Overflow Ell	RP7410					●
17.	Gasket	RP7900					●
18.	Drain Ell	RP7416					●

MAINTENANCE



WHEN PERFORMING ROUTINE MAINTENANCE, DO NOT VOID YOUR WARRANTY BY INSTALLING NON-GENUINE PARTS. USE ONLY AUTHORIZED PARTS THAT CARRY THE DELTA® GENUINE PARTS LOGO.

CARE INSTRUCTIONS

Your Delta® Faucet bath waste is designed and engineered in accordance with the highest quality and performance standards. With proper care, it will give you years of trouble free service. Care should be given to the cleaning of this product. Although its finish is extremely durable, it can be damaged by harsh abrasives or polish. To clean, wipe gently with a damp cloth and blot dry with a soft towel.

LEAVE THIS INSTRUCTION SHEET WITH INSTALLED BATH WASTE!

DELTA LIMITED WARRANTY

All parts of the *Delta* bath waste are warranted to the original consumer purchaser to be free from defects in material and workmanship for a period of two (2) years. This warranty is made to the original consumer purchaser and shall be effective from date of purchase as shown on purchaser's receipt.

Delta will replace, FREE OF CHARGE, during the warranty period, any part which proves defective in material and/or workmanship under normal installation, use and service. Replacement parts can be obtained from your local dealer or distributor listed in the telephone directory or by returning the part along with the purchaser's receipt to our factory, TRANSPORTATION CHARGES PREPAID, at the address listed. THIS WARRANTY IS THE ONLY EXPRESS WARRANTY MADE BY *DELTA*. ANY CLAIMS MADE UNDER THIS WARRANTY MUST BE MADE DURING THE TWO YEAR PERIOD REFERRED TO ABOVE. ANY IMPLIED WARRANTIES, INCLUDING THE IMPLIED WARRANTY OF MERCHANTABILITY OR FITNESS FOR A PARTICULAR PURPOSE, ARE LIMITED IN DURATION TO THE DURATION OF THIS WARRANTY. LABOR CHARGES AND/OR DAMAGE INCURRED IN INSTALLATION, REPAIR OR REPLACEMENT AS WELL AS INCIDENTAL AND CONSEQUENTIAL DAMAGES CONNECTED THEREWITH ARE EXCLUDED AND WILL NOT BE PAID BY *DELTA*.

Some states do not allow limitations on how long an implied warranty lasts, or the exclusion or limitation of incidental or consequential damages, so the above limitations or exclusions may not apply to you.

This warranty gives you specific legal rights, and you may also have other rights which vary from state to state.

This warranty is void for any damage to this faucet due to misuse, abuse, neglect, accident, improper installation, any use violative of instructions furnished by us or any use of replacement parts other than genuine *Delta* parts.

Inquiries: 55 E 111th Street, P.O. Box 40980, Indianapolis, Indiana 46280 (317) 848-1812



A Division of Masco Corporation of Indiana
Route 46 West P.O. Box 47
Greensburg, Indiana 47240

Rev. 1-90

16688-A