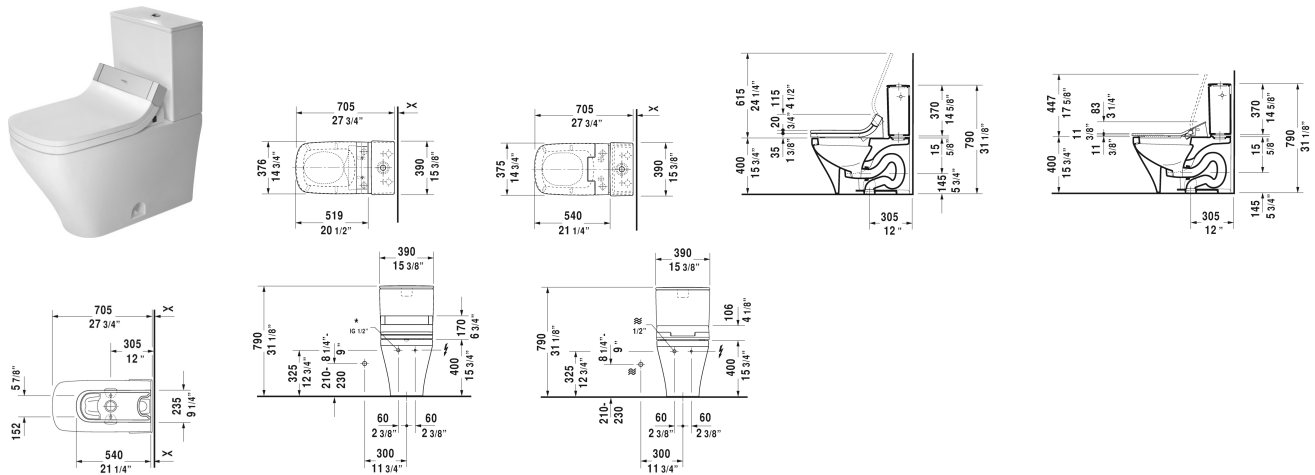


DuraStyle Two-Piece toilet # 216051..00 / 216051..001 / 216051..85 / 216051..851

< 14 1/8" Inch >



Two-Piece toilet	Dimension	Weight	Order number
US-version toilet, syphonic, only in combination with SensoWash, 12" rough-in, connecting elements for SensoWash with concealed connections included, vertical outlet, cUPC listed			
Colors			
00 White 20 HygieneGlaze (an antibacterial ceramic glaze that provides almost indefinite effectiveness)			
Variant			
◆ 1.32/0.92 gpf, with dual flush piston valve, top flush	14 1/8" x 27 1/2" Inch	92 lb	216051..00
◆ 1.32/0.92 gpf, with dual flush piston valve, top flush	14 1/8" x 27 1/2" Inch	92 lb	216051..001
◆ 1.28 gpf, with Single Flush piston valve, top flush	14 1/8" x 27 1/2" Inch	92 lb	216051..85
◆ 1.28 gpf, with Single Flush piston valve, top flush	14 1/8" x 27 1/2" Inch	92 lb	216051..851
Mounting set for One-piece and Two-piece toilets, 1/2", US-version		1.1 lb	001417
Accessory for ceramics			
Tank for bottom left supply, cUPC listed	15 3/8" x 6 3/4" Inch	30 lb	093520
Suitable products			
SensoWash DuraStyle C by Starck shower-toilet with concealed connections, remote control included, power actuated lid and seat, rear-, front and oscillating wash, individual adjustment of water-, air- and seat surface temperature as well as nozzle position and jet strength, self-cleaning wand, 2 individually programmable user profiles, night light, Quick release: easy seat unit removal and attachment, on / off-button, cIAPMO®ELECTRICAL, 14 3/4" x 20 1/2" Inch	14 3/4" x 20 1/2" Inch		610200

DuraStyle Two-Piece toilet # 216051..00 / 216051..001 / 216051..85 / 216051..851

|< 14 1/8" Inch >|

SensoWash Slim shower-toilet seat with concealed connections, remote control included, self-cleaning wand, Locking function via remote control, rear-, front and oscillating wash, with slow close, night light, Seat and lid easy removable one-handed, Automatic drainage in periods of prolonged disuse, on / off-button, clAPM0@ELECTRICAL, 14 3/4" x 21 1/4" Inch

14 3/4" x 21 1/4" Inch

611200

All drawings contain the necessary measurements which are subject to standard tolerances. They are stated in inch & mm and are non-binding. Exact measurements, in particular for customized installation scenarios, can only be taken from the finished ceramic piece.