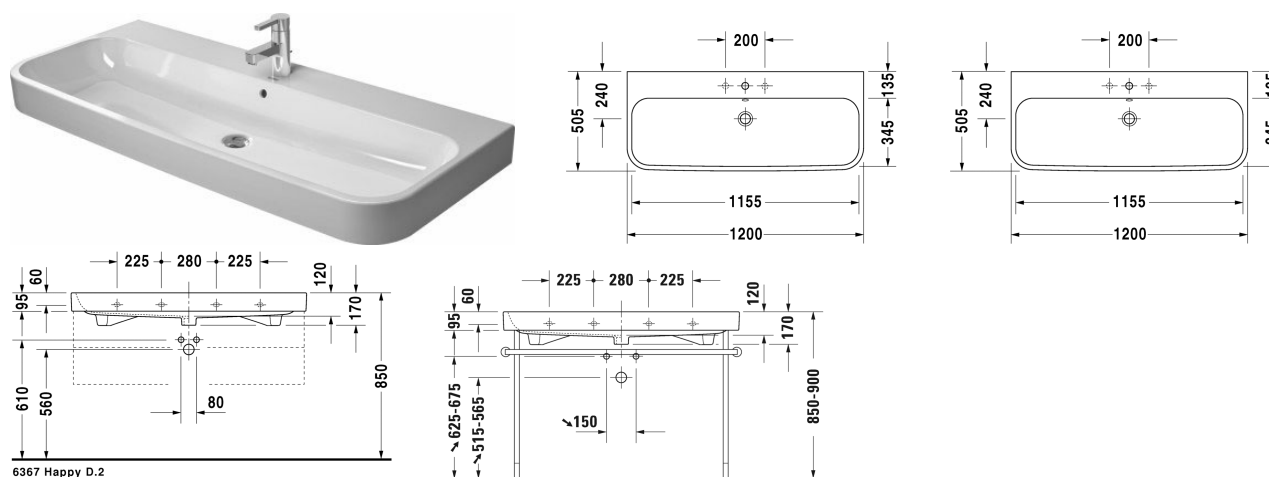


## Happy D.2 Washbasin, furniture washbasin # 2318120000

| < 1200 mm > |



6367 Happy D.2

Washbasin, furniture washbasin	Dimension	Weight	Order number
with overflow, with tap platform, overflow clip chrome included, underneath glazed, 1200 mm			
<b>Colors</b>			
00 White Alpin			
<b>Variant</b>			
●	1200 x 505 mm	32.700 kilogram	2318120000
<b>Infobox</b>			
For mounting ceramics larger than 1200mm two sets of fixings #6951000000 are required			
Sanitary ceramics with the special WonderGliss surface finish will remain clean and attractive-looking for a long time to come. When ordering WonderGliss please add a "1" as eleventh digit to the model number.			
<b>Accessory</b>			
Space saving siphon	1 1/4" mm	0.400 kilogram	005076
Design Siphon		1.500 kilogram	005036
<b>Suitable products</b>			
Metal console chrome, height adjustable +50 mm, for washbasin # 231812,			003079
<b>Recommended faucets</b>			

Single lever basin mixer M ceramic cartridge, Projection 113 mm, flexible connection hoses 3/8", aerator adjustable, normal spray, recommended operating pressure 1 - 5 bar, with pop-up waste set,	C11020001
Single lever basin mixer M ceramic cartridge, Projection 113 mm, flexible connection hoses 3/8", aerator adjustable, normal spray, recommended operating pressure 1 - 5 bar, without pop-up waste set,	C11020002
Single lever basin mixer M FreshStart ceramic cartridge, in centre position cold water, projection 135 mm, flexible connection hoses 3/8", flow rate 5,0 l/min (3 bar), normal spray, connection size DN15, maximum temperature can be adjusted on installation, recommended operating pressure 1 - 5 bar, with pop-up waste set,	TU1021001
Single lever basin mixer M FreshStart ceramic cartridge, in centre position cold water, projection 135 mm, flexible connection hoses 3/8", flow rate 5,0 l/min (3 bar), normal spray, connection size DN15, maximum temperature can be adjusted on installation, recommended operating pressure 1 - 5 bar, without pop-up waste set,	TU1021002
Single lever basin mixer M ceramic cartridge, projection 135 mm, flexible connection hoses 3/8", flow rate 5,0 l/min (3 bar), normal spray, connection size DN15, maximum temperature can be adjusted on installation, recommended operating pressure 1 - 5 bar, without pop-up waste set,	TU1020002
Single lever basin mixer M ceramic cartridge, projection 135 mm, flexible connection hoses 3/8", flow rate 5,0 l/min (3 bar), normal spray, connection size DN15, maximum temperature can be adjusted on installation, recommended operating pressure 1 - 5 bar, with pop-up waste set,	TU1020001

*All drawings contain the necessary measurements which are subject to standard tolerances. They are stated in mm and are non-binding. Exact measurements, in particular for customised installation scenarios, can only be taken from the finished piece.*