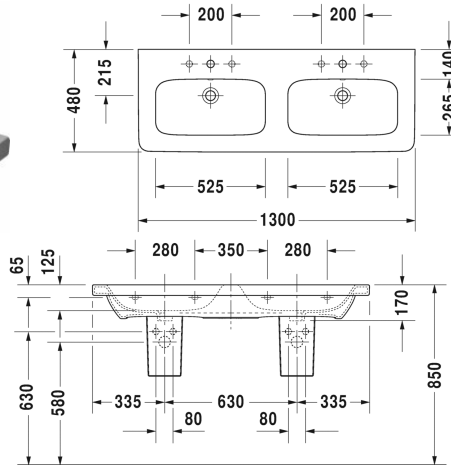
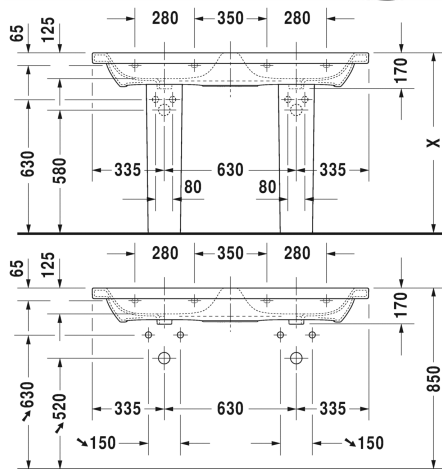


DuraStyle Double washbasin, double furniture washbasin # 2338130000

|< 1300 mm >|



Double washbasin, double furniture washbasin	Dimension	Weight	Order number
with overflow, with tap platform, underneath glazed, 1300 mm			
Colors			
00 White Alpin			
Variant			
●	1300 x 480 mm	39.000 kilogram	2338130000
Infobox			
For mounting ceramics larger than 1200mm two sets of fixings #6951000000 are required, When combined with pedestal or sipon cover, 2 of each are mandatory			
Sanitary ceramics with the special WonderGliss surface finish will remain clean and attractive-looking for a long time to come. When ordering WonderGliss please add a "1" as eleventh digit to the model number.			
Accessory			
Towel rail square tube 14 mm, for washbasin # 233813	1229 mm		003123
Push-open waste for washbasins with overflow		0.400 kilogram	005052
Siphon for washbasin with outlet pipe 300 mm	1 1/4" mm	0.600 kilogram	005026

DuraStyle Double washbasin, double furniture washbasin # 2338130000

|< 1300 mm >|

Design Siphon	1.500 kilogram	005036
Suitable products		
Siphon cover for # 231955, 231960, 231965, 232012, 232010, 232080, 232065, 233813, 232460,		085830
Pedestal for # 231955, 231960, 231965, 232012, 232010, 232080, 232065, 233813, 232460,		085829
Vanity unit wall-mounted 1 pull-out compartment, for DuraStyle # 233813, 1230 x 448 mm	1230 x 448 mm	DS6398
Vanity unit wall-mounted 2 drawers, upper drawer including cut-out for siphon and siphon cover, for DuraStyle # 233813, 1230 x 448 mm	1230 x 448 mm	DS6498
Recommended faucets		
Single lever basin mixer M ceramic cartridge, Projection 139 mm, flexible connection hoses 3/8", aerator adjustable, normal spray, chrome, maximum temperature can be adjusted on installation, recommended operating pressure 1 - 5 bar, with pop-up waste set,		B11020001
Single lever basin mixer M ceramic cartridge, Projection 139 mm, flexible connection hoses 3/8", aerator adjustable, normal spray, chrome, maximum temperature can be adjusted on installation, recommended operating pressure 1 - 5 bar, with pop-up waste set,		B21020001
Single lever basin mixer M ceramic cartridge, Projection 139 mm, flexible connection hoses 3/8", aerator adjustable, normal spray, chrome, maximum temperature can be adjusted on installation, recommended operating pressure 1 - 5 bar, without pop-up waste set,		B11020002
Single lever basin mixer M ceramic cartridge, Projection 139 mm, flexible connection hoses 3/8", aerator adjustable, normal spray, chrome, maximum temperature can be adjusted on installation, recommended operating pressure 1 - 5 bar, without pop-up waste set,		B21020002
Single lever basin mixer M ceramic cartridge, projection 122 mm, aerator with Easy-clean sprayplate, flow rate 5,0 l/min (3 bar), normal spray, connection size DN15, recommended operating pressure 1 - 5 bar, with pop-up waste set,		WA1020001
Single lever basin mixer M ceramic cartridge, projection 122 mm, aerator with Easy-clean sprayplate, flow rate 5,0 l/min (3 bar), normal spray, connection size DN15, recommended operating pressure 1 - 5 bar, without pop-up waste set,		WA1020002
Single lever basin mixer M FreshStart connection size DN15,		WA1021001
Single lever basin mixer M FreshStart connection size DN15,		WA1021002
Single lever basin mixer M MinusFlow connection size DN15,		WA1022001
Single lever basin mixer M MinusFlow connection size DN15,		WA1022002

All drawings contain the necessary measurements which are subject to standard tolerances. They are stated in mm and are non-binding. Exact measurements, in particular for customised installation scenarios, can only be taken from the finished piece.